



PIAGGIO & C.s.p.a.



## SPARE PARTS CATALOGUE



### Norge 1200 IE 8V 2010

Chassis prefix:

Engine prefix:

*NORGE*

**GU099**



## Index

Finished products.....	4
Alphanumeric index.....	5
FRAME.....	11
Table 33.01 - Frame I.....	11
Table 33.02 - Frame II.....	12
Table 33.03 - Stands.....	13
Table 33.04 - Foot rests I.....	14
Table 33.05 - Foot rests II.....	15
Table 33.06 - Gear lever.....	16
Table 33.07 - Steering.....	17
Table 33.08 - Front fork.....	18
Table 33.09 - Swing arm.....	20
Table 33.10 - Transmission complete.....	21
Table 33.11 - Trans.cpl.-Cage.....	22
Table 33.12 - Trans.cpl.-Bevel gear.....	23
Table 33.13 - Connecting rod - rear shock abs.....	24
Table 33.14 - Fuel tank.....	25
Table 33.16 - Front body I.....	26
Table 33.17 - Front body II.....	27
Table 33.18 - Electro-Windscreen II.....	28
Table 33.19 - Electro-Windscreen I.....	29
Table 33.20 - Central body.....	30
Table 33.22 - Front mudguard.....	32
Table 33.23 - Saddle-Central bod.....	33
Table 33.24 - Rear body - Mudguard.....	34
Table 33.25 - Rear body - Rear fairing.....	35
Table 33.26 - Side cases.....	36
Table 33.29 - Dashboard.....	37
Table 33.31 - Handlebar - Controls.....	38
Table 33.32 - Front master cilinder.....	39
Table 33.33 - Clutch control complete.....	40
Table 33.34 - Oil cooler.....	41
Table 33.35 - Blow-by system.....	42
Table 33.36 - Fuel supply.....	43
Table 33.37 - Air box.....	44
Table 33.38 - Exhaust unit.....	45
Table 33.39 - Internal fuel pump.....	46
Table 33.40 - Front wheel.....	47
Table 33.41 - Front brake caliper.....	48
Table 33.42 - Rear wheel.....	49
Table 33.43 - Rear master cylinder.....	50
Table 33.44 - Rear brake caliper.....	52
Table 33.45 - ABS Brake system.....	53



---

Table 33.46 - Headlight/Horn.....	54
Table 33.47 - Taillight.....	55
Table 33.48 - Electrical system I.....	56
Table 33.49 - Electrical system II.....	58
Table 33.50 - Lock hardware kit.....	59
Table 33.51 - Plate set-decal-op.handbooks.....	60
ENGINE.....	61
Table 34.52 - Crank-case.....	61
Table 34.53 - Cylinder head and valves.....	63
Table 34.54 - Drive shaft - Cylinder.....	64
Table 34.55 - Timing system.....	66
Table 34.56 - Oil pump.....	67
Table 34.57 - Oil filters.....	68
Table 34.58 - Clutch.....	69
Table 34.59 - Transmission cage.....	70
Table 34.60 - Gear box selector.....	71
Table 34.61 - Primary gear shaft.....	72
Table 34.62 - Driven shaft.....	73
Table 34.63 - Clutch shaft.....	74
Table 34.64 - Current generator.....	75
Table 34.65 - Starter motor.....	76
Table 34.66 - Throttle body.....	77
Table 34.67 - Crank-case II.....	78
Table 34.68 - Head cover.....	79
Table 34.71 - RH cylinder timing system.....	80
Table 34.72 - LH cylinder timing system.....	82
Table 34.73 - Lubrication.....	84
SPECIAL TOOLS.....	85
Table 36.67 - Specific tools I.....	85
Table 36.68 - Specific tools II.....	86



## Finished products

Code	Validity
GU9032715EUA00	
GU9032715EUA01	<b>Colore veicolo:</b> Black Competition (s.t. 883634)[bl/co] <b>Paese:</b> Europa[EU]
GU9032715EUA02	<b>Colore veicolo:</b> Grey Excalibur (s.t. 883635)[g/exc] <b>Paese:</b> Europa[EU]
GU9032715GBA01	<b>Colore veicolo:</b> Black Competition (s.t. 883634)[bl/co] <b>Paese:</b> Gran Bretagna[UK]
GU9032715GBA02	<b>Colore veicolo:</b> Grey Excalibur (s.t. 883635)[g/exc] <b>Paese:</b> Gran Bretagna[UK]



Code	No. table	Pos.	Code	No. table	Pos.	Code	No. table	Pos.
003056	33.19	17	654174	33.19	14	874622	34.72	3
006966	33.18	18	654175	33.19	16	874645	34.73	9
006976	33.19	19	655461	33.19	2	874646	34.73	7
013763	34.73	8	655463	33.19	1	8746505	34.56	1
013880	33.19	18	655465	33.19	8	874655	34.73	11
015792	34.71	5	655467	33.18	2	874669	34.73	4
015792	34.72	5	655679	33.19	5	874801	34.56	10
018639	33.19	3	825597	34.53	11	874980	34.52	26
020470Y	36.67	5	825597	34.54	11	875173	34.71	23
020672Y	36.67	12	825597	34.67	4	875173	34.72	23
020673Y	36.67	16	827018	34.53	10	875243	34.54	19
020674Y	36.67	19	827018	34.71	2	875244	34.54	19
020675Y	36.67	20	827018	34.72	2	8762874	34.54	14
020676Y	36.67	21	829122	34.57	2	877101	34.56	11
020677Y	36.67	1	829232	34.55	13	877820	34.57	6
020678Y	36.67	22	829486	34.56	5	878339	34.54	17
020689Y	36.67	23	829661	34.56	6	8787074	34.55	15
020716Y	36.67	4	833520	34.71	7	878751	34.71	13
177408	34.67	8	833520	34.72	7	878751	34.72	13
231908	33.19	11	840542	33.18	9	878868	34.71	27
237553	34.56	7	840542	33.19	13	878868	34.72	27
244585	34.72	29	843060	34.71	20	879404	34.54	25
259658	33.18	13	843060	34.72	20	879405	34.54	26
271695	33.18	12	847180	33.48	17	879865	34.53	1
274369	33.18	10	849131	34.54	18	879866	34.71	1
274369	33.19	12	849866	34.54	23	879869	34.59	5
285846	34.53	8	853215	33.07	17	879871	34.59	1
292022	33.46	4	872695	34.53	3	879872	34.52	16
292022	33.47	14	872696	34.53	4	879874	34.52	18
294278	33.46	3	872741	34.68	11	879876	34.67	1
411209	34.52	2	872742	34.68	7	879877	34.66	8
414835	34.56	9	872759	34.71	6	879878	34.66	3
434947	34.73	6	872759	34.72	6	879930	34.53	2
436438	34.53	6	873626	34.68	9	879931	34.72	1
479175	33.18	17	873631	34.71	12	879975	34.68	3
479882	33.17	9	873631	34.72	12	879987	34.68	8
484819	34.71	11	873667	34.54	2	880123	34.68	10
484819	34.72	11	873689	34.54	20	880124	34.68	1
487444	34.71	14	873689	34.71	28	880127	34.71	31
487444	34.72	14	873690	34.54	21	880127	34.72	32
487665	33.19	10	873690	34.72	28	880270	34.66	1
560110	34.52	10	873850	34.71	10	880398	34.52	1
576565	33.18	4	873850	34.72	10	880879	34.71	4
580141	33.46	2	873861	34.66	14	880881	34.72	4
584332	33.46	8	873879	34.66	7	880965	34.71	21
584332	33.47	10	873906	34.56	14	880965	34.72	21
584344	33.38	12	873928	34.55	8	883045	33.10	7
584509	33.49	14	874126	34.53	9	883079	33.38	20
598839	33.26	13	874127	34.53	5	883081	33.10	2
598839	33.37	20	874223	34.73	3	883144	34.52	24
598839	33.40	19	874238	34.73	18	883242	33.03	1
598839	33.42	14	874280	34.55	18	883246	33.26	18
598839	33.43	12	874281	34.55	11	883251	33.03	7
598839	34.58	4	874286	34.54	7	883274	33.03	6
620365	33.18	19	874287	34.54	4	883275	33.36	3
621914	34.73	12	874288	34.54	5	883284	33.01	1
639542	33.03	12	874289	34.54	6	883314	33.47	1
639687	33.48	15	874293	34.54	15	883315	34.66	17
640468	33.19	9	874482	34.56	8	883316	34.66	16
642077	34.73	22	874567	34.54	8	883493	34.68	4
642221	33.48	14	874601	34.71	19	883495	33.35	1
642243	33.48	13	874601	34.72	19	883496	33.23	5
653027	33.18	3	874621	34.54	12	88349600F2	33.23	5
653028	33.18	6	874621	34.71	3	88349600XN2	33.23	5
653156	33.18	8	874621	34.72	3	883499	33.35	5
653157	33.18	7	874622	34.54	12	883500	33.35	6
654172	33.19	6	874622	34.71	3	883514	33.17	1



Code	No. table	Pos.	Code	No. table	Pos.	Code	No. table	Pos.
88351400F2	33.17	1	886166	33.45	3	976342	34.54	22
88351400XN2	33.17	1	886209	33.48	1	976350	34.71	18
883515	33.17	2	886209	33.49	1	976350	34.72	18
88351500F2	33.17	2	886229	33.31	5	976352	34.63	1
88351500XN2	33.17	2	886235	33.34	8	976355	34.55	6
883516	33.17	4	886239	33.51	9	976359	34.71	8
883517	33.17	3	886255	34.64	1	976359	34.72	8
883518	33.20	11	886340	33.51	6	976360	34.71	9
88351800F2	33.20	11	886371	33.38	1	976360	34.72	9
88351800XN2	33.20	11	886372	33.38	2	976376	33.38	3
883519	33.20	12	886594	33.34	2	976381	34.55	2
88351900F2	33.20	12	886632	33.31	14	976478	34.67	9
88351900XN2	33.20	12	886633	33.31	15	976481	34.58	7
883520	33.20	18	886776	33.48	30	976484	34.58	8
883521	33.20	19	886792	33.51	8	976488	34.55	3
883522	33.51	1	890517	33.02	4	976498	34.66	5
883523	33.51	13	890517	33.23	3	976521	33.38	15
883526	33.17	16	890721	33.35	3	976522	33.38	7
88352600F2	33.17	16	890721	33.43	28	976523	33.38	8
88352600XN2	33.17	16	890979	33.46	11	976532	34.63	4
883539	33.51	11	895033	33.40	14	976533	34.63	3
883540	33.38	9	895351	33.45	4	976535	34.58	5
883541	33.38	16	895481	33.49	16	976538	34.55	10
883567	33.29	1	896011	33.40	15	976554	34.67	5
883568	33.29	1	896012	33.40	6	976556	33.48	22
883629	33.20	27	896540	34.66	20	976559	34.68	12
883629	34.68	13	896544	33.14	14	976560	34.68	6
883630	33.20	26	896544	33.24	14	976564	34.58	10
883630	34.68	14	896544	34.59	16	976566	34.66	6
883682	33.24	3	897580	33.29	11	976572	33.10	1
883720	33.29	18	897581	33.29	10	976581	33.12	1
883744	33.02	1	897582	33.29	2	976589	34.71	17
883747	33.17	19	897585	33.29	9	976589	34.72	17
883751	33.46	14	897599	34.73	1	976591	34.68	2
883790	33.18	11	897602	33.03	10	976592	34.73	5
883795	33.19	7	897671	33.07	1	976593	34.58	12
883799	33.48	27	897771	33.42	8	976594	34.58	12
883810	33.18	1	898050	33.34	9	976595	34.58	12
883811	33.18	5	898051	33.20	9	976596	34.58	12
883816	33.46	1	898128	33.31	9	976597	34.73	19
883818	33.49	2	898129	33.31	1	976635	34.57	8
883819	33.49	3	898244	33.34	12	976636	34.57	7
883820	33.48	2	898245	33.07	18	976649	34.55	17
883824	33.23	1	898254	33.20	28	976665	34.55	16
883828	33.24	1	898368	33.04	4	976674	34.71	15
883838	33.45	1	898369	33.04	10	976674	34.72	15
883839	33.45	2	898401	33.07	16	976680	34.73	15
883840	33.45	5	969323	34.73	10	976681	34.73	17
883841	33.45	6	976053	34.58	2	976695	34.58	1
883843	33.38	24	976177	34.61	4	976696	34.58	14
883853	33.41	1	976178	34.62	7	976703	34.52	19
883854	33.41	2	976179	34.61	9	9769685	34.52	30
883855	33.13	1	976180	34.62	11	976976	34.59	17
883889	33.20	3	976304	34.54	10	977041	33.43	14
88388900F2	33.20	3	976311	34.54	12	977056	33.42	10
88388900XN2	33.20	3	976311	34.71	3	977080	33.03	11
883890	33.20	1	976311	34.72	3	977100	33.16	1
88389000F2	33.20	1	976312	34.54	9	9771000XN2	33.16	1
88389000XN2	33.20	1	976330	34.55	1	977100F2	33.16	1
883891	33.20	2	976331	34.55	4	977119	33.17	14
883946	33.20	20	976334	34.55	9	977121	33.17	13
883947	33.20	21	976337	34.71	26	977125	33.17	10
883977	33.20	15	976337	34.72	26	977126	33.17	11
883978	33.20	16	976338	34.71	25	97720100XN2	33.26	2
886122	34.73	14	976338	34.72	25	977201F2	33.26	2
886123	33.34	1	976341	34.71	24	97720200XN2	33.26	3
886160	33.31	11	976341	34.72	24	977202F2	33.26	3



Code	No. table	Pos.	Code	No. table	Pos.	Code	No. table	Pos.
977218	33.26	5	AP8102502	33.23	12	AP8123642	33.07	5
977261	33.09	1	AP8102520	33.35	4	AP8123643	33.07	3
977303	33.26	4	AP8102523	33.23	11	AP8123644	33.07	6
977619	33.20	13	AP8102524	33.03	17	AP8123655	33.08	9
977623	33.20	14	AP8102913	33.23	8	AP8124768	33.49	13
977628	33.31	19	AP8102914	33.23	7	AP8124936	33.48	26
977629	33.31	20	AP8104211	33.37	2	AP8124976	33.47	6
977638	33.19	4	AP8104451	33.14	15	AP8125773	33.40	4
977644	33.18	20	AP8104572	33.31	7	AP8125777	33.40	3
977645	33.18	21	AP8104666	33.14	13	AP8125779	33.40	5
977666	33.50	1	AP8104921	33.31	16	AP8125791	33.40	9
97770600XN2	33.26	1	AP8104922	33.31	8	AP8127469	33.40	18
977706F2	33.26	1	AP8110066	33.13	5	AP8127552	33.47	9
977735	33.26	9	AP8110068	33.13	6	AP8128189	33.40	16
977740	33.31	21	AP8110077	33.07	8	AP8133594	33.33	8
977809	33.01	7	AP8112811	33.49	9	AP8133614	33.41	3
977906	33.31	12	AP8112996	33.43	27	AP8133945	33.41	4
977918	33.50	6	AP8113003	33.45	7	AP8133945	33.45	9
978220	33.26	19	AP8113004	33.33	9	AP8134378	33.38	18
978220	33.50	5	AP8113004	33.45	8	AP8134448	33.24	8
978427	33.46	6	AP8113070	33.45	10	AP8134451	33.04	9
978428	33.46	5	AP8113288	33.43	3	AP8134838	33.04	15
978571	33.46	7	AP8113594	33.43	2	AP8135608	33.13	8
978606	33.32	1	AP8113993	33.32	5	AP8135924	33.13	4
978607	33.33	1	AP8113993	33.33	4	AP8140145	36.68	1
978739	34.58	3	AP8113995	33.32	3	AP8140146	36.68	2
978825	33.39	1	AP8113997	33.33	5	AP8140147	36.68	3
978854	34.73	16	AP8113998	33.33	6	AP8140148	36.68	4
978882	33.51	10	AP8117200	33.49	5	AP8140149	36.68	5
981007	34.54	13	AP8120030	33.02	6	AP8140150	36.68	6
981008	34.54	1	AP8120030	33.20	29	AP8140151	36.68	7
981009	34.54	3	AP8120030	33.34	4	AP8140179	36.67	11
981010	34.66	2	AP8120030	33.37	12	AP8140190	36.68	1
981046	33.33	2	AP8120030	33.45	11	AP8144007	33.06	7
981050	33.32	2	AP8120030	33.48	5	AP8144007	33.43	25
981085	33.08	20	AP8120177	33.49	6	AP8144038	33.37	16
981087	33.29	8	AP8120178	33.43	13	AP8144046	33.49	15
981087	33.50	7	AP8120405	33.20	17	AP8144071	33.38	19
981115	34.57	15	AP8120405	33.47	4	AP8144164	33.37	7
981154	33.08	1	AP8120428	33.37	19	AP8144487	33.03	21
981155	33.08	30	AP8120455	33.25	16	AP8144553	33.49	7
981156	33.08	2	AP8120485	33.12	7	AP8144565	33.18	14
981157	33.08	15	AP8120594	33.20	4	AP8144565	33.29	7
981158	33.08	19	AP8120615	33.37	4	AP8144629	33.26	7
981159	33.08	26	AP8120876	33.37	18	AP8145034	33.04	6
AP4ADN000007	34.52	20	AP8120912	33.06	3	AP8145035	33.04	8
AP8101586	33.35	8	AP8120912	33.43	20	AP8150015	33.26	15
AP8101595	33.14	12	AP8120965	33.14	11	AP8150046	33.05	12
AP8101595	33.24	15	AP8121096	33.25	15	AP8150046	34.67	10
AP8101595	33.37	17	AP8121098	33.12	6	AP8150248	33.34	7
AP8101595	33.43	5	AP8121133	33.04	12	AP8150252	33.34	11
AP8101595	33.45	16	AP8121155	33.13	10	AP8150255	33.29	4
AP8101595	34.59	15	AP8121170	33.38	13	AP8150292	33.03	22
AP8101861	33.04	13	AP8121205	33.07	9	AP8150292	33.13	13
AP8101968	33.43	16	AP8121207	33.07	4	AP8150324	33.20	5
AP8102375	33.16	2	AP8121218	33.10	4	AP8150333	33.26	10
AP8102375	33.17	7	AP8121221	33.06	2	AP8150421	33.37	13
AP8102375	33.20	23	AP8121221	33.43	19	AP8150429	33.26	14
AP8102375	33.20	6	AP8121223	33.43	24	AP8150432	33.01	11
AP8102375	33.22	3	AP8121467	33.03	2	AP8150450	33.17	5
AP8102375	33.24	6	AP8121567	33.04	1	AP8150462	33.06	5
AP8102375	33.25	4	AP8121582	33.08	24	AP8150462	33.43	22
AP8102375	33.34	10	AP8121795	33.17	8	AP8150493	33.29	6
AP8102381	33.17	6	AP8121804	33.14	6	AP8150493	33.46	10
AP8102381	33.18	22	AP8121927	33.43	23	AP8150497	33.08	12
AP8102381	33.29	15	AP8121994	33.03	15	AP8150500	33.20	10
AP8102381	33.46	13	AP8123641	33.07	7	AP8150509	33.29	5



Code	No. table	Pos.	Code	No. table	Pos.	Code	No. table	Pos.
AP8150509	33.35	7	AP8163094	33.08	5	CM225740	33.49	24
AP8150523	33.34	6	AP8163095	33.08	6	GU00823923140	33.03	23
AP8152001	33.03	16	AP8163096	33.08	7	GU00823950050	33.43	6
AP8152055	33.25	14	AP8163097	33.08	8	GU01003651	34.52	15
AP8152140	33.26	16	AP8163098	33.08	17	GU01106090	33.39	2
AP8152147	33.13	12	AP8163102	33.08	16	GU01108490	33.39	4
AP8152166	34.55	7	AP8163142	33.08	27	GU01154230	33.35	12
AP8152238	33.29	14	AP8178918	33.03	3	GU01154230	34.52	11
AP8152242	33.10	5	AP8201124	33.14	2	GU01154230	34.73	2
AP8152268	33.24	9	AP8201301	33.43	17	GU01154230	34.73	23
AP8152272	33.42	12	AP8201808	33.24	16	GU01161331	33.35	11
AP8152273	33.36	2	AP8201808	33.45	15	GU01161331	34.73	13
AP8152273	33.43	30	AP8202238	33.45	13	GU01528930	33.11	13
AP8152274	33.36	1	AP8212702	33.47	5	GU01528930	33.11	8
AP8152277	33.04	3	AP8220150	33.29	3	GU01528930	34.52	23
AP8152277	33.19	15	AP8220162	33.05	14	GU01528930	34.59	9
AP8152277	33.49	12	AP8220162	33.17	12	GU01573960	33.29	16
AP8152279	33.37	10	AP8220283	33.49	19	GU01576530	33.05	3
AP8152279	33.43	4	AP8220526	33.05	15	GU01609630	33.31	17
AP8152279	33.48	4	AP8220546	33.49	17	GU01612190	33.40	11
AP8152282	33.48	7	AP8221023	33.37	11	GU01659130	33.41	5
AP8152285	33.46	12	AP8221023	33.45	12	GU01659131	33.41	6
AP8152286	33.40	7	AP8221023	33.48	6	GU01721600	33.48	16
AP8152287	33.20	7	AP8221036	33.07	15	GU01722700	33.48	18
AP8152291	33.14	7	AP8221036	33.47	3	GU01722701	33.48	18
AP8152291	34.52	29	AP8221128	33.02	5	GU01722702	33.48	18
AP8152292	33.25	8	AP8221128	33.20	8	GU01722703	33.48	18
AP8152298	33.07	14	AP8221145	33.43	11	GU01722704	33.48	18
AP8152298	33.20	25	AP8221204	33.03	18	GU01722705	33.48	18
AP8152298	33.36	5	AP8221211	33.03	19	GU01731760	33.48	28
AP8152298	33.47	2	AP8221227	33.01	12	GU01929100	36.67	7
AP8152299	33.23	10	AP8221277	33.04	5	GU02107100	33.14	5
AP8152299	33.48	25	AP8221307	33.01	9	GU03013800	34.56	12
AP8152300	33.02	3	AP8221317	33.03	4	GU03270300	33.25	9
AP8152300	33.05	6	AP8221318	33.03	5	GU03270300	34.65	3
AP8152301	33.01	8	AP8224164	33.24	10	GU03604845	33.33	3
AP8152301	33.13	11	AP8224192	33.32	6	GU03609600	33.31	17
AP8152302	33.22	2	AP8224462	33.49	18	GU03617710	33.40	12
AP8152302	33.25	6	AP8706329	33.26	11	GU03617710	33.42	2
AP8152302	33.29	17	AP8706527	33.31	13	GU05001630	34.67	12
AP8152306	33.24	11	AP9100519	33.45	14	GU05002130	34.67	3
AP8152306	33.34	3	AP9100838	36.67	3	GU05003630	34.52	17
AP8152306	33.47	7	B013036	34.58	9	GU05005730	34.57	4
AP8152318	33.09	2	B013037	34.58	13	GU05100230	33.14	1
AP8152320	33.44	2	B013479	34.71	22	GU05100230XN2	33.14	1
AP8152329	33.24	4	B013479	34.72	22	GU05100230F2	33.14	1
AP8152329	33.37	9	B013517	34.53	7	GU05102930	33.14	16
AP8152329	33.43	10	B013661	34.71	29	GU05103830	33.37	5
AP8152329	33.49	4	B013661	34.72	30	GU05103930	33.14	8
AP8152339	33.05	8	B014223	34.71	16	GU05103930	33.50	2
AP8152339	33.16	3	B014223	34.72	16	GU05107430	33.39	3
AP8152339	33.17	15	CM074706	34.66	4	GU05113530	33.37	6
AP8152339	33.23	4	CM162701	34.71	30	GU05113730	33.37	3
AP8152339	33.24	5	CM162701	34.72	31	GU05114031	33.37	1
AP8152339	33.25	3	CM162702	34.71	30	GU05114130	33.37	8
AP8152384	33.07	10	CM162702	34.72	31	GU05121630	33.38	6
AP8152385	33.41	7	CM162703	34.71	30	GU05124230	33.38	10
AP8152396	33.13	16	CM162703	34.72	31	GU05124330	33.38	22
AP8152397	33.13	9	CM162704	34.71	30	GU05128230	33.38	14
AP8152398	33.13	2	CM162704	34.72	31	GU05135930	33.36	4
AP8152409	33.04	2	CM162705	34.71	30	GU05152230	34.57	3
AP8152410	33.10	3	CM162705	34.72	31	GU05157430	33.35	2
AP8152482	33.13	15	CM225603	33.49	22	GU05159330	33.35	10
AP8161083	33.34	5	CM225610	33.49	23	GU05204930	34.59	8
AP8163076	33.08	14	CM225615	33.49	21	GU05206530	33.11	12
AP8163091	33.08	10	CM225720	33.49	20	GU05210631	34.61	1
AP8163093	33.08	4	CM225730	33.49	10	GU05211331	34.61	10

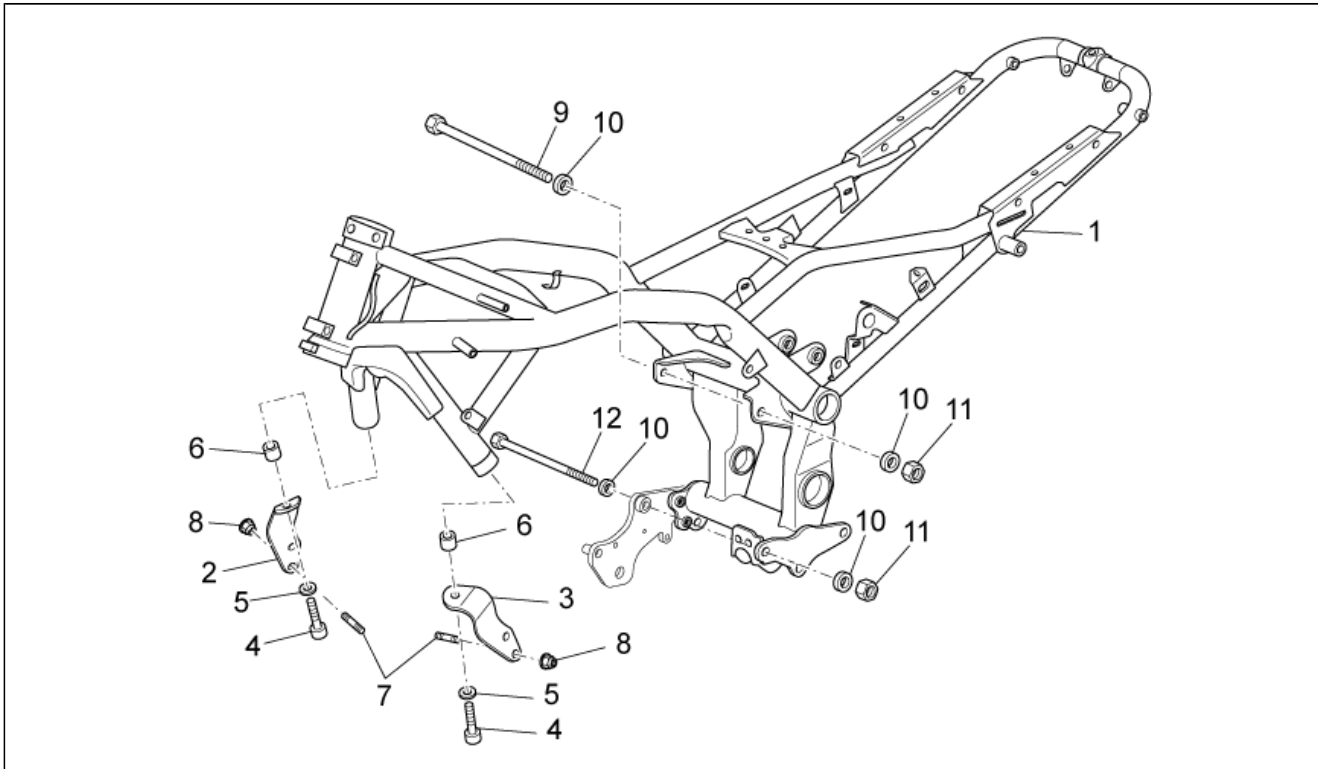


Code	No. table	Pos.	Code	No. table	Pos.	Code	No. table	Pos.
GU05211431	34.61	7	GU05530534	33.08	28	GU05944930	33.51	7
GU05213631	34.62	1	GU05530536	33.08	25	GU06215600	34.61	2
GU05214231	34.62	3	GU05547030	33.09	6	GU06765500	34.67	16
GU05214431	34.62	12	GU05547130	33.09	5	GU06917300	33.51	3
GU05214630	34.61	5	GU05547930	33.09	8	GU06917400	33.51	2
GU05214630	34.62	5	GU05548030	33.09	3	GU12006400	34.73	20
GU05214731	34.62	9	GU05560330	33.13	3	GU12018900	34.52	6
GU05215031	34.62	10	GU05562030	33.13	7	GU12022600	34.52	31
GU05230531	34.60	18	GU05562430	33.13	14	GU12154200	34.59	11
GU05230831	34.60	21	GU05570230	33.23	2	GU12911801	36.67	10
GU05232431	34.60	19	GU0557023000XN2	33.23	2	GU12912000	36.67	8
GU05232631	34.60	20	GU05570230F2	33.23	2	GU12913600	36.67	17
GU05234130	34.60	11	GU05573230	33.25	1	GU14085900	34.58	11
GU05234230	34.60	12	GU0557323000XN2	33.25	1	GU14433400	34.55	12
GU05234431	34.60	1	GU05573230F2	33.25	1	GU14609650	33.03	24
GU05234631	34.60	2	GU05573330	33.25	2	GU14609650	33.48	24
GU05234731	34.60	10	GU0557333000XN2	33.25	2	GU14609650	33.49	8
GU05234931	34.60	13	GU05573330F2	33.25	2	GU14615901	33.38	5
GU05235531	34.60	3	GU05573830	33.23	13	GU14615901	34.52	5
GU05236231	34.60	7	GU05573831	33.23	14	GU14616150	33.40	13
GU05238131	34.60	15	GU05600230	33.31	10	GU14616150	33.42	9
GU05238231	34.60	8	GU05600930	33.31	3	GU14912603	36.67	24
GU05238331	34.60	14	GU05604630	33.31	18	GU14927100	36.67	9
GU05238431	34.60	9	GU05606530	33.33	7	GU17661052	33.43	8
GU05239330	34.60	17	GU05606630	33.33	10	GU17947560	36.67	15
GU05251130	33.06	1	GU05610530	33.40	1	GU18144350	34.56	4
GU05256930	33.06	13	GU05614130	33.40	8	GU18144350	34.57	13
GU05257830	33.06	12	GU05615230	33.40	2	GU18144350	34.59	7
GU05258230	33.06	10	GU05630531	33.42	1	GU19002020	34.59	14
GU05326330	33.10	6	GU05632730	33.42	3	GU19207220	34.59	10
GU05351230	33.11	2	GU05634430	33.42	5	GU19927100	36.67	18
GU05352430	33.12	2	GU05635730	33.42	6	GU19929600	36.67	14
GU05358030	33.11	6	GU05638130	33.12	9	GU28576591	33.24	12
GU05358130	33.11	5	GU05653030	33.44	1	GU29722760	33.48	18
GU05358230	33.11	7	GU05654630	33.44	3	GU29729461	33.48	21
GU05358330	33.11	1	GU05658431	33.07	13	GU30027931	33.37	15
GU05358530	33.11	15	GU05659030	33.44	5	GU30103730	33.14	10
GU05358630	33.11	16	GU05659130	33.44	4	GU30150900	34.57	9
GU05421430	33.01	2	GU05661130	33.32	4	GU30153000	34.57	1
GU05421530	33.01	3	GU05663530	33.43	7	GU30158900	34.56	3
GU05429630	33.03	9	GU05666030	33.43	9	GU30158900	34.57	12
GU05434330	33.22	1	GU05666930	33.43	1	GU30217900	33.01	5
GU0543433000XN2	33.22	1	GU05677030	33.43	18	GU30609600	33.48	24
GU05434330F2A	33.22	1	GU05681530	33.42	11	GU30609600	33.49	8
GU05436530	33.45	15	GU05683730	33.42	13	GU30611460	33.42	7
GU05438630	33.24	7	GU05701430	34.64	7	GU30714201	34.64	9
GU05443530NA	33.05	1	GU05702530	34.64	6	GU30716500	33.48	8
GU05446030NA	33.05	11	GU05716730	33.48	9	GU30729330	33.37	14
GU05446431	33.05	9	GU05729230	33.48	3	GU30944300	33.51	5
GU05446930	33.05	7	GU05730730	34.65	1	GU30970200	33.51	14
GU05447430	33.05	13	GU05747930	33.49	11	GU31003766	33.11	9
GU05464330NA	33.25	11	GU05751630	33.47	8	GU31003766	34.52	22
GU05464830	33.25	13	GU05751730	33.47	11	GU31003766	34.59	13
GU05466830	33.23	6	GU05782530	33.29	12	GU31159050	34.56	2
GU05466830	33.50	4	GU05782530	33.50	3	GU31159050	34.57	14
GU05467330	33.25	7	GU05902530	36.67	13	GU31576183	33.20	22
GU05479630	33.24	2	GU05902730	36.68	7	GU32441210	33.04	7
GU05485030	33.26	6	GU05902731	36.68	4	GU32442310	33.04	11
GU05485130	33.26	12	GU05902732	36.68	2	GU32442710	33.04	14
GU05486530	33.26	8	GU05902733	36.68	3	GU32461610	33.23	16
GU05486630	33.26	17	GU05902734	36.68	6	GU32461810	33.23	15
GU05490730	33.08	3	GU05902735	36.68	5	GU32944210	33.25	17
GU05494030	33.07	2	GU05902736	36.68	8	GU49609601	33.40	17
GU05504530	33.08	13	GU05911730	36.67	2	GU49609601	33.42	15
GU05525430	33.08	18	GU05917530	33.51	4	GU4FAN000030	34.64	10
GU05530532	33.08	22	GU05927230	36.67	6	GU61270300	34.52	13
GU05530533	33.08	23	GU05944530	33.51	12	GU90271014	34.60	16



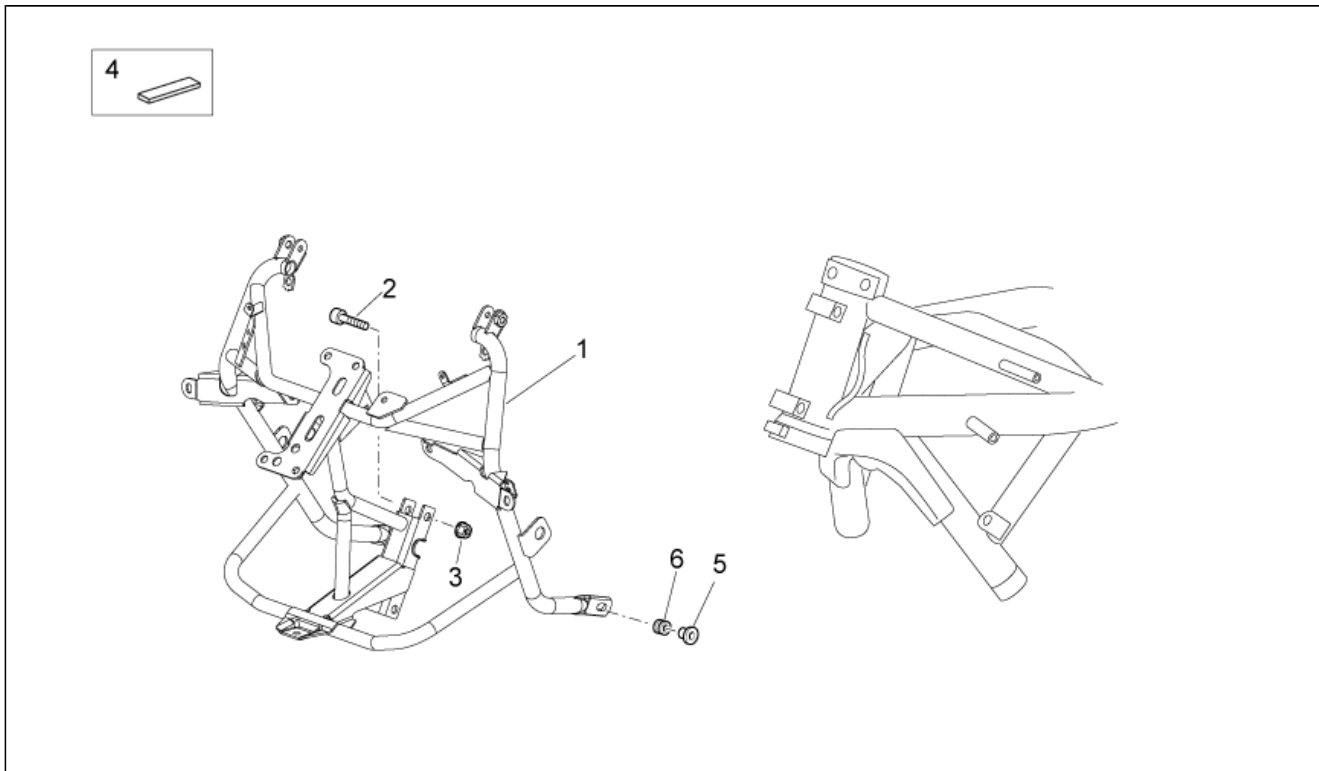
Code	No. table	Pos.	Code	No. table	Pos.	Code	No. table	Pos.
GU90271016	33.08	21	GU95008310	33.43	26	GU98682425	33.25	12
GU90271022	34.60	4	GU95008313	33.01	10	GU98682430	33.07	11
GU90271030	34.61	8	GU95008313	33.03	25	GU98682430	33.29	13
GU90271030	34.62	8	GU95020105	33.03	14	GU98682530	33.03	8
GU90271230	34.61	6	GU95021104	33.32	8	GU98682535	33.08	11
GU90271230	34.62	6	GU95100116	34.54	16	GU98682650	33.01	4
GU90273026	33.12	8	GU95100116	34.66	12	GU98683520	33.48	23
GU90274008	33.38	11	GU95129131	34.65	4	GU98690440	33.31	2
GU90353014	34.60	22	GU95510620	33.11	4	GU98692216	33.14	9
GU90401424	34.59	12	GU95512081	34.52	9	GU98692216	33.16	4
GU90404558	33.12	3	GU95980216	34.52	27	GU98692318	33.07	19
GU90405367	34.52	4	GU95980216	34.73	21	GU98692318	33.47	12
GU90408511	33.11	10	GU95980319	34.59	6	GU98692425	33.05	4
GU90412237	34.67	2	GU96508066	34.52	3	GU98692430	33.05	2
GU90412541	34.62	14	GU96508075	34.52	7	GU98832430	33.31	4
GU90706151	34.57	5	GU97202355	34.59	2	GU99210406	33.11	14
GU90706178	34.52	25	GU97202665	33.42	4			
GU90706203	34.52	32	GU97240600	33.17	18			
GU90718120	33.11	3	GU97250620	33.17	17			
GU91120606	34.67	13	GU98082475	34.65	2			
GU91120607	34.67	7	GU98084425	34.52	12			
GU91120924	33.25	10	GU98230412	33.18	15			
GU91180506	33.20	24	GU98230510	34.68	5			
GU91180823	34.64	2	GU98230612	34.58	6			
GU91181215	33.01	6	GU98230850	34.64	11			
GU91600365	34.55	19	GU98231235	33.03	20			
GU91600450	34.55	14	GU98325316	33.46	9			
GU92201025	34.60	6	GU98350210	33.05	10			
GU92201117	34.60	5	GU98350210	33.43	29			
GU92201226	34.62	13	GU98350310	34.54	24			
GU92201226	34.63	2	GU98350310	34.66	11			
GU92201822	34.61	11	GU98350315	34.55	5			
GU92201822	34.62	2	GU98370412	33.32	7			
GU92204230	33.12	5	GU98370614	33.24	13			
GU92208518	33.12	4	GU98370616	34.59	4			
GU92232028	34.63	5	GU98370625	33.18	16			
GU92249224	33.09	7	GU98370625	33.23	9			
GU92252029	34.61	3	GU98370625	34.66	9			
GU92252029	34.62	4	GU98612216	33.03	13			
GU92605408	34.64	12	GU98612325	33.31	22			
GU92606206	33.43	15	GU98620330	34.67	11			
GU92606516	34.64	8	GU98620335	34.52	14			
GU92609408	34.65	5	GU98620335	34.67	15			
GU92630104	33.48	12	GU98620445	34.64	3			
GU92630206	33.47	13	GU98620560	34.64	4			
GU92630707	33.06	11	GU98680340	33.08	29			
GU92650138	33.38	21	GU98680340	34.52	28			
GU92660012	34.64	5	GU98680360	34.52	21			
GU92660021	33.38	4	GU98680370	33.31	6			
GU92660021	34.52	8	GU98680440	33.02	2			
GU93180220	34.59	3	GU98680440	33.05	5			
GU93304390	33.09	4	GU98680445	33.38	17			
GU93305061	34.66	13	GU98680450	33.11	11			
GU93306017	33.35	13	GU98682125	33.48	10			
GU93306018	33.35	9	GU98682212	33.48	19			
GU93306050	34.66	18	GU98682212	33.48	29			
GU94321077	34.57	10	GU98682212	34.66	15			
GU95005306	34.56	13	GU98682215	33.25	5			
GU95005312	33.38	23	GU98682316	33.06	4			
GU95005325	33.40	10	GU98682316	33.43	21			
GU95008204	33.48	11	GU98682316	34.67	14			
GU95008205	33.48	20	GU98682320	33.06	6			
GU95008206	34.57	11	GU98682320	33.06	9			
GU95008206	34.66	10	GU98682320	34.67	6			
GU95008208	33.14	4	GU98682325	33.09	9			
GU95008213	33.06	8	GU98682414	33.14	3			
GU95008305	34.66	19	GU98682425	33.07	12			

<b>Group</b>	FRAME
<b>Code</b>	33.01
<b>Description</b>	Frame I
<b>Service</b>	1



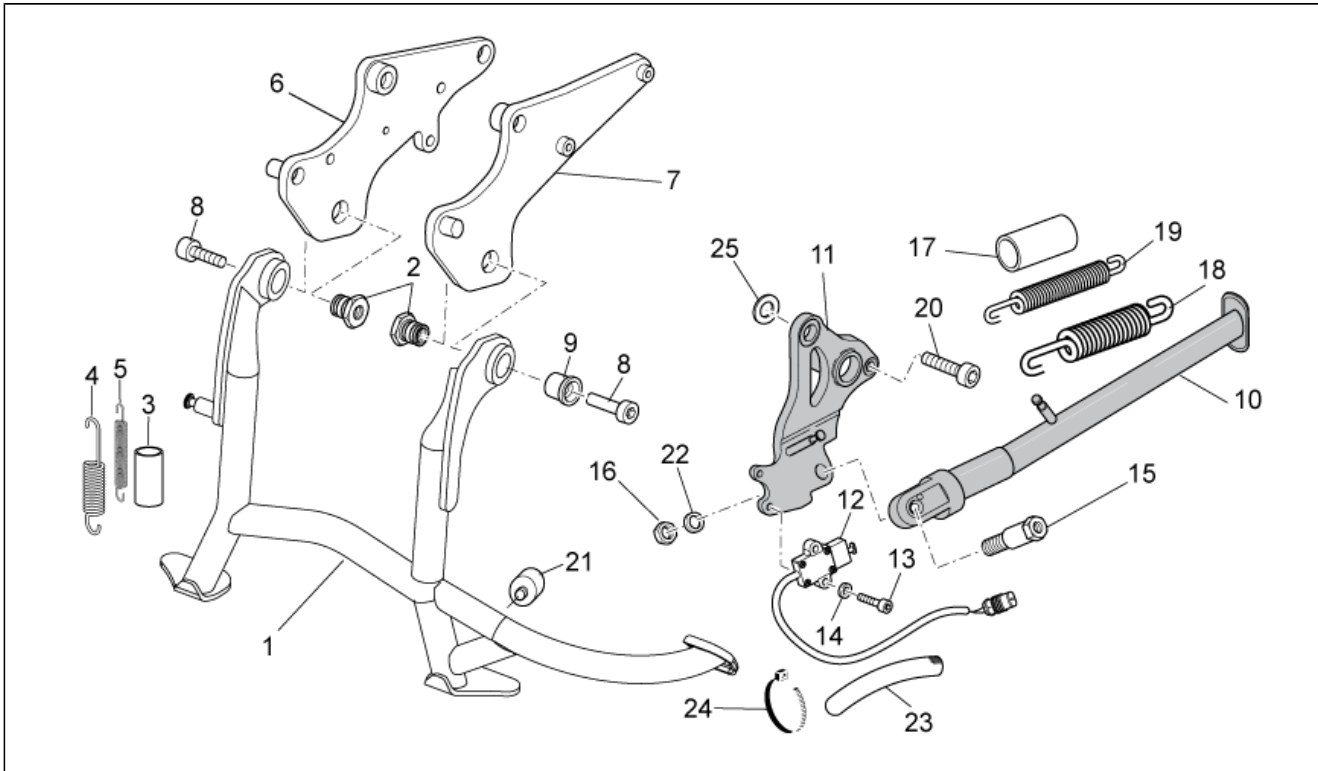
Pos.	Code	Description	Qty	Variants
1	883284	Frame	1	
2	GU05421430	RH plate	1	
3	GU05421530	LH plate	1	
4	GU98682650	Hex socket screw M12x50	2	
5	GU30217900	Washer 13x18x1,7	2	
6	GU91181215	Spacer 12x35x14	2	
7	977809	Stud bolt M10x38	4	
8	AP8152301	Self-locking nut	4	
9	AP8221307	Pin M12	1	
10	GU95008313	Washer 13x24x2,5	4	
11	AP8150432	Low self-locking nut M12*	2	
12	AP8221227	Pin M12x270	1	

<b>Group</b>	FRAME
<b>Code</b>	33.02
<b>Description</b>	Frame II
<b>Service</b>	1



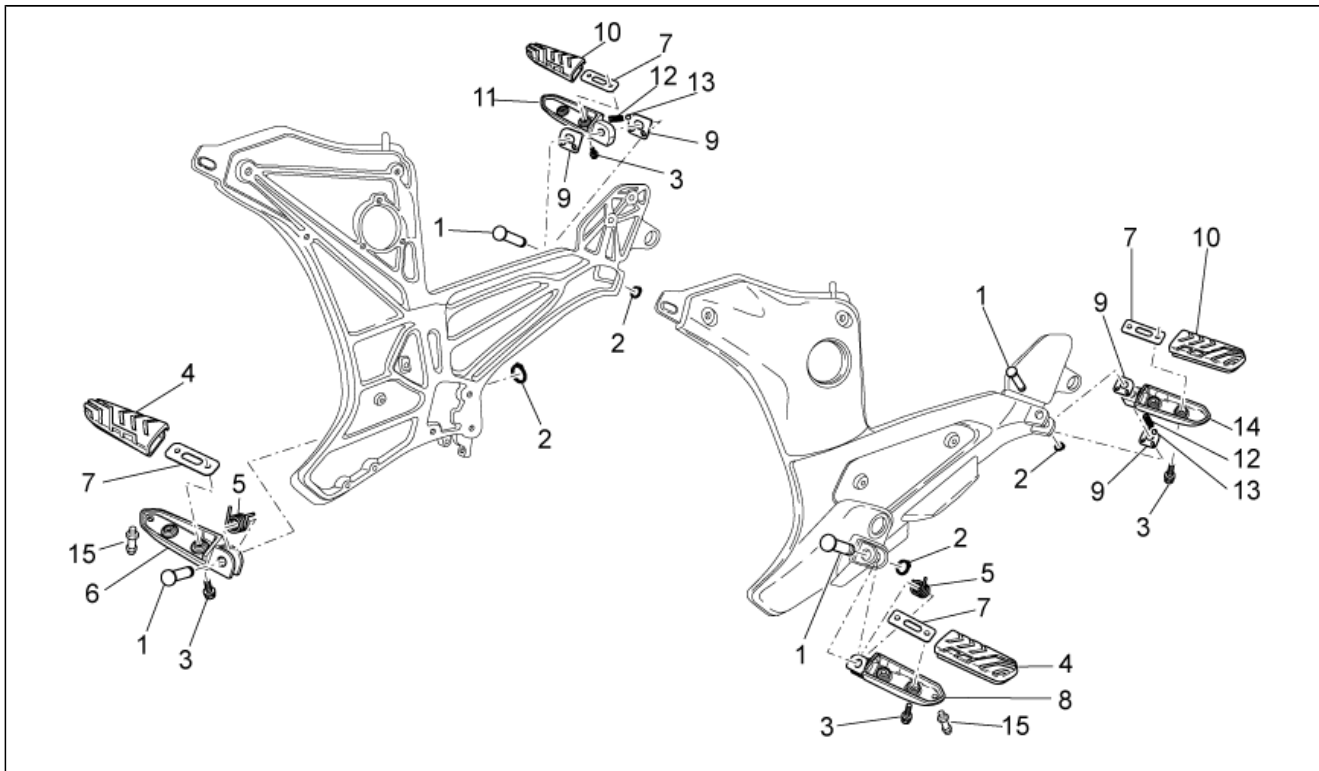
Pos.	Code	Description	Qty	Variants
1	883744	Telaietto anteriore con P.I.	1	
2	GU98680440	Hex socket screw M8x40	2	
3	AP8152300	Self-locking nut	4	
4	890517	Front fairing gasket	1	
5	AP8221128	T bush 8,5x10,7x12	2	
6	AP8120030	Rubber spacer *	2	

<b>Group</b>	FRAME
<b>Code</b>	33.03
<b>Description</b>	Stands
<b>Service</b>	1



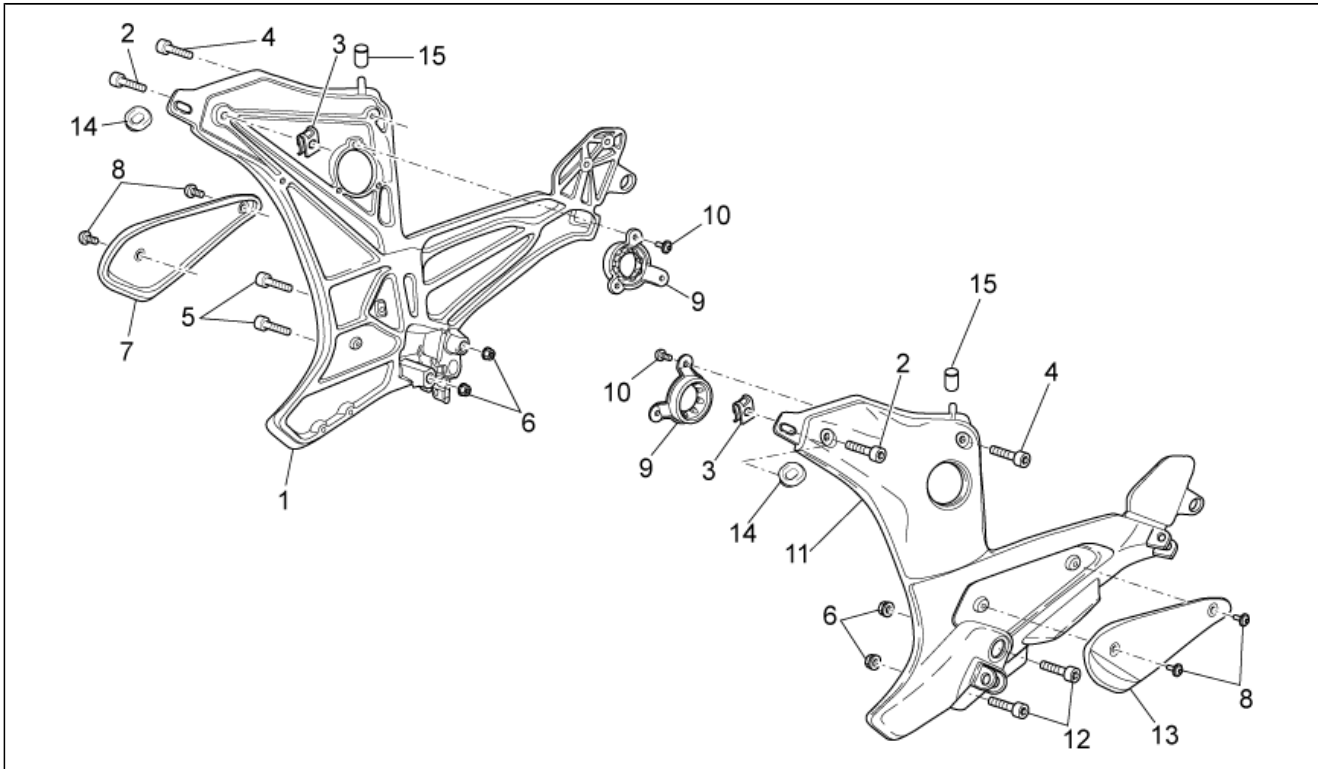
Pos.	Code	Description	Qty	Variants
1	883242	Central stand	1	
2	AP8121467	Support	2	
3	AP8178918	Stand spring protection	1	
4	AP8221317	Lateral stand spring	1	
5	AP8221318	Internal lateral stand spring	1	
6	883274	RH plate	1	
7	883251	LH plate	1	
8	GU98682530	Hex socket screw M10x30	2	
9	GU05429630	Bush	2	
10	897602	Lateral stand	1	
11	977080	Stand plate	1	
12	639542	Lateral stand switch	1	
13	GU98612216	Hex socket screw	2	
14	GU95020105	Washer 5,3x8,9x2,4	2	
15	AP8121994	Central stand fixing screw	1	
16	AP8152001	Low nut M10x1,25*	1	
17	AP8102524	Stand spring protection	1	
18	AP8221204	Lateral stand spring	1	
19	AP8221211	Internal lateral stand spring	1	
20	GU98231235	Hex socket screw M12x35	2	
21	AP8144487	Drift M6x10-25x15	1	
22	AP8150292	Curved spring washer *	1	
23	GU00823923140	Thermal sheath	1	
24	GU14609650	Hose clamp 3,6x20,6	2	
25	GU95008313	Washer 13x24x2,5	2	

<b>Group</b>	FRAME
<b>Code</b>	33.04
<b>Description</b>	Foot rests I
<b>Service</b>	1



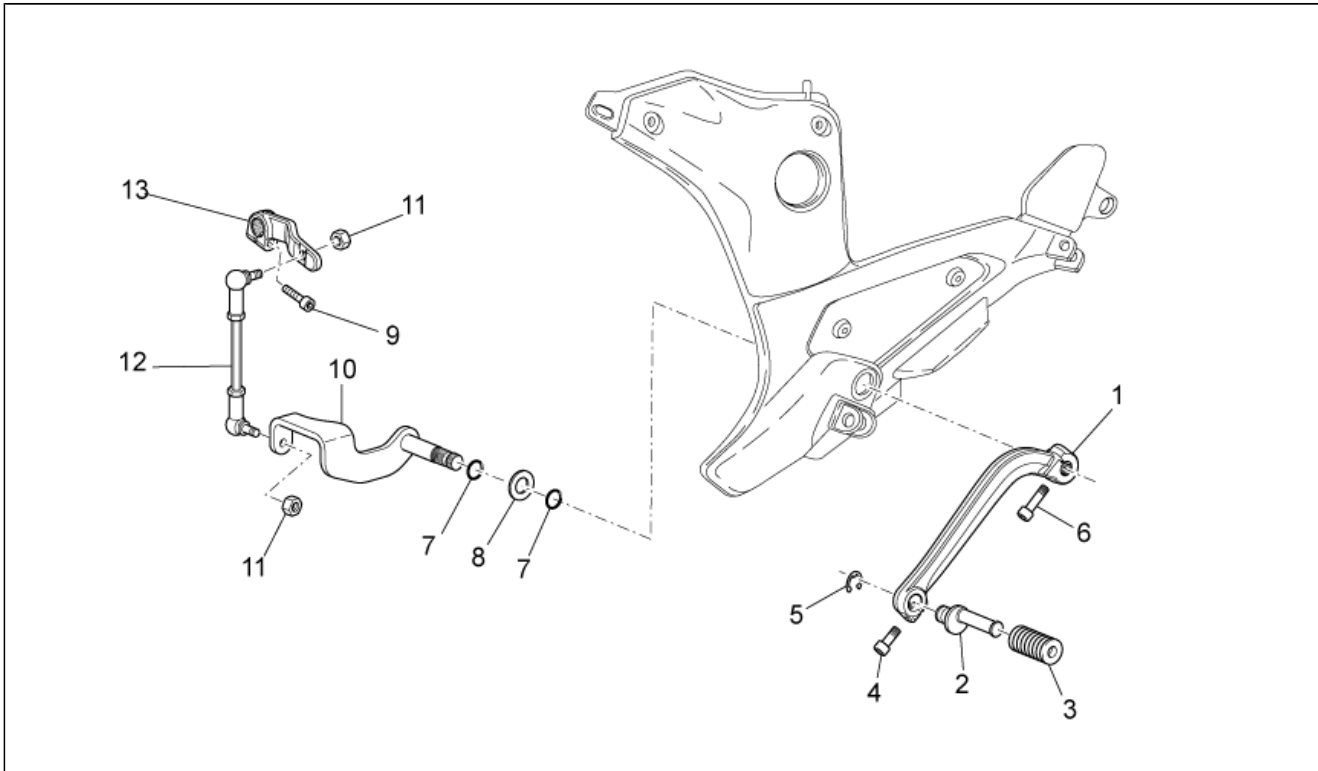
Pos.	Code	Description	Qty	Variants
1	AP8121567	Pin	4	
2	AP8152409	Stop ring	4	
3	AP8152277	Screw w/ flange	8	
4	898368	Footrest rubber	2	
5	AP8221277	Footrest return spring	2	
6	AP8145034	RH Foot rests	1	
7	GU32441210	Plate	4	
8	AP8145035	LH Foot rests	1	
9	AP8134451	Footrest plate	4	
10	898369	Footrest rubber	2	
11	GU32442310	Rear footrest, RH	1	
12	AP8121133	Coil compress. spring *	2	
13	AP8101861	Ball D6,35	2	
14	GU32442710	Rear footrest, LH	1	
15	AP8134838	Footrest pin	2	

<b>Group</b>	FRAME
<b>Code</b>	33.05
<b>Description</b>	Foot rests II
<b>Service</b>	1



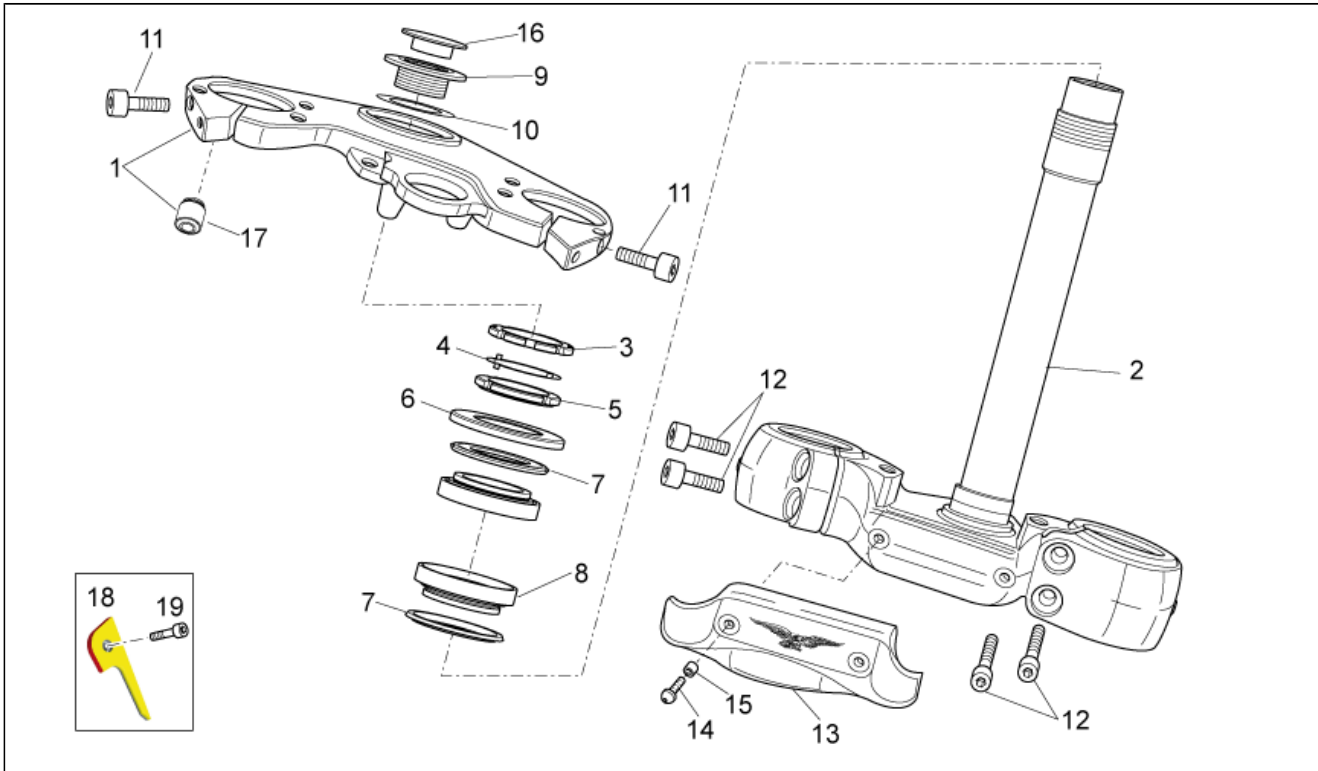
Pos.	Code	Description	Qty	Variants
1	GU05443530NA	RH plate black	1	
2	GU98692430	Hex socket screw M8x30	2	
3	GU01576530	Nut with clip M8x1,25	2	
4	GU98692425	Hex socket screw M8x25	2	
5	GU98680440	Hex socket screw M8x40	2	
6	AP8152300	Self-locking nut	4	
7	GU05446930	RH protection	1	
8	AP8152339	Screw w/ flange	4	
9	GU05446431	Ring	2	
10	GU98350210	Hex socket screw	6	
11	GU05446030NA	LH plate	1	
12	AP8150046	Hex socket screw M8x55	2	
13	GU05447430	LH protection	1	
14	AP8220162	Rubber spacer	4	
15	AP8220526	Rubber spacer	2	

<b>Group</b>	FRAME
<b>Code</b>	33.06
<b>Description</b>	Gear lever
<b>Service</b>	1



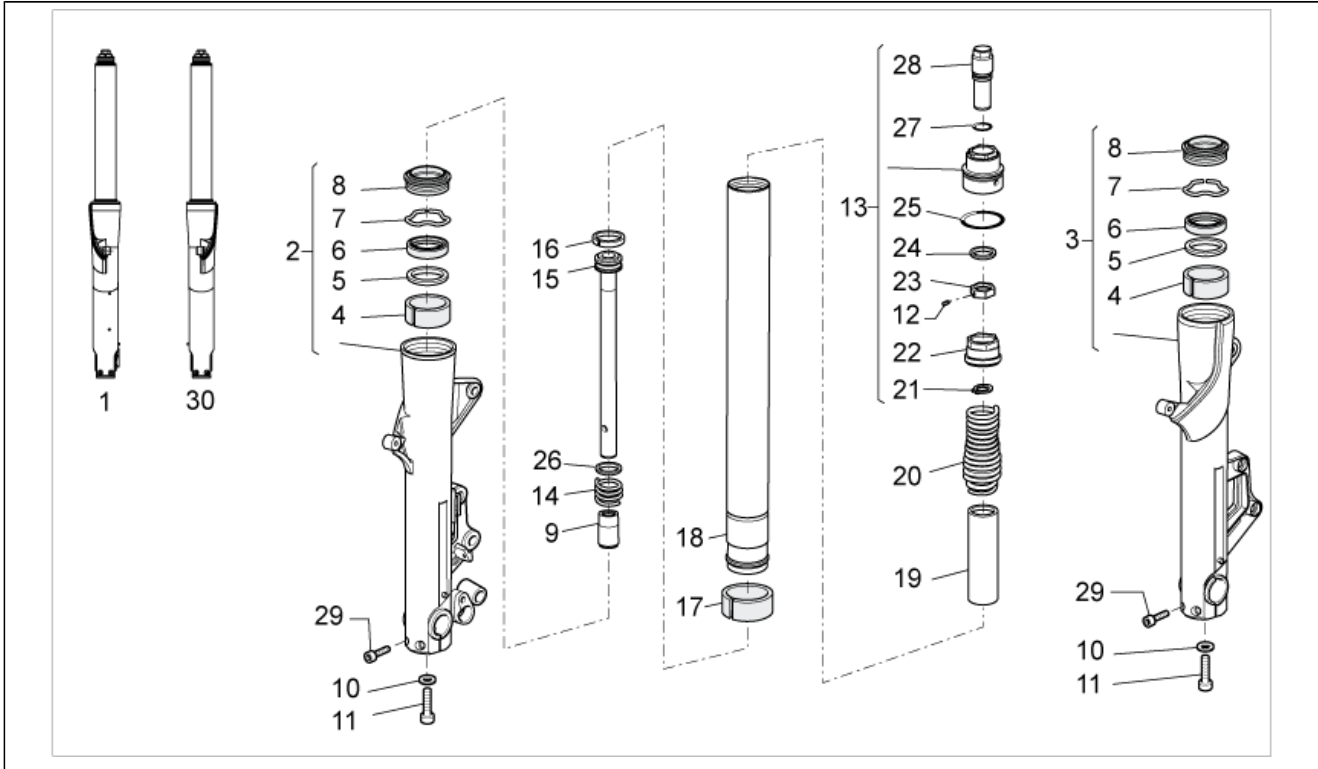
Pos.	Code	Description	Qty	Variants
1	GU05251130	Gear lever	1	
2	AP8121221	Brake lever pin	1	
3	AP8120912	Lever rubber	1	
4	GU98682316	Hex socket screw M6x16	1	
5	AP8150462	Circlip d9	1	
6	GU98682320	Hex socket screw M6x20	1	
7	AP8144007	O-ring 11,11x1,78	2	
8	GU95008213	Washer 12,2X20X2	1	
9	GU98682320	Hex socket screw M6x20	1	
10	GU05258230	Lever	1	
11	GU92630707	Nut	2	
12	GU05257830	Change gear tie rod compl.	1	
13	GU05256930	Lever	1	

<b>Group</b>	FRAME
<b>Code</b>	33.07
<b>Description</b>	Steering
<b>Service</b>	1



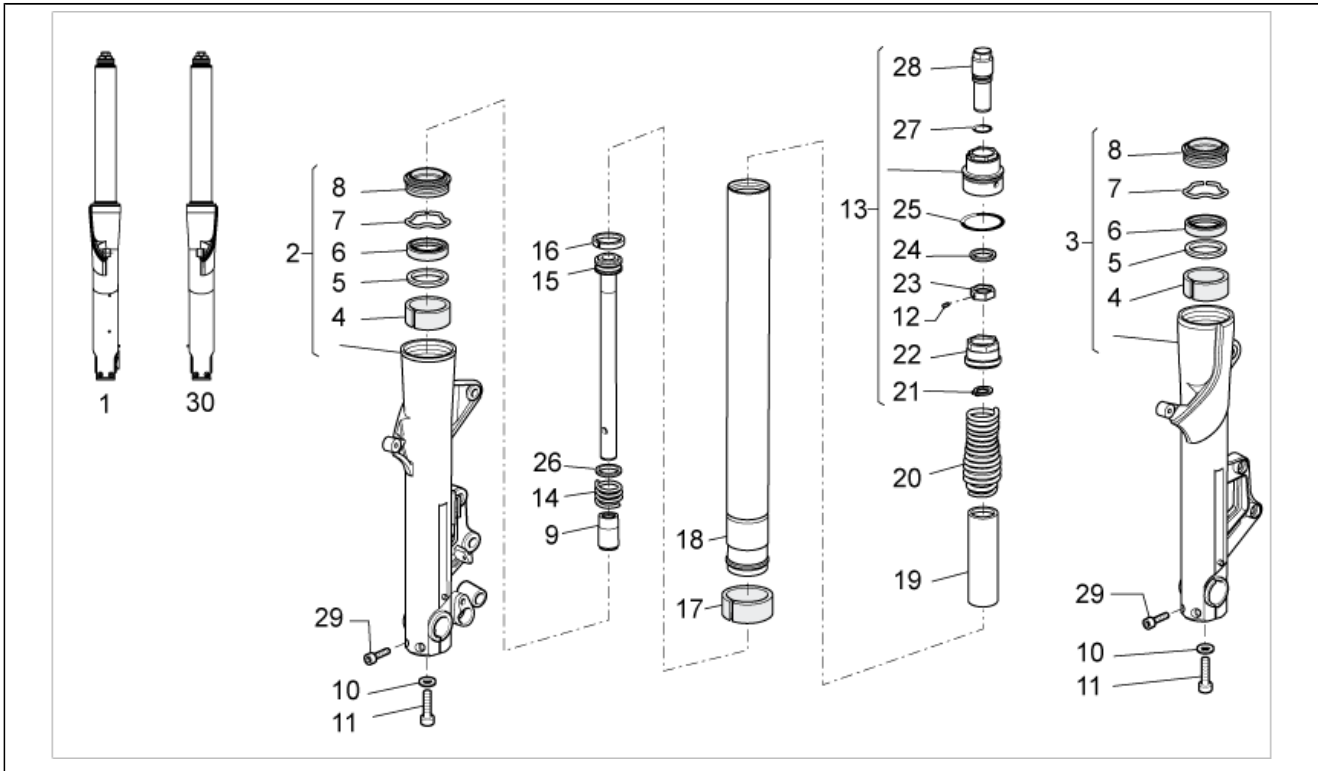
Pos.	Code	Description	Qty	Variants
1	897671	Upper plate	1	
2	GU05494030	Stem base	1	
3	AP8123643	Return ring nut	1	
4	AP8121207	Steering security plate	1	
5	AP8123642	Ring nut	1	
6	AP8123644	Dust cover ring	1	
7	AP8123641	Dust cover ring	2	
8	AP8110077	Axial ball bearing	2	
9	AP8121205	Upper plate fixing bush	1	
10	AP8152384	Stem plug washer	1	
11	GU98682430	Hex socket screw M8x30	2	
12	GU98682425	Hex socket screw M8x25	4	
13	GU05658431	Brake hose fixing plate	1	
14	AP8152298	Screw w/ flange	2	
15	AP8221036	Bush 5,3x8x7,1	2	
16	898401	Screw cover plug	1	
17	853215	Silent-block	6	
18	898245	Fixing plate	1	
19	GU98692318	Hex socket screw	1	

<b>Group</b>	FRAME
<b>Code</b>	33.08
<b>Description</b>	Front fork
<b>Service</b>	1



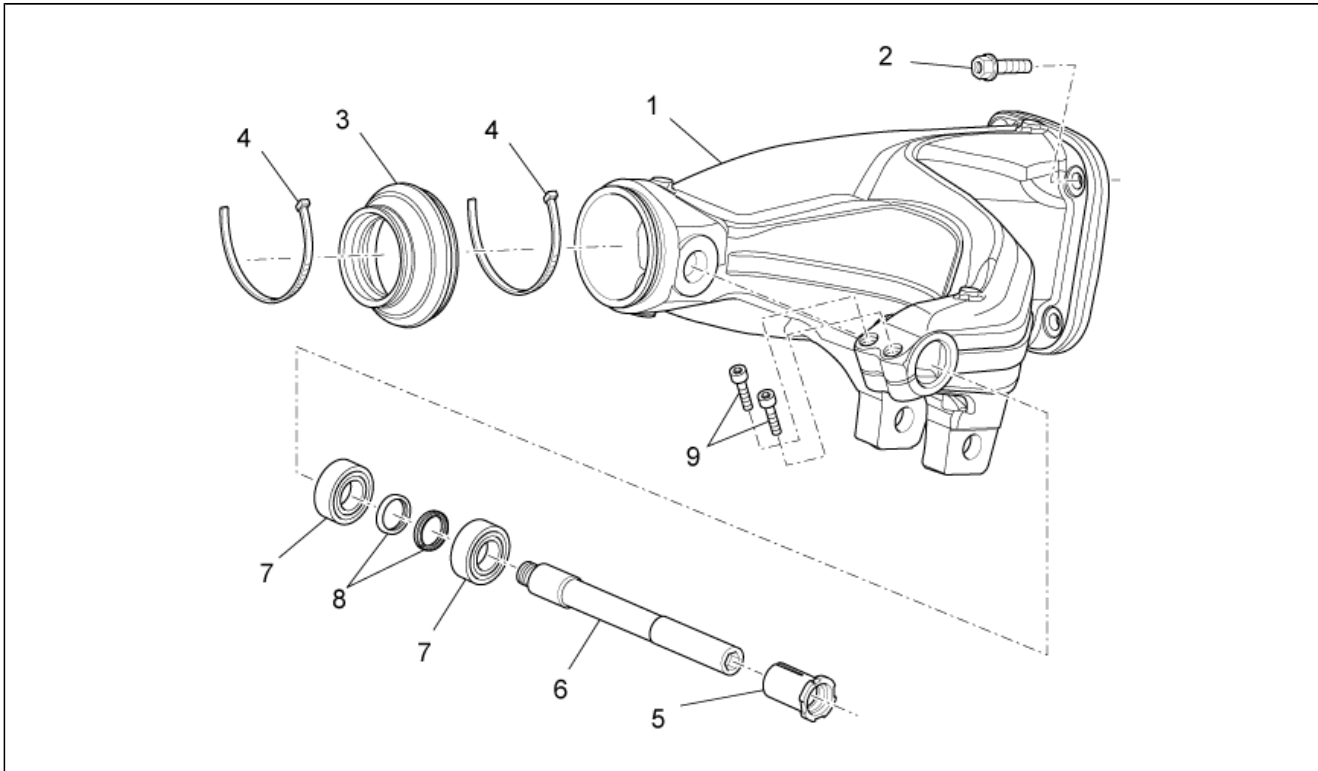
Pos.	Code	Description	Qty	Variants
1	981154	RH hub	1	
2	981156	RH sleeve	1	
3	GU05490730	LH sleeve	1	
4	AP8163093	Bush	2	
5	AP8163094	Cup 58x46x3	2	
6	AP8163095	Gasket ring 45x58x11	2	
7	AP8163096	Stop ring D.63	2	
8	AP8163097	Dust cover D.45	2	
9	AP8123655	Stroke limit stop	2	
10	AP8163091	Washer 14x10,5x1,5	2	
11	GU98682535	Hex socket screw M10x35	2	
12	AP8150497	Dowel	2	
13	GU05504530	Plug cpl.	2	
14	AP8163076	Return spring	2	
15	981157	Plunger, complete	2	
16	AP8163102	Ring D39,5	2	
17	AP8163098	Bush	2	
18	GU05525430	Sleeve	2	
19	981158	Preload tube	2	
20	981085	Spring	2	
21	GU90271016	Stop ring	2	
22	GU05530532	Bush	2	
23	GU05530533	Nut	2	
24	AP8121582	Fifth wheel	2	
25	GU05530536	O-ring	2	
26	981159	Flat washer D.E. 38 D.I. 12,01x2,5	2	
27	AP8163142	O-ring	2	
28	GU05530534	Adjusting pin	2	

<b>Group</b>	FRAME
<b>Code</b>	33.08
<b>Description</b>	Front fork
<b>Service</b>	1



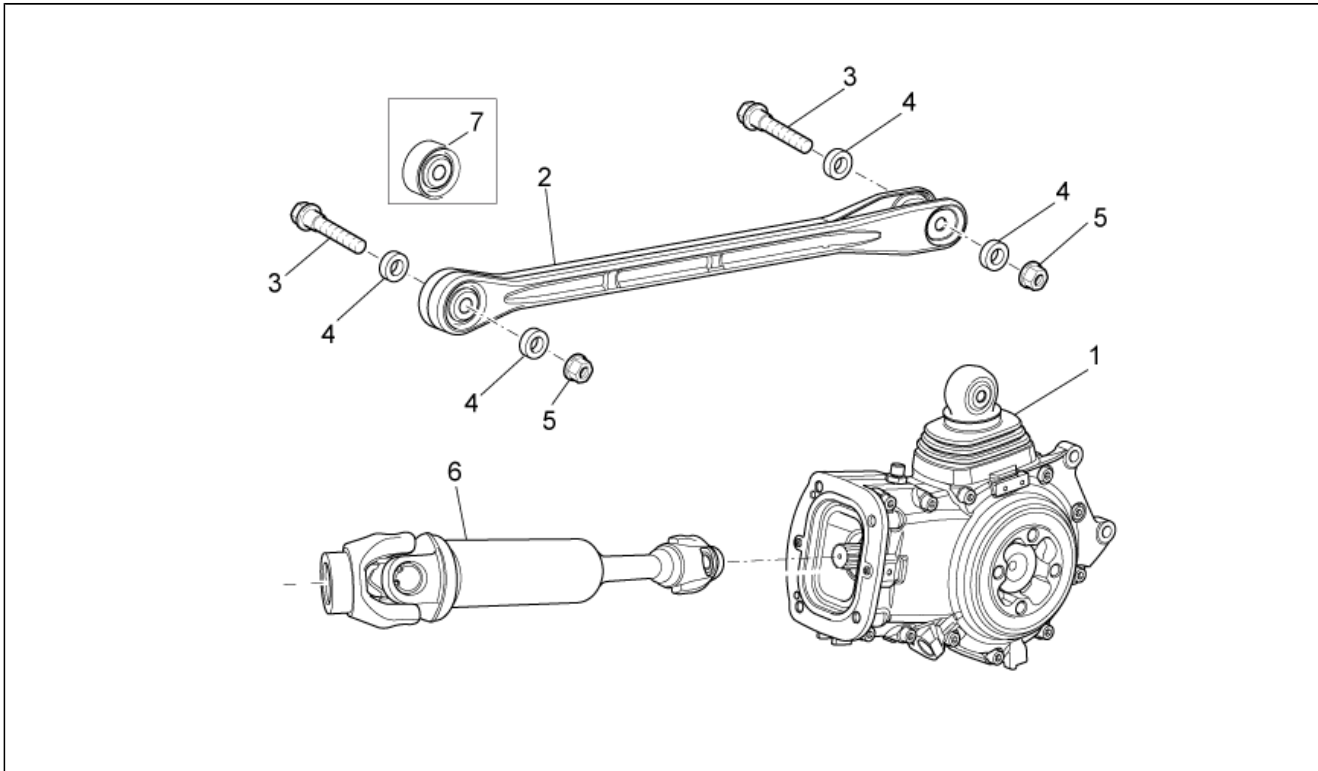
Pos.	Code	Description	Qty	Variants
29	GU98680340	Hex socket screw	4	
30	981155	LH hub	4	

<b>Group</b>	FRAME
<b>Code</b>	33.09
<b>Description</b>	Swing arm
<b>Service</b>	1



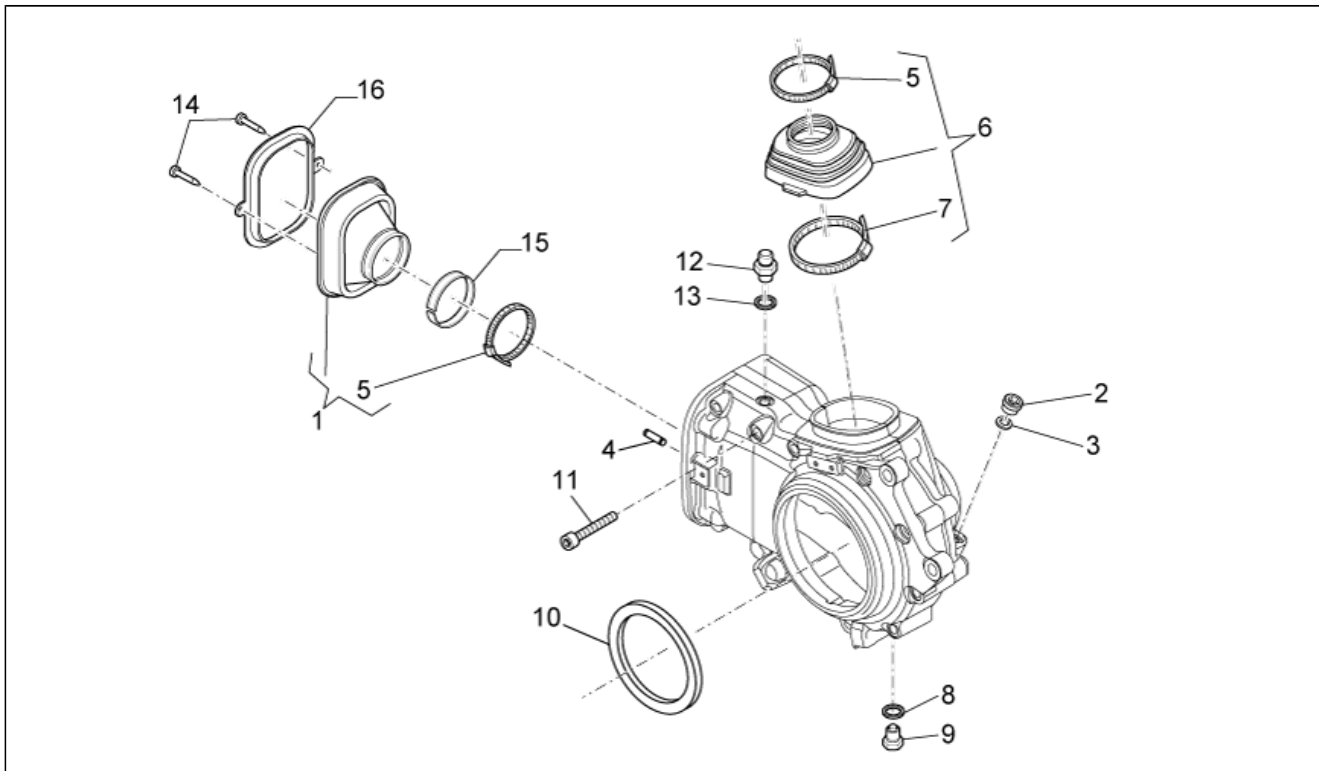
Pos.	Code	Description	Qty	Variants
1	977261	Swingarm	1	
2	AP8152318	Screw w/ flange M10x35	4	
3	GU05548030	Rubber bellows	1	
4	GU93304390	Hose clamp 3,6x375	2	
5	GU05547130	Bush	1	
6	GU05547030	Pin	1	
7	GU92249224	Roller bearing 25x47x17	2	
8	GU05547930	Gasket ring	2	
9	GU98682325	Hex socket screw M6x25	2	

<b>Group</b>	FRAME
<b>Code</b>	33.10
<b>Description</b>	Transmission complete
<b>Service</b>	1



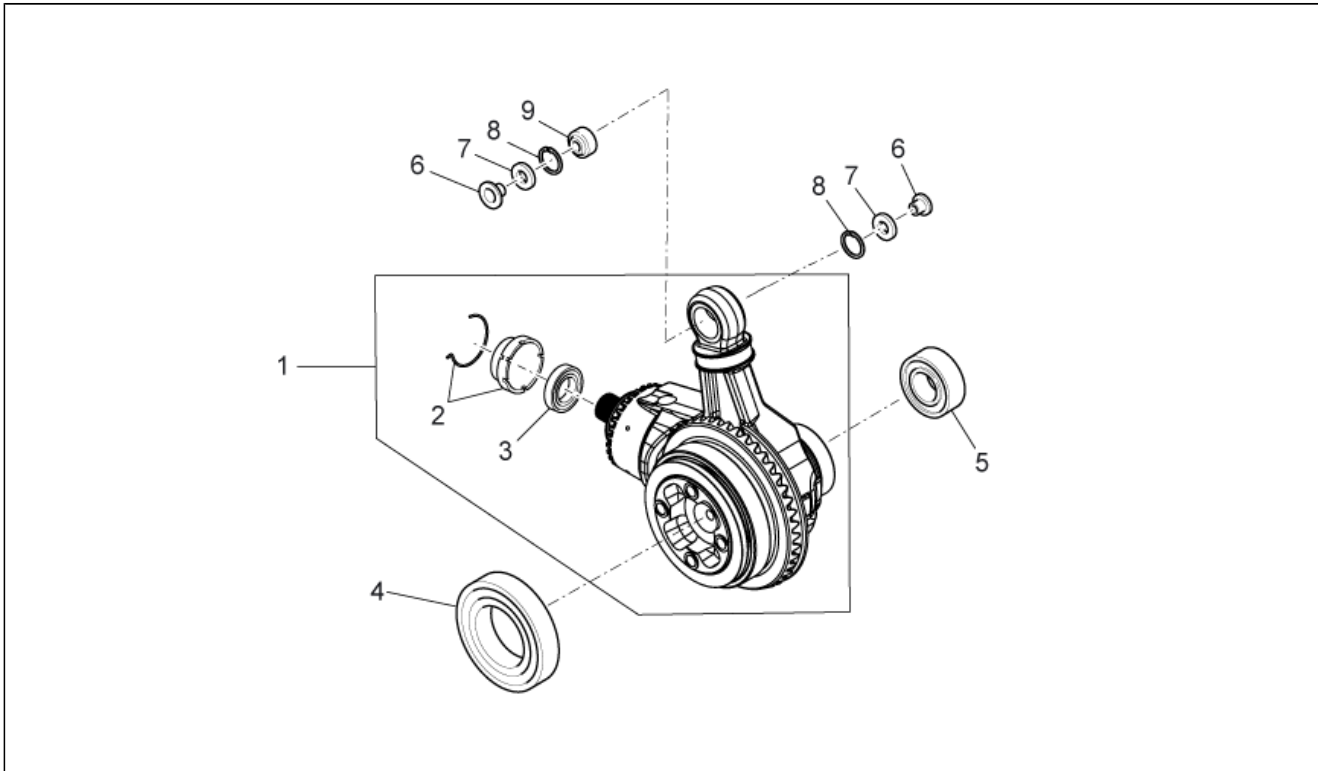
Pos.	Code	Description	Qty	Variants
1	976572	Bevel gear	1	
2	883081	Reaction rod	1	
3	AP8152410	Screw w/ flange M10x55	2	
4	AP8121218	Spacer 10,2x20x4	4	
5	AP8152242	Nut	2	
6	GU05326330	Drive shaft	1	
7	883045	Silent-block	1	

<b>Group</b>	FRAME
<b>Code</b>	33.11
<b>Description</b>	Trans.cpl.-Cage
<b>Service</b>	1



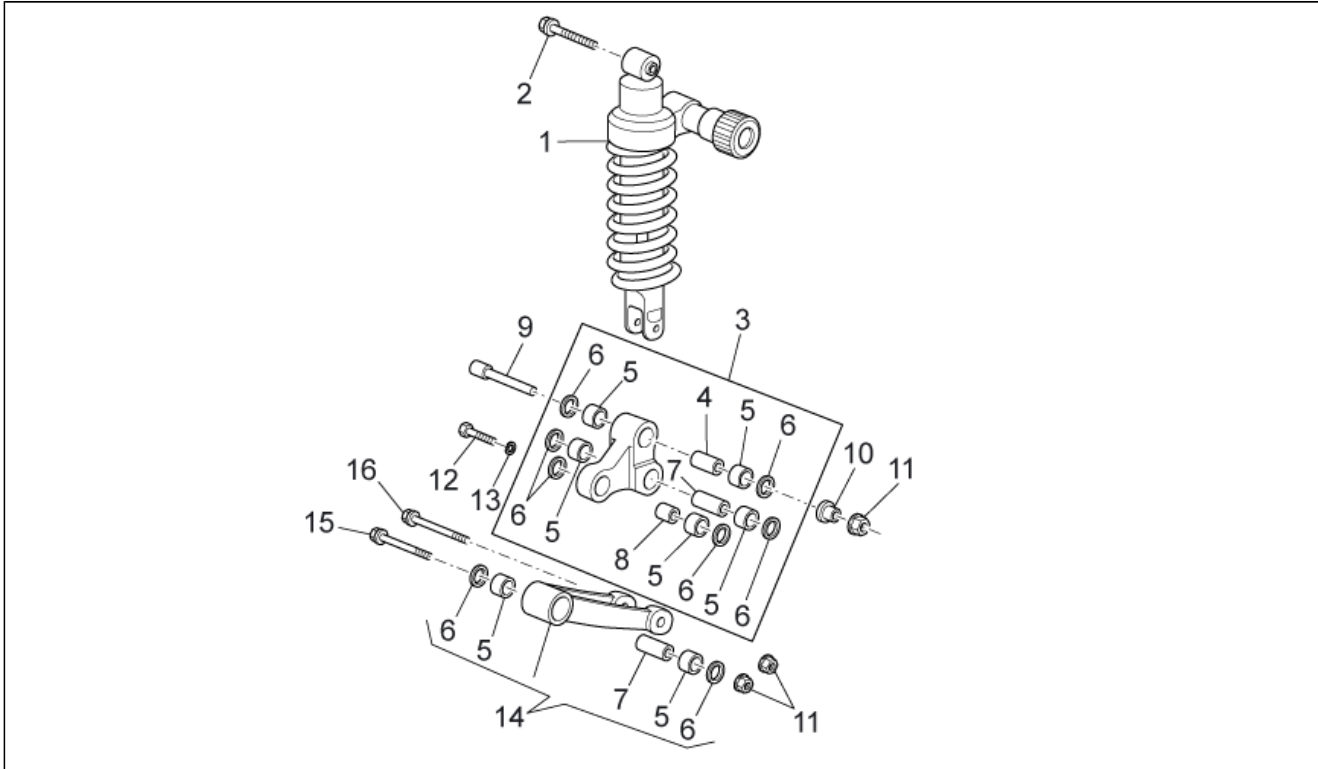
Pos.	Code	Description	Qty	Variants
1	GU05358330	Upper dust cover	1	
2	GU05351230	Oil plug M12x1,5	1	
3	GU90718120	Washer	1	
4	GU95510620	Pin 6x20	2	
5	GU05358130	Hose clamp	2	
6	GU05358030	Upper dust cover	1	
7	GU05358230	Hose clamp	1	
8	GU01528930	Gasket 10x18x1,5	1	
9	GU31003766	Oil unload plug	1	
10	GU90408511	Gasket ring 85x110x8BASL	1	
11	GU98680450	Hex socket screw	11	
12	GU05206530	Breather plug	1	
13	GU01528930	Gasket 10x18x1,5	1	
14	GU99210406	Screw M3,9x6,5	2	
15	GU05358530	Ring	1	
16	GU05358630	Gasket	1	

<b>Group</b>	FRAME
<b>Code</b>	33.12
<b>Description</b>	Trans.cpl.-Bevel gear
<b>Service</b>	1



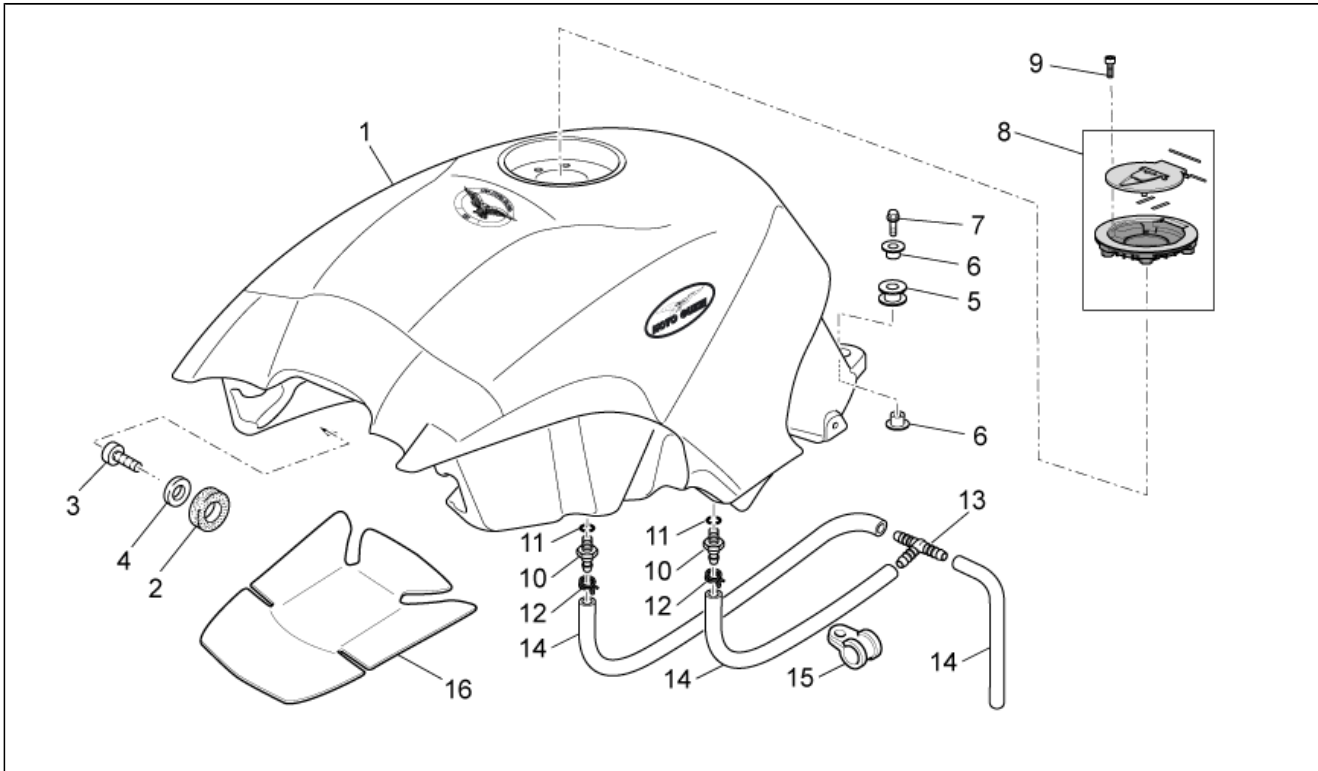
Pos.	Code	Description	Qty	Variants
1	976581	Bevel gear kit 12/44	1	
2	GU05352430	Ring nut	1	
3	GU90404558	Gasket ring 45x58x7	1	
4	GU92208518	Ball bearing 85x120x18	1	
5	GU92204230	Ball bearing 30x62x16	1	
6	AP8121098	Bush	2	
7	AP8120485	Gasket ring	2	
8	GU90273026	Circlip	2	
9	GU05638130	Ball joint	1	

<b>Group</b>	FRAME
<b>Code</b>	33.13
<b>Description</b>	Connecting rod - rear shock abs.
<b>Service</b>	1



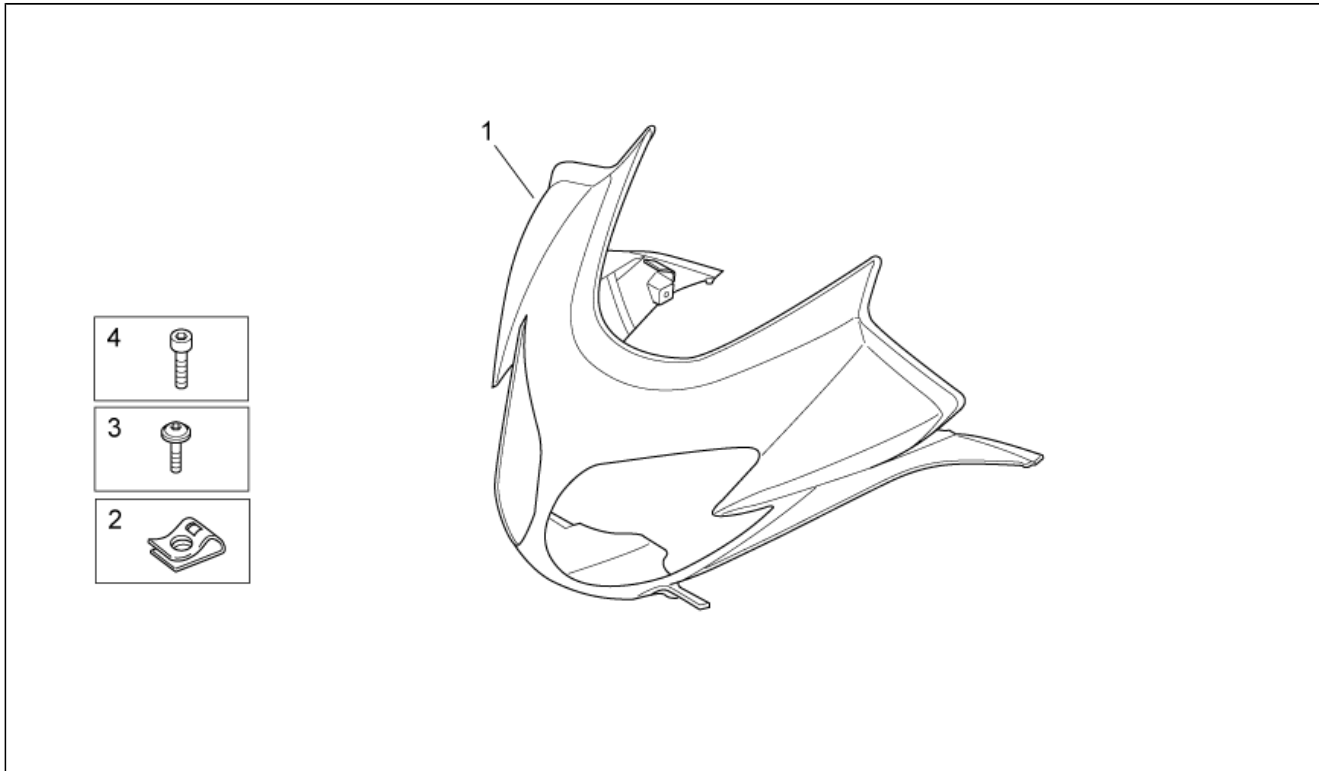
Pos.	Code	Description	Qty	Variants
1	883855	Rear shock absorber	1	
2	AP8152398	Screw w/ flange M10x80	1	
3	GU05560330	Double conrod	1	
4	AP8135924	Double connecting rod pin L40	1	
5	AP8110066	Needle bearing	7	
6	AP8110068	Oil seal D18x24x3	8	
7	GU05562030	Double connecting rod pin L47	2	
8	AP8135608	Double connecting rod pin L25	1	
9	AP8152397	Hex socket screw M10x82	1	
10	AP8121155	T bush *	1	
11	AP8152301	Self-locking nut	3	
12	AP8152147	Hex screw M10x47	1	
13	AP8150292	Curved spring washer *	1	
14	GU05562430	Single conrod comp.	1	
15	AP8152482	Screw w/ flange M10x85	1	
16	AP8152396	Screw w/ flange M10x95	1	

<b>Group</b>	FRAME
<b>Code</b>	33.14
<b>Description</b>	Fuel tank
<b>Service</b>	1



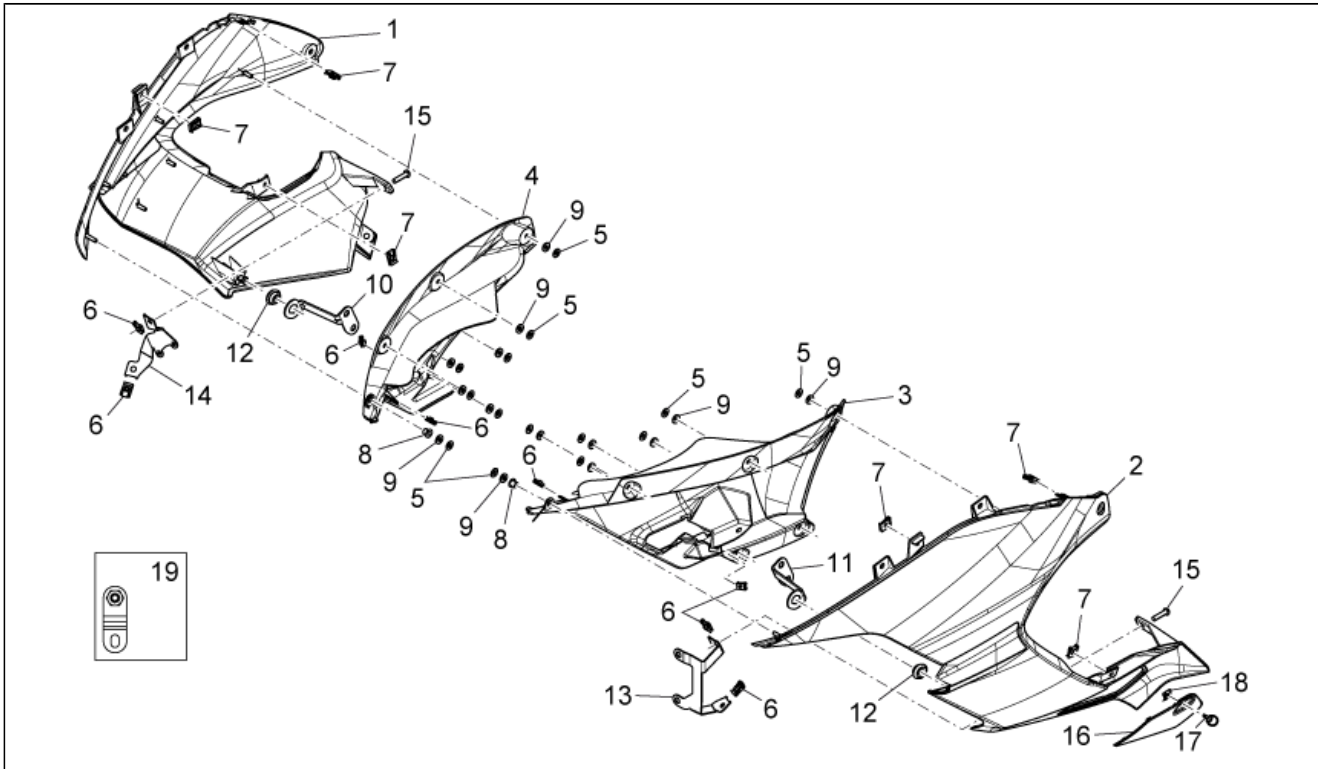
Pos.	Code	Description	Qty	Variants
1	GU05100230	Fuel tank blank	1	<b>Colore veicolo:</b> Black Competition (s.t. 883634)[bl/co], Grey Excalibur (s.t. 883635)[g/exc]
1	GU0510023000XN2	Fuel tank, black	1	<b>Colore veicolo:</b> Black Competition (s.t. 883634)[bl/co]
1	GU05100230F2	Fuel tank, grey	1	<b>Colore veicolo:</b> Grey Excalibur (s.t. 883635)[g/exc]
2	AP8201124	Rubber spacer *	2	
3	GU98682414	Hex socket screw	2	
4	GU95008208	Washer 8,4X15X1,5	2	
5	GU02107100	Rubber spacer	1	
6	AP8121804	Spacer *	2	
7	AP8152291	Screw w/ flange	1	
8	GU05103930	Tank cap	1	
9	GU98692216	Hex socket screw	4	
10	GU30103730	Union	2	
11	AP8120965	O-ring 2018	2	
12	AP8101595	Hose clamp D10,1*	2	
13	AP8104666	3-way union	1	
14	896544	Fuel pipe 5,5x10	3	
15	AP8104451	Cable-guide	2	
16	GU05102930	Fuel tank central insulation	1	

<b>Group</b>	FRAME
<b>Code</b>	33.16
<b>Description</b>	Front body I
<b>Service</b>	1



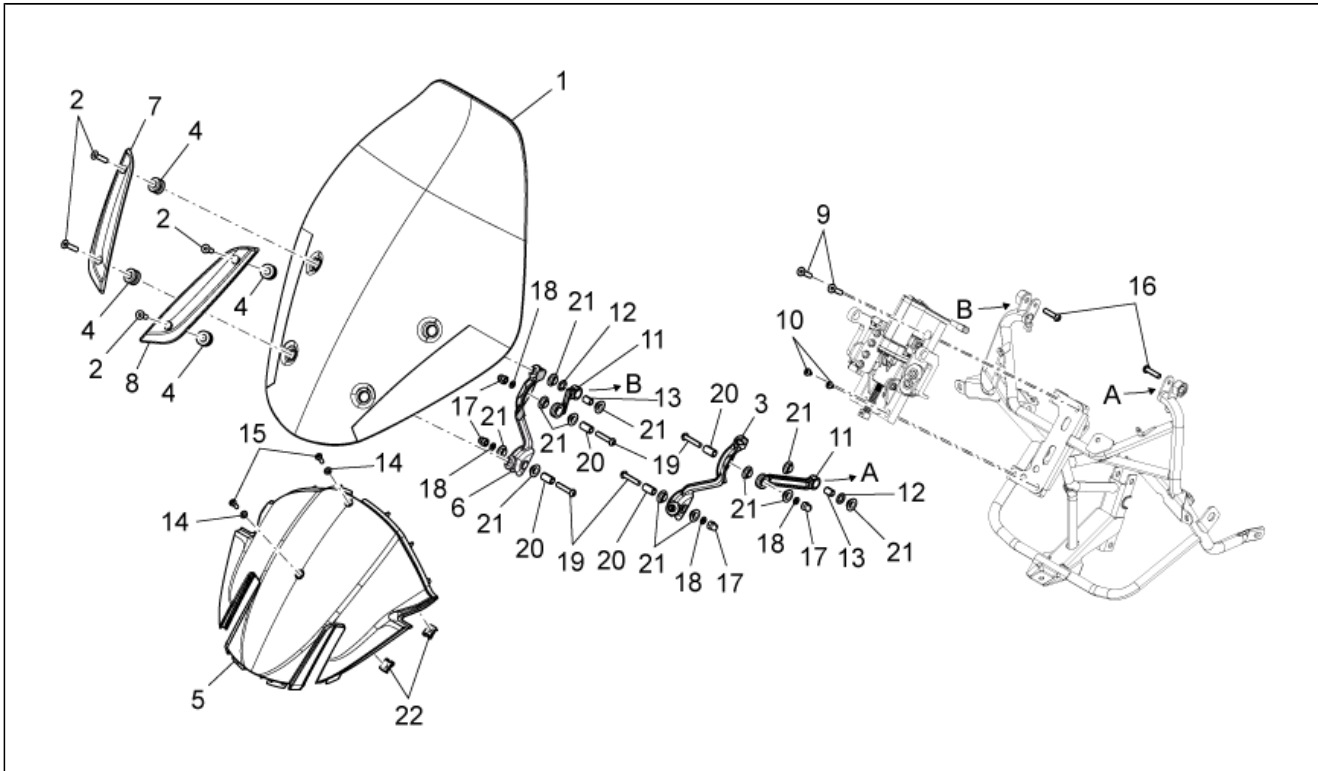
Pos.	Code	Description	Qty	Variants
1	977100	Headlight windshield blank	1	
1	97710000XN2	Front fairing, black	1	<b>Colore veicolo:</b> Black Competition (s.t. 883634)[bl/co]
1	977100F2	Windshield, grey	1	<b>Colore veicolo:</b> Grey Excalibur (s.t. 883635)[g/exc]
2	AP8102375	Clip	12	
3	AP8152339	Screw w/ flange	8	
4	GU98692216	Hex socket screw	2	

<b>Group</b>	FRAME
<b>Code</b>	33.17
<b>Description</b>	Front body II
<b>Service</b>	1



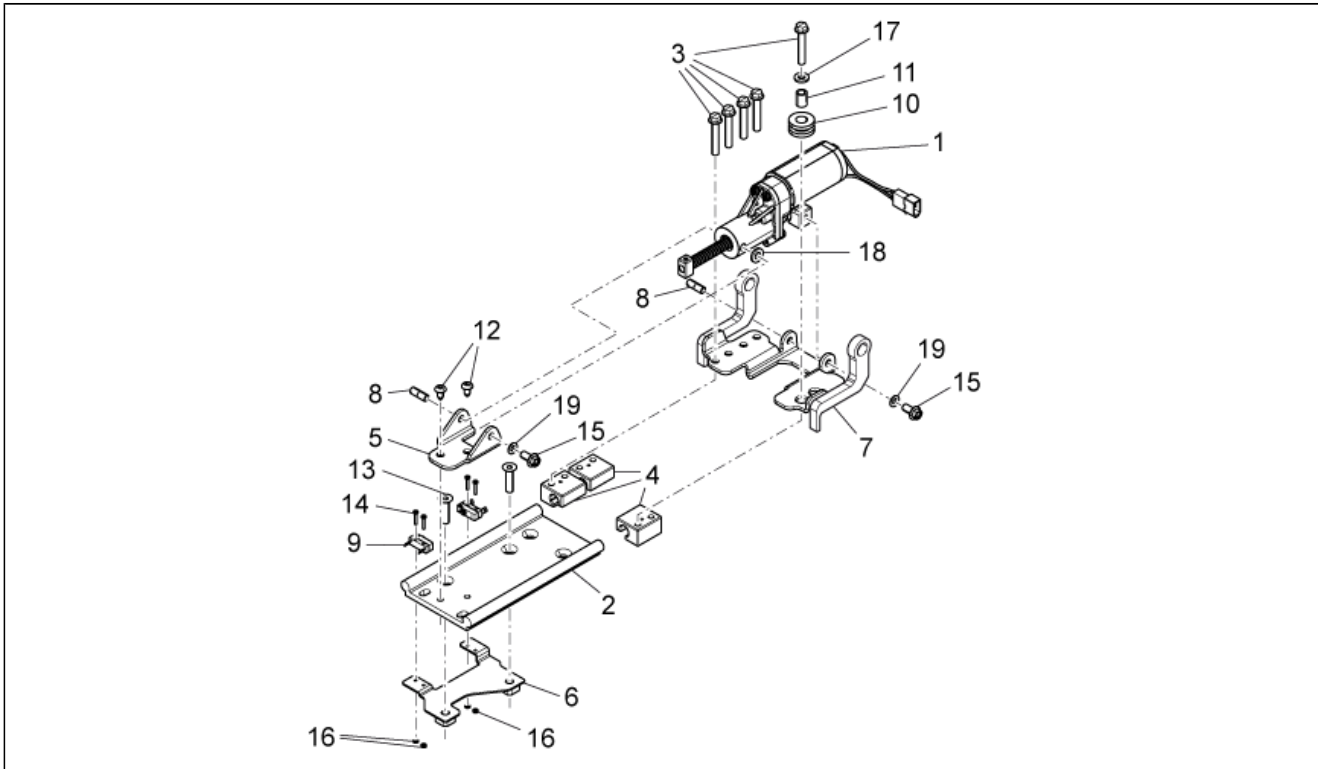
Pos.	Code	Description	Qty	Variants
1	883514	RH lateral fairing, blank	1	
1	88351400F2	RH lat.fairing, grey	1	Colore veicolo:Grey Excalibur (s.t. 883635)[g/exc]
1	88351400XN2	RH lat.fairing, black	1	Colore veicolo:Black Competition (s.t. 883634)[bl/co]
2	883515	LH lateral fairing, blank	1	
2	88351500F2	LH lat.fairing, grey	1	Colore veicolo:Grey Excalibur (s.t. 883635)[g/exc]
2	88351500XN2	LH lat.fairing, black	1	Colore veicolo:Black Competition (s.t. 883634)[bl/co]
3	883517	LH internal fairing	1	
4	883516	RH internal fairing	1	
5	AP8150450	Washer for shafts D5	14	
6	AP8102381	Clip M4	10	
7	AP8102375	Clip	6	
8	AP8121795	T bush *	2	
9	479882	Spacer	14	
10	977125	RH plate	1	
11	977126	LH plate	1	
12	AP8220162	Rubber spacer	2	
13	977121	L H rear plate	1	
14	977119	R H rear plate	1	
15	AP8152339	Screw w/ flange	4	
16	883526	Door	1	
16	88352600F2	LH side cover, grey	1	Colore veicolo:Grey Excalibur (s.t. 883635)[g/exc]
16	88352600XN2	LH side cover, black	1	Colore veicolo:Black Competition (s.t. 883634)[bl/co]
17	GU97250620	Fixing pin 6x12	1	
18	GU97240600	Special clip	1	
19	883747	Plate	1	

<b>Group</b>	FRAME
<b>Code</b>	33.18
<b>Description</b>	Electro-Windscreen II
<b>Service</b>	1



Pos.	Code	Description	Qty	Variants
1	883810	Windscreen	1	
2	655467	Screw	4	
3	653027	Supporto parabrezza sx	1	
4	576565	Drift	4	
5	883811	Front tyre	1	
6	653028	Supporto parabrezza dx	1	
7	653157	RH clamp	1	
8	653156	LH clamp	1	
9	840542	Screw	2	
10	274369	Hex socket screw M6x12	2	
11	883790	Connecting rod	2	
12	271695	Gasket ring	2	
13	259658	Spacer	2	
14	AP8144565	Nylon washer	2	
15	GU98230412	Screw	2	
16	GU98370625	Hex socket screw	2	
17	479175	Cap nut	4	
18	006966	Spring washer 6,4x11x0,5	4	
19	620365	Hex socket screw M6x30	4	
20	977644	Spacer	4	
21	977645	Bush	12	
22	AP8102381	Clip M4	2	

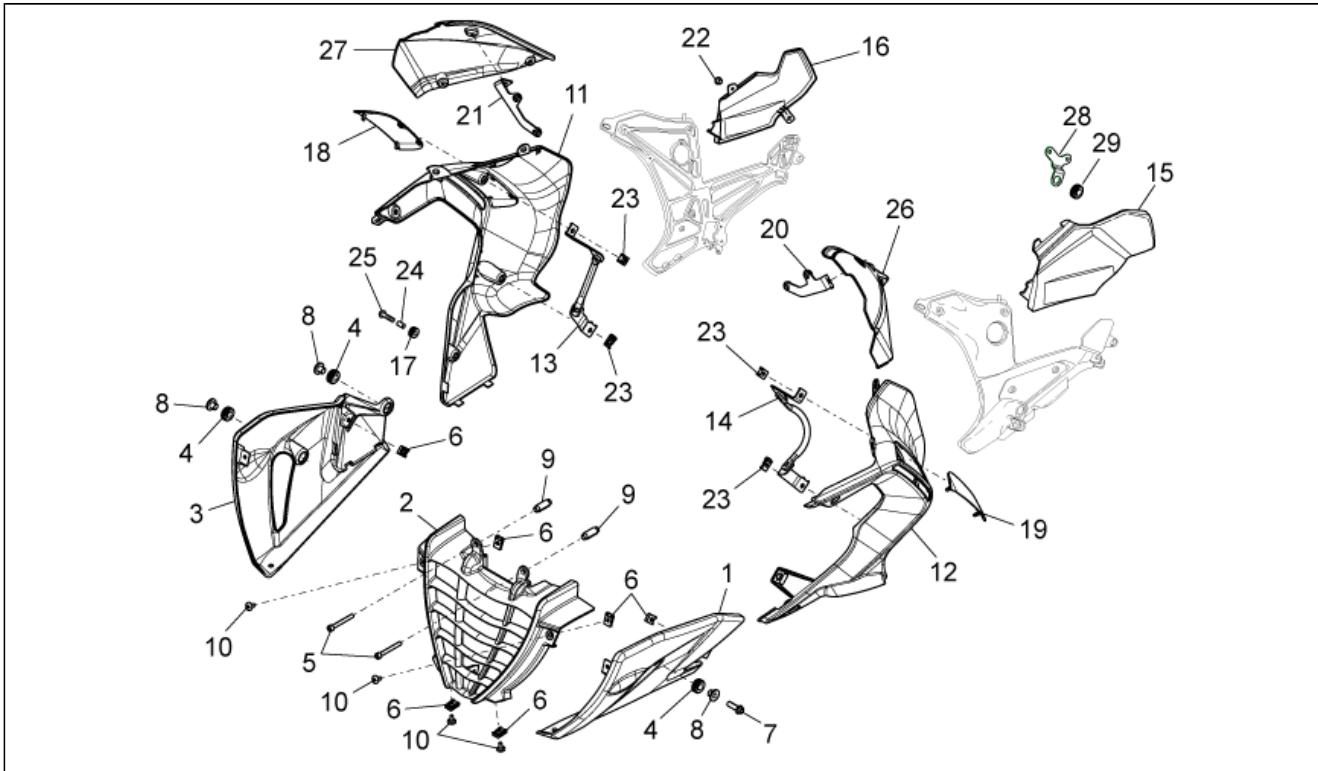
<b>Group</b>	FRAME
<b>Code</b>	33.19
<b>Description</b>	Electro-Windscreen I
<b>Service</b>	1



Pos.	Code	Description	Qty	Variants
1	655463	Electrical motor	1	
2	655461	Sliding guide	1	
3	018639	Hex screw M6x20	6	
4	977638	Sliding block	3	
5	655679	Plate	1	
6	654172	Support bracket	1	
7	883795	Lower plate	1	
8	655465	Threaded pin	2	
9	640468	Switch	2	
10	487665	Drift	2	
11	231908	Spacer	2	
12	274369	Hex socket screw M6x12	2	
13	840542	Screw	2	
14	654174	Special cap screw M2x12*	4	
15	AP8152277	Screw w/ flange	2	
16	654175	Nut M2*	4	
17	003056	Flat washer 6,4x12x1	2	
18	013880	Flat washer 16x6,5x1,5	1	
19	006976	Spring washer	2	

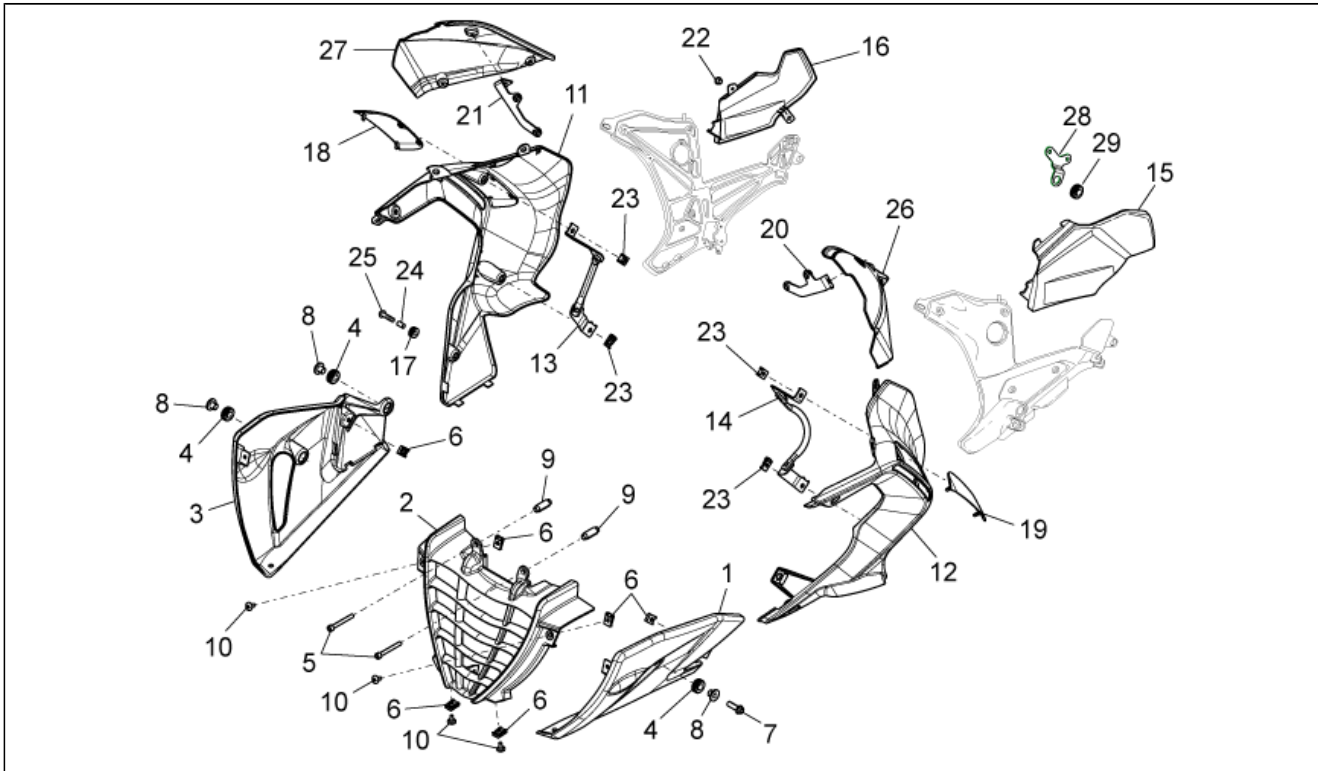


<b>Group</b>	FRAME
<b>Code</b>	33.20
<b>Description</b>	Central body
<b>Service</b>	1



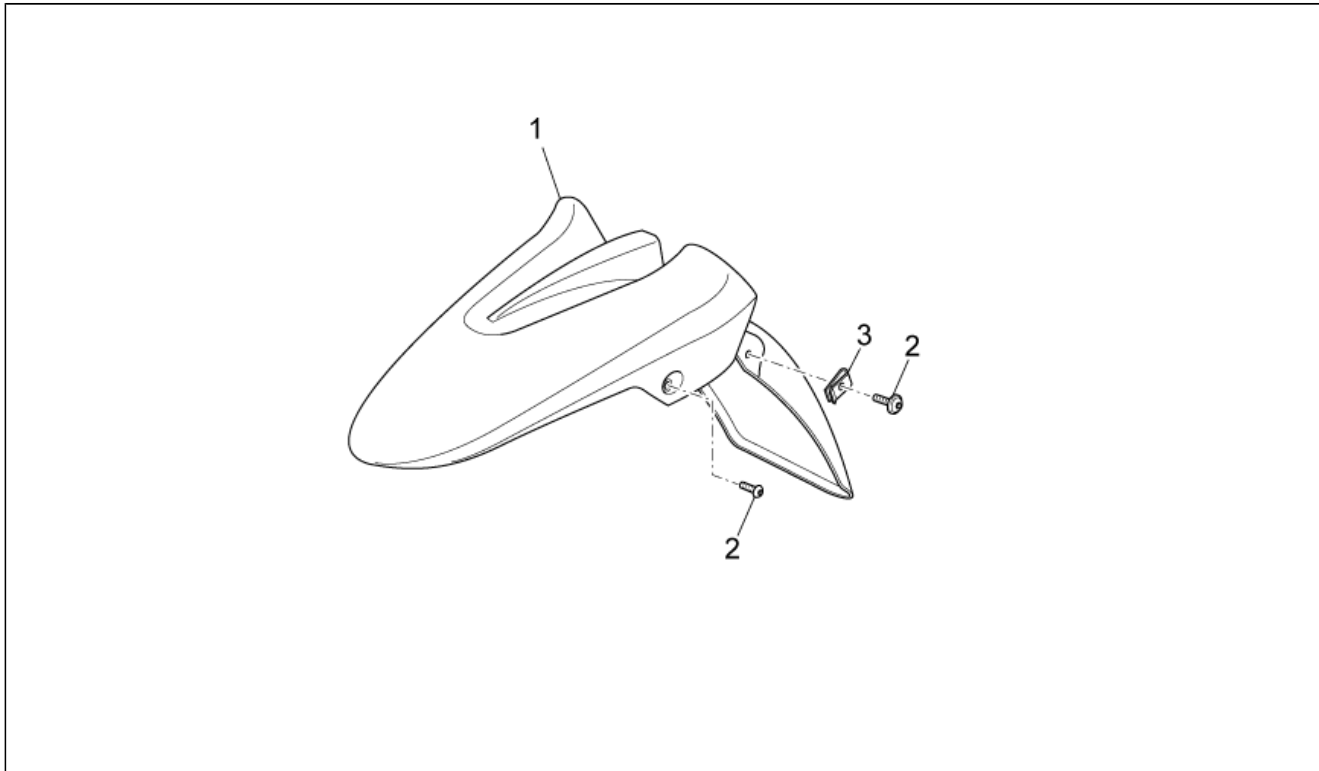
Pos.	Code	Description	Qty	Variants
1	883890	Left pillar	1	
1	88389000F2	Left pillar	1	Colore veicolo:Grey Excalibur (s.t. 883635)[g/exc]
1	88389000XN2	LH pillar, black	1	Colore veicolo:Black Competition (s.t. 883634)[bl/co]
2	883891	Grid	1	
3	883889	Right pillar	1	
3	88388900F2	Right pillar	1	Colore veicolo:Grey Excalibur (s.t. 883635)[g/exc]
3	88388900XN2	RH pillar, black	1	Colore veicolo:Black Competition (s.t. 883634)[bl/co]
4	AP8120594	Rubber spacer	3	
5	AP8150324	Hex socket screw M6x50	2	
6	AP8102375	Clip	6	
7	AP8152287	Screw w/ flange	1	
8	AP8221128	T bush 8,5x10,7x12	3	
9	898051	Spacer	2	
10	AP8150500	Hex socket screw	4	
11	883518	RH side panel, blank	1	
11	88351800F2	RH side panel, grey	1	Colore veicolo:Grey Excalibur (s.t. 883635)[g/exc]
11	88351800XN2	RH side panel, black	1	Colore veicolo:Black Competition (s.t. 883634)[bl/co]
12	883519	LH side panel, blank	1	
12	88351900F2	LH side panel, grey	1	Colore veicolo:Grey Excalibur (s.t. 883635)[g/exc]
12	88351900XN2	LH side panel, black	1	Colore veicolo:Black Competition (s.t. 883634)[bl/co]
13	977619	RH support	1	
14	977623	LH support	1	
15	883977	LH rear panel	1	
16	883978	RH rear panel	1	
17	AP8120405	Rubber spacer *	6	
18	883520	RH cover	1	
19	883521	LH cover	1	
20	883946	LH plate	1	

<b>Group</b>	FRAME
<b>Code</b>	33.20
<b>Description</b>	Central body
<b>Service</b>	1



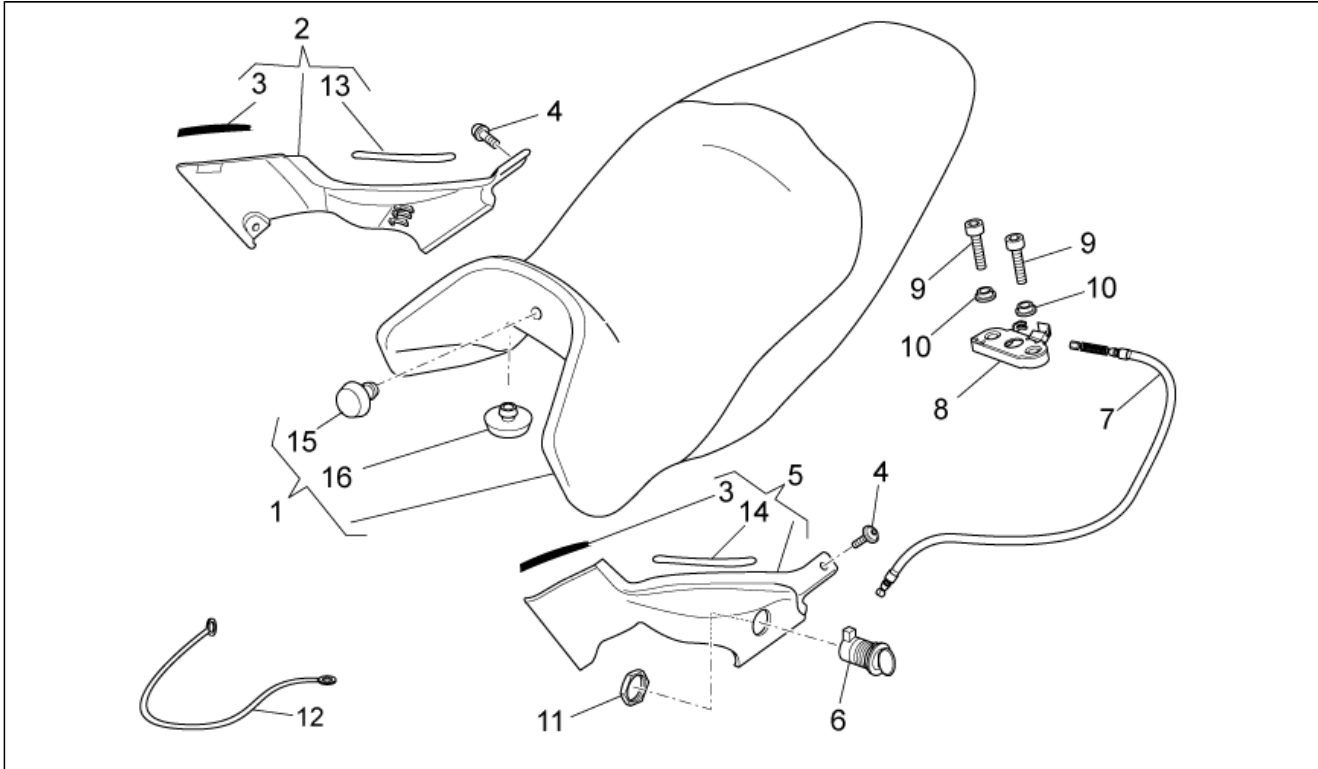
Pos.	Code	Description	Qty	Variants
21	883947	RH plate	1	
22	GU31576183	Spacer	1	
23	AP8102375	Clip	4	
24	GU91180506	Spacer	4	
25	AP8152298	Screw w/ flange	6	
26	883630	LH rear wall	1	
27	883629	RH rear wall	1	
28	898254	Side panel fixing plate	1	
29	AP8120030	Rubber spacer *	1	

<b>Group</b>	FRAME
<b>Code</b>	33.22
<b>Description</b>	Front mudguard
<b>Service</b>	1



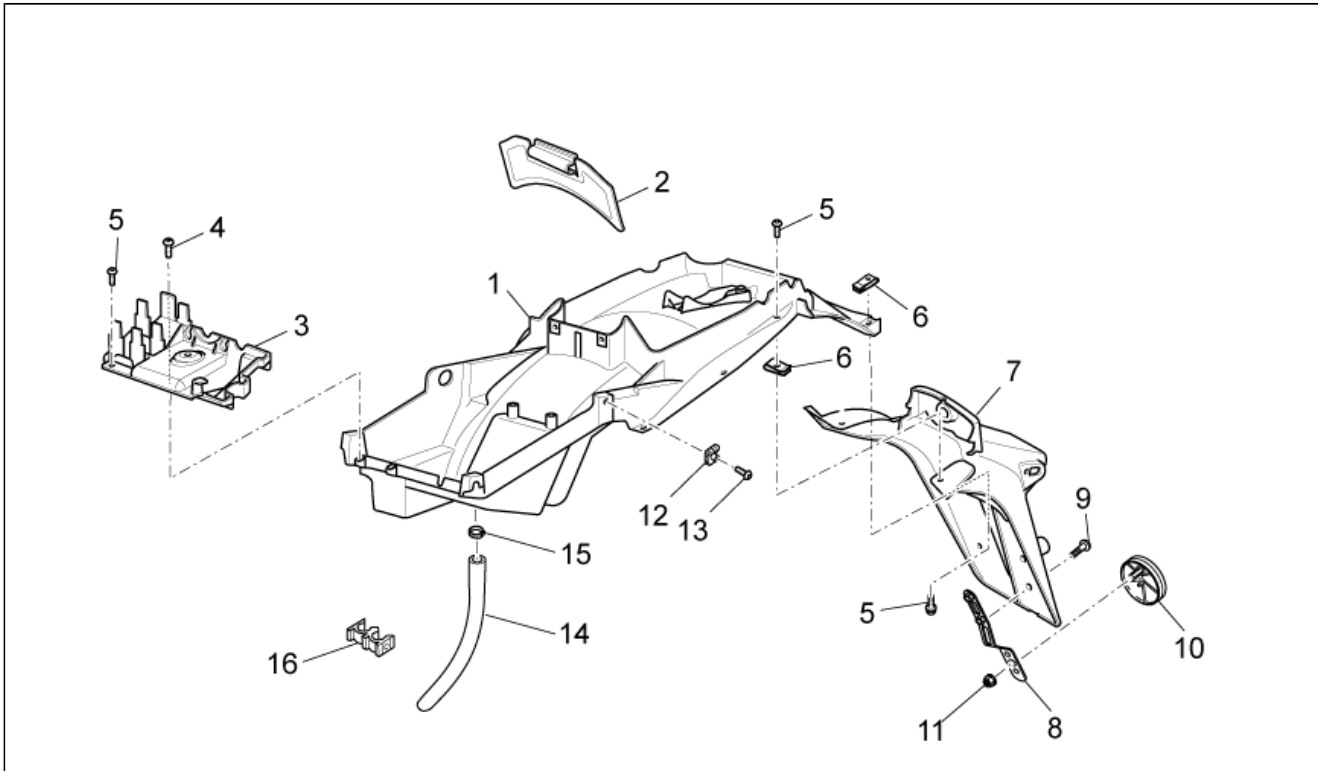
Pos.	Code	Description	Qty	Variants
1	GU05434330	Front mudguard blank	1	
1	GU0543433000XN2	Front mudguard, black	1	<b>Colore veicolo:</b> Black Competition (s.t. 883634)[bl/co]
1	GU05434330F2A	Front mudguard, grey	1	<b>Colore veicolo:</b> Grey Excalibur (s.t. 883635)[g/exc]
2	AP8152302	Screw w/ flange	4	
3	AP8102375	Clip	2	

<b>Group</b>	FRAME
<b>Code</b>	33.23
<b>Description</b>	Saddle-Central bod
<b>Service</b>	1



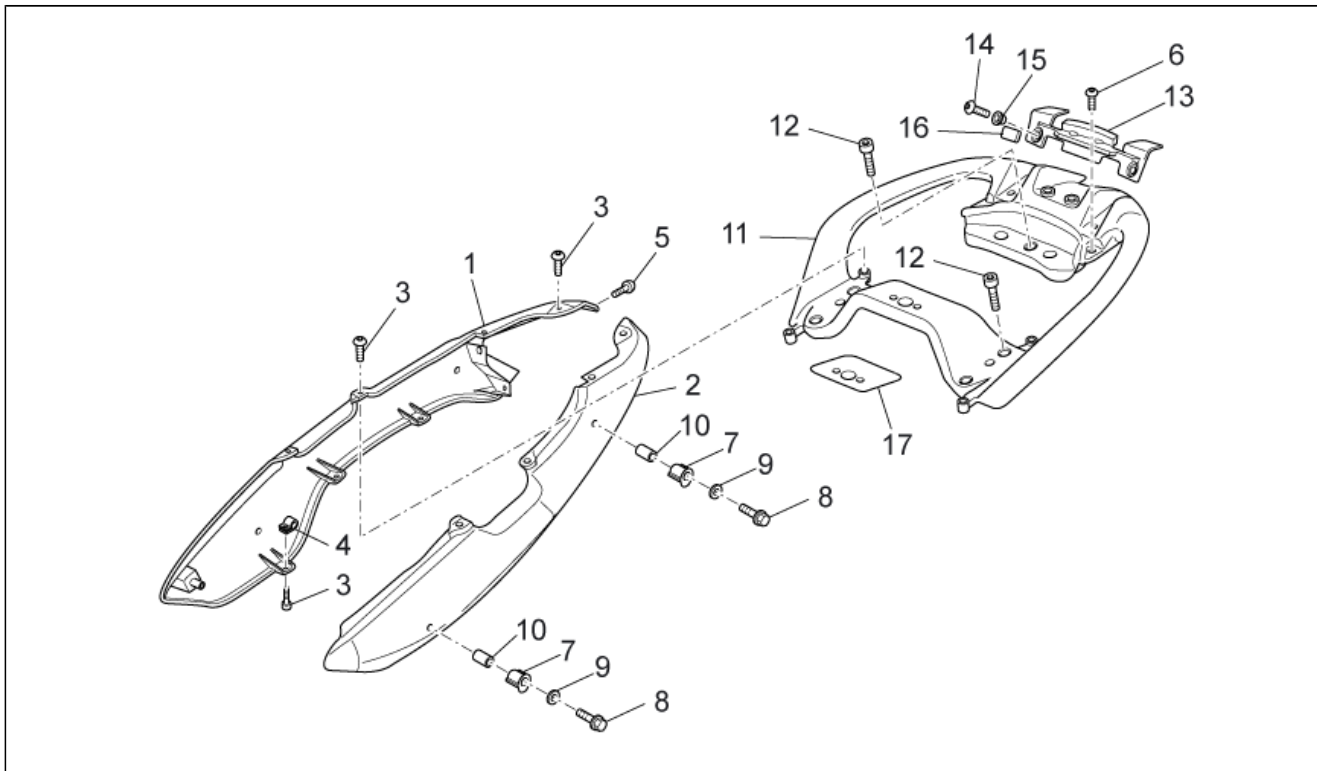
Pos.	Code	Description	Qty	Variants
1	883824	Two-seat saddle	1	
2	GU05570230	RH body panel blank	1	
2	GU0557023000XN2	RH side panel, black	1	Colore veicolo:Black Competition (s.t. 883634)[bl/co]
2	GU05570230F2	RH side panel, grey	1	Colore veicolo:Grey Excalibur (s.t. 883635)[g/exc]
3	890517	Front fairing gasket	2	
4	AP8152339	Screw w/ flange	2	
5	883496	LH body panel blank	1	
5	88349600F2	LH side panel, grey	1	Colore veicolo:Grey Excalibur (s.t. 883635)[g/exc]
5	88349600XN2	LH side panel, black	1	Colore veicolo:Black Competition (s.t. 883634)[bl/co]
6	GU05466830	Saddle lock	1	
7	AP8102914	Saddle release cable	1	
8	AP8102913	Pass.saddle connecting plate	1	
9	GU98370625	Hex socket screw	2	
10	AP8152299	Self-locking nut	2	
11	AP8102523	Lock nut	1	
12	AP8102502	Helmet lock cable	1	
13	GU05573830	RH side fairing decal	1	
14	GU05573831	LH side fairing decal	1	
15	GU32461810	Rubber spacer	5	
16	GU32461610	Rubber spacer	10	

<b>Group</b>	FRAME
<b>Code</b>	33.24
<b>Description</b>	Rear body - Mudguard
<b>Service</b>	1



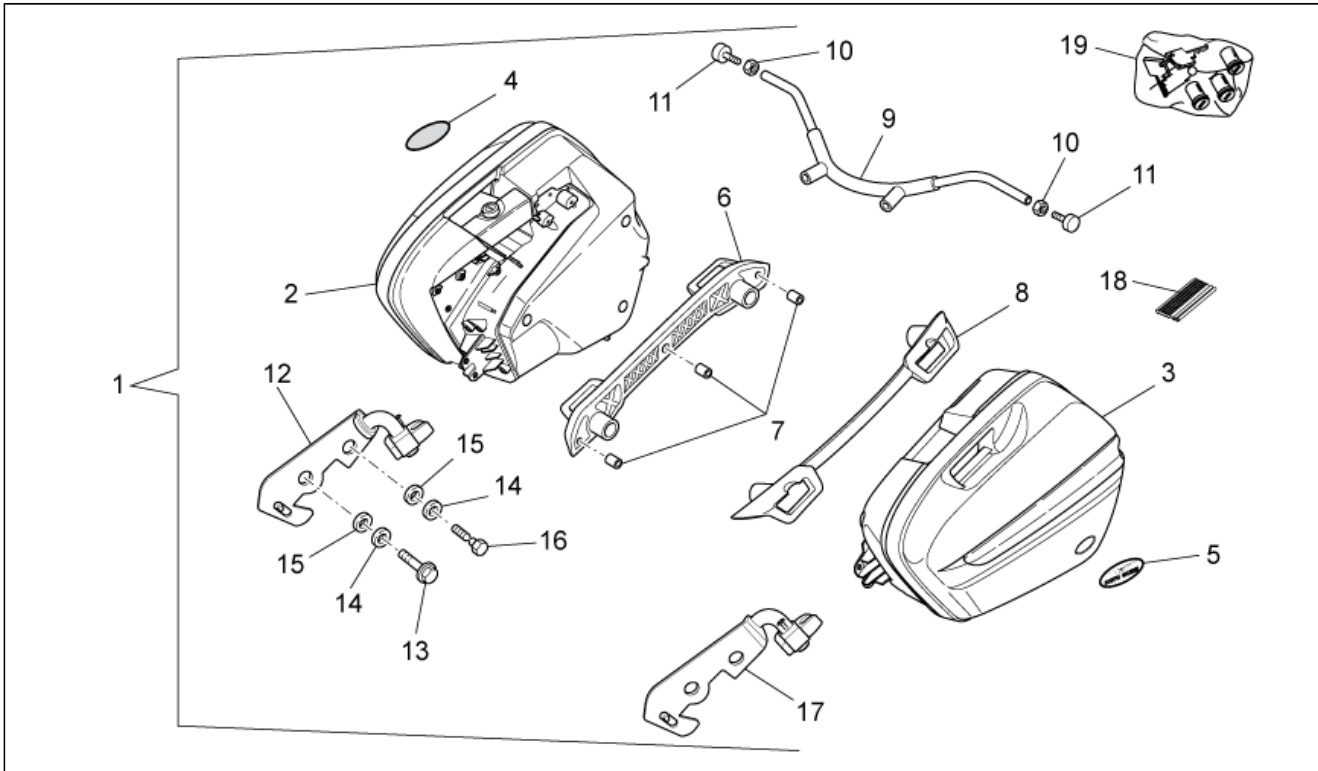
Pos.	Code	Description	Qty	Variants
1	883828	Splash guard	1	
2	GU05479630	Door	1	
3	883682	Supporto ABS	1	
4	AP8152329	Phillips screw, SWP M5x20	3	
5	AP8152339	Screw w/ flange	7	
6	AP8102375	Clip	4	
7	GU05438630	Number plate holder	1	
8	AP8134448	Reflector support	1	
9	AP8152268	Hex socket screw	2	
10	AP8224164	Rear reflector, red	1	
11	AP8152306	Self-locking nut	1	
12	GU28576591	Clip M6	6	
13	GU98370614	Hex socket screw	6	
14	896544	Fuel pipe 5,5x10	1	
15	AP8101595	Hose clamp D10,1*	1	
16	AP8201808	Cable-guide D8	2	

<b>Group</b>	FRAME
<b>Code</b>	33.25
<b>Description</b>	Rear body - Rear fairing
<b>Service</b>	1



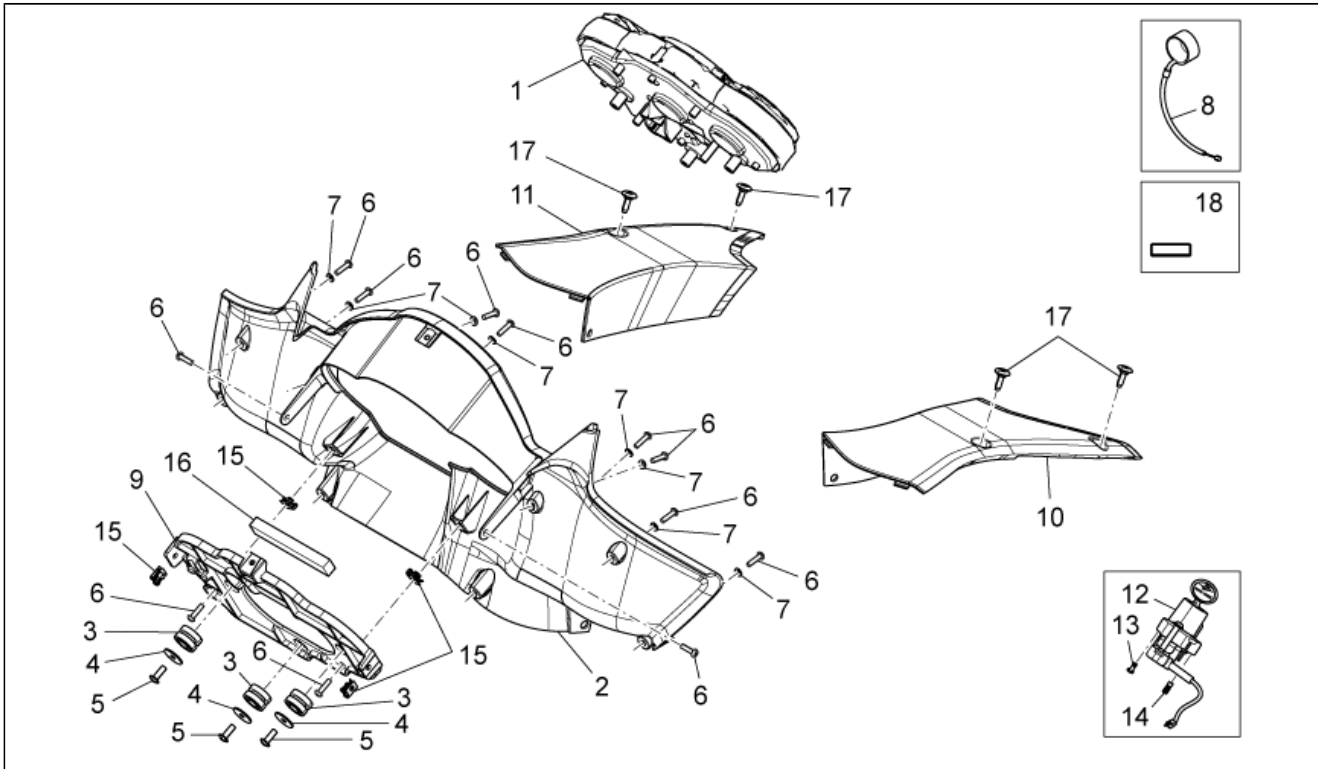
Pos.	Code	Description	Qty	Variants
1	GU05573230	RH rear fairing, blank	1	
1	GU0557323000XN2	RH rear fairing, black	1	Colore veicolo:Black Competition (s.t. 883634)[bl/co]
1	GU05573230F2	RH rear fairing, grey	1	Colore veicolo:Grey Excalibur (s.t. 883635)[g/exc]
2	GU05573330	LH rear fairing, blank	1	
2	GU0557333000XN2	LH rear fairing, black	1	Colore veicolo:Black Competition (s.t. 883634)[bl/co]
2	GU05573330F2	LH rear fairing, grey	1	Colore veicolo:Grey Excalibur (s.t. 883635)[g/exc]
3	AP8152339	Screw w/ flange	10	
4	AP8102375	Clip	10	
5	GU98682215	Hex socket screw	2	
6	AP8152302	Screw w/ flange	2	
7	GU05467330	Hook	4	
8	AP8152292	Screw w/ flange	4	
9	GU03270300	Washer 8,4x15	4	
10	GU91120924	Spacer 9x18x24	4	
11	GU05464330NA	Handle. Black	1	
12	GU98682425	Hex socket screw M8x25	5	
13	GU05464830	Cover	1	
14	AP8152055	Hex socket screw M8x12	2	
15	AP8121096	T bush 8,2x12x4	2	
16	AP8120455	Rubber spacer	2	
17	GU32944210	Guard decal	1	

<b>Group</b>	FRAME
<b>Code</b>	33.26
<b>Description</b>	Side cases
<b>Service</b>	1



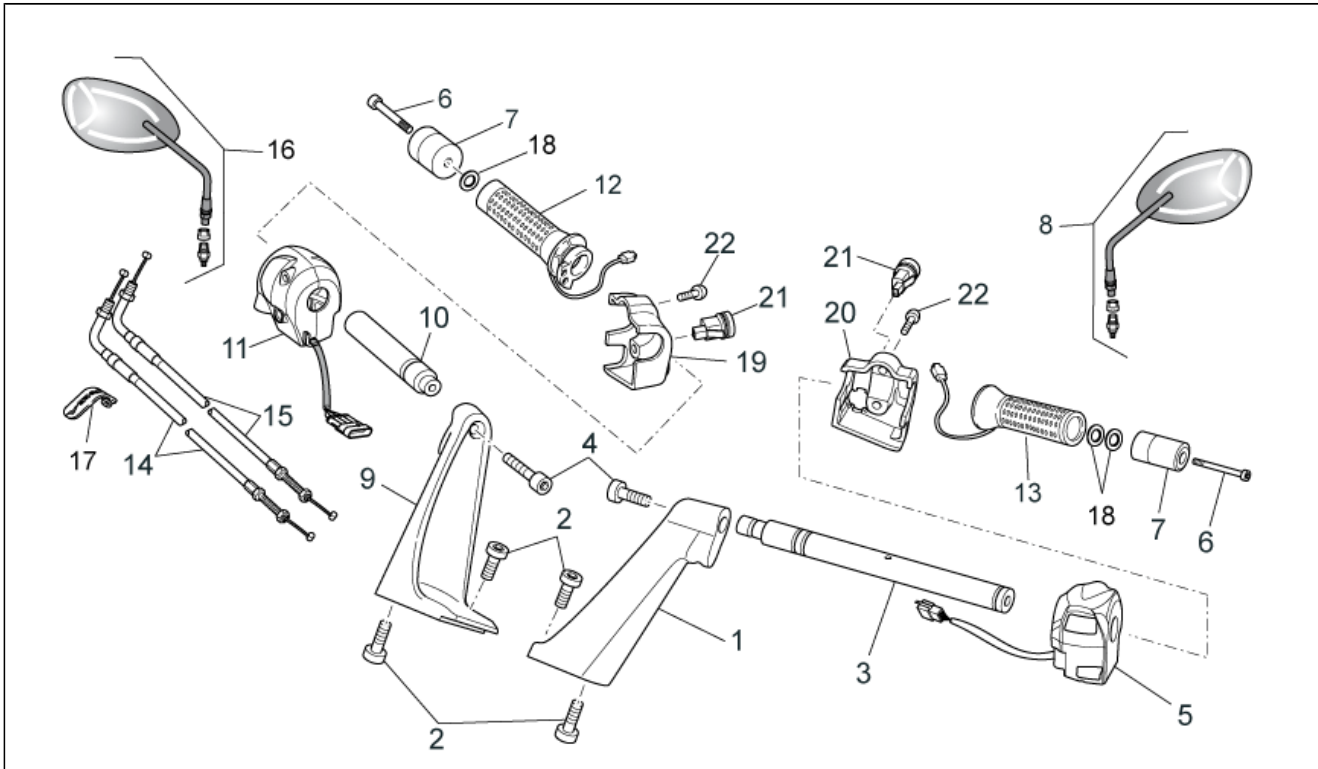
Pos.	Code	Description	Qty	Variants
1	97770600XN2	Suitcase kit	1	Colore veicolo:Black Competition (s.t. 883634)[bl/co]
1	977706F2	Suitcase kit	1	Colore veicolo:Grey Excalibur (s.t. 883635)[g/exc]
2	97720100XN2	RH case, black	1	Colore veicolo:Black Competition (s.t. 883634)[bl/co]
2	977201F2	RH suitcase, grey	1	Colore veicolo:Grey Excalibur (s.t. 883635)[g/exc]
3	97720200XN2	LH case, black	1	Colore veicolo:Black Competition (s.t. 883634)[bl/co]
3	977202F2	LH suitcase, grey	1	Colore veicolo:Grey Excalibur (s.t. 883635)[g/exc]
4	977303	"Moto Guzzi" dataplate	1	
5	977218	Aluminium plate	1	
6	GU05485030	RH support	1	
7	AP8144629	Rubber spacer *	6	
8	GU05486530	LH support	1	
9	977735	Side case connect.crosspiece	1	
10	AP8150333	Serpress nut	2	
11	AP8706329	Saddle rubber	2	
12	GU05485130	RH connecting *	1	
13	598839	Screw w/ flange	2	
14	AP8150429	Spring washer 6,4x11x0,5*	2	
15	AP8150015	Washer 6,6x18x1,6*	2	
16	AP8152140	Shear rivet M6x17	2	
17	GU05486630	LH connecting	1	
18	883246	Gasket	2	
19	978220	Rotor kit with key	1	

<b>Group</b>	FRAME
<b>Code</b>	33.29
<b>Description</b>	Dashboard
<b>Service</b>	1



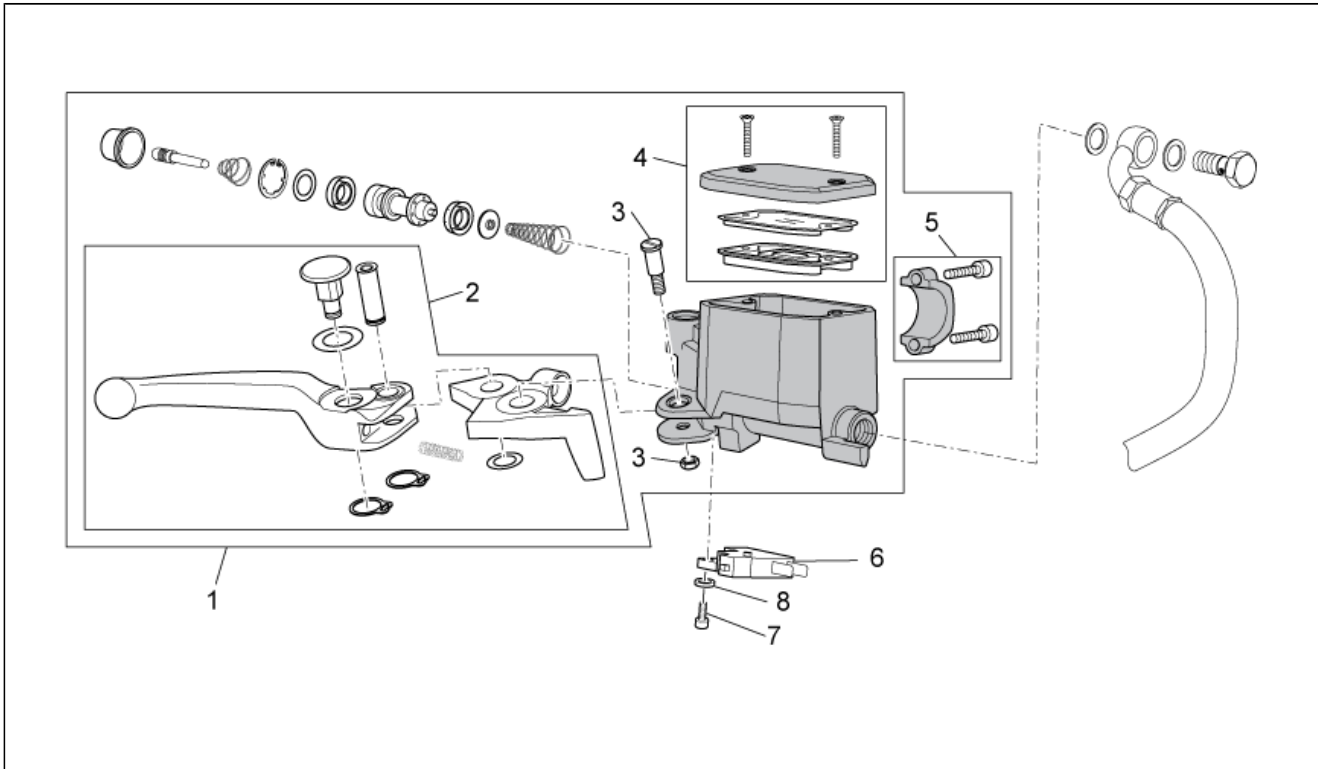
Pos.	Code	Description	Qty	Variants
1	883567	Dashboard	1	Paese:Europa[EU]
1	883568	Dashboard	1	Paese:Gran Bretagna[UK]
2	897582	Socket support	1	
3	AP8220150	Rubber spacer *	3	
4	AP8150255	Washer 5x20x1,5	3	
5	AP8150509	Self-tap screw 5x14	3	
6	AP8150493	Hex socket screw M4x16	12	
7	AP8144565	Nylon washer	8	
8	981087	Immobilizer antenna	1	
9	897585	Flange	1	
10	897581	LH Dashboard	1	
11	897580	RH Dashboard	1	
12	GU05782530	Main switch - steering lock	1	
13	GU98682430	Hex socket screw M8x30	1	
14	AP8152238	Shear rivet	1	
15	AP8102381	Clip M4	4	
16	GU01573960	Vibration-damping rubber	1	
17	AP8152302	Screw w/ flange	4	
18	883720	Rubber spacer	1	

<b>Group</b>	FRAME
<b>Code</b>	33.31
<b>Description</b>	Handlebar - Controls
<b>Service</b>	1



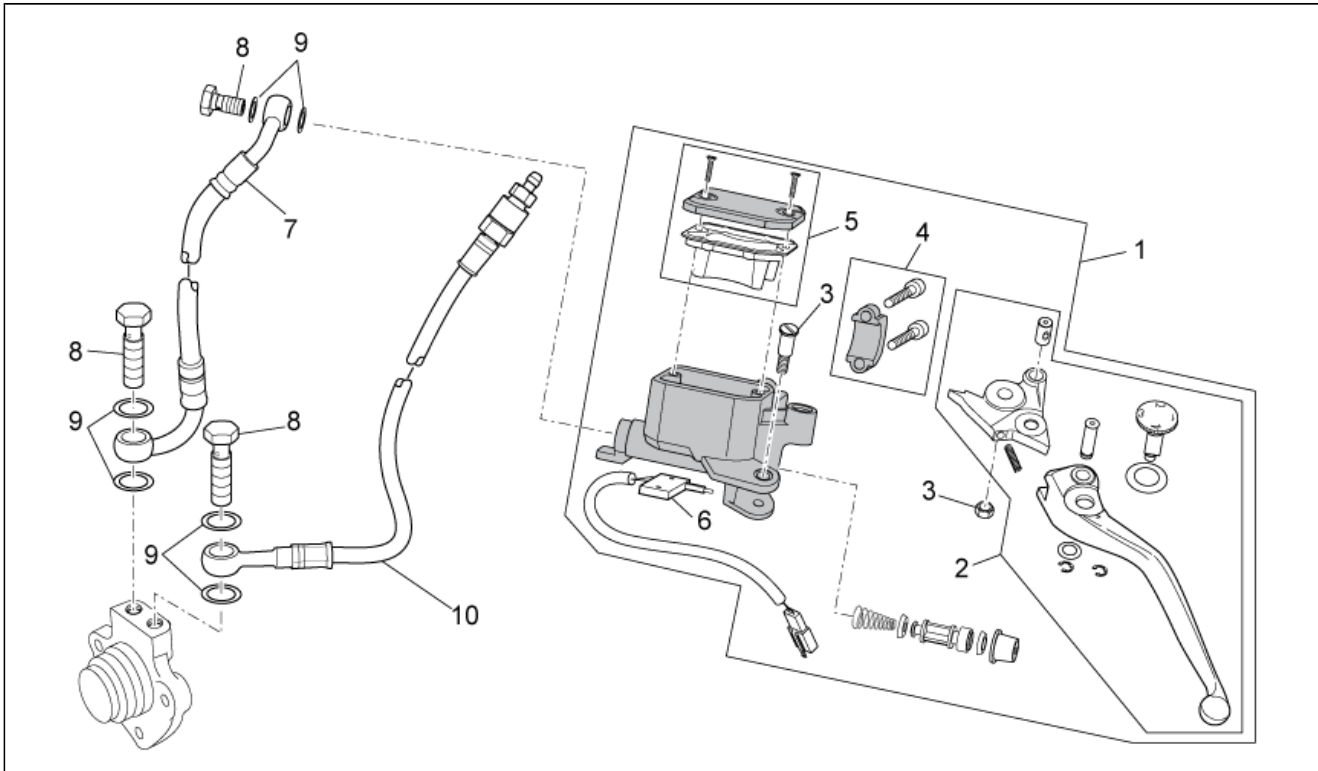
Pos.	Code	Description	Qty	Variants
1	898129	Left half handlebar	1	
2	GU98690440	Screw	6	
3	GU05600930	LH handlebar tube	1	
4	GU98832430	Screw	2	
5	886229	LH lights selector	1	
6	GU98680370	Screw M6x70	2	
7	AP8104572	Anti.v weight, black	2	
8	AP8104922	LH rearview mirror	1	
9	898128	Right half handlebar	1	
10	GU05600230	RH handlebar tube	1	
11	886160	Device r.h.	1	
12	977906	R.H. heated grip	1	
13	AP8706527	L.H. heated grip	1	
14	886632	Gas lever transmission	1	
15	886633	Transmission	1	
16	AP8104921	RH rearview mirror	2	
17	GU01609630	Hose clamp L46 mm	2	
17	GU03609600	Hose clamp L36 mm	4	
18	GU05604630	Spacer 6x21x4	3	
19	977628	RH U-bolt	1	
20	977629	LH U-bolt	1	
21	977740	Button	2	
22	GU98612325	Screw M6x25	2	

<b>Group</b>	FRAME
<b>Code</b>	33.32
<b>Description</b>	Front master cilinder
<b>Service</b>	1



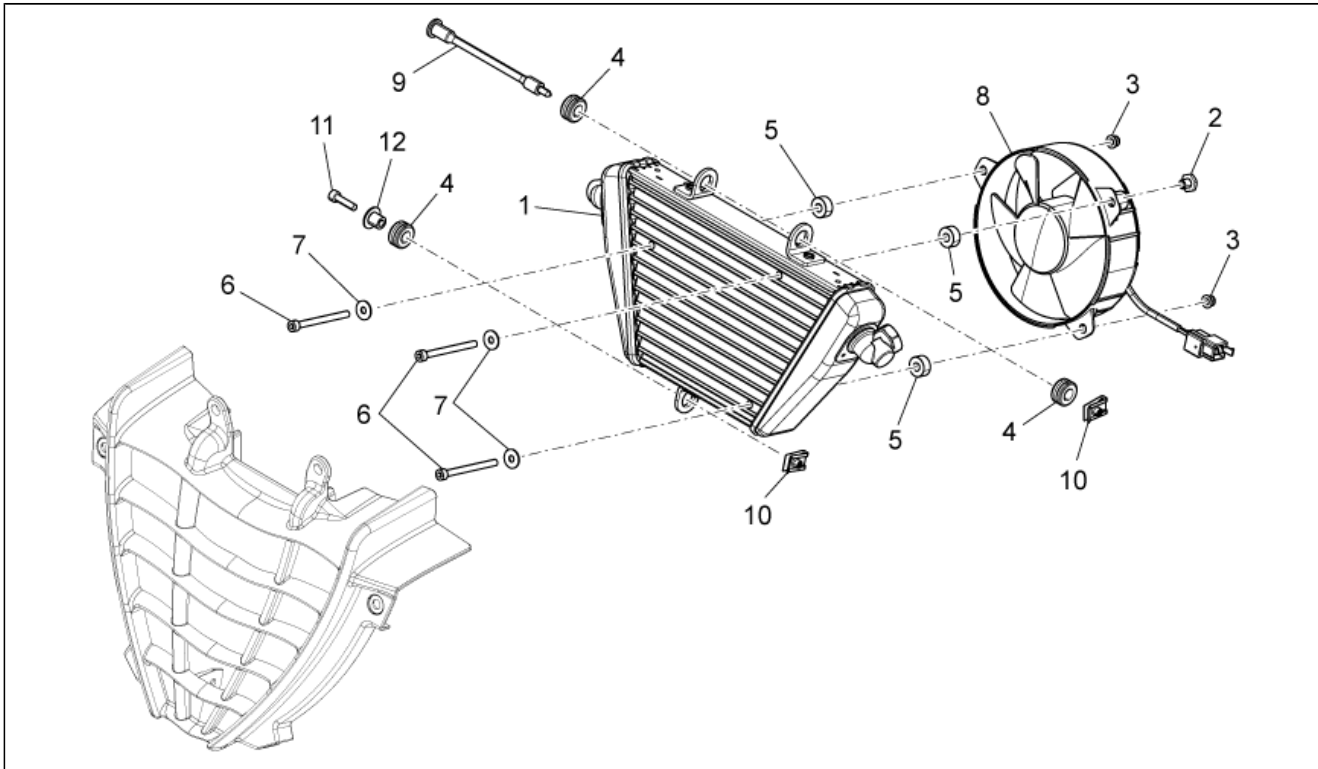
Pos.	Code	Description	Qty	Variants
1	978606	Front master cilinder	1	
2	981050	Front brake lever	1	
3	AP8113995	Lever pin	1	
4	GU05661130	Tank cap	1	
5	AP8113993	U-bolt	1	
6	AP8224192	Brake light switch w/ rubber	1	
7	GU98370412	Hex socket screw M4x12	1	
8	GU95021104	Washer 4,3x8x1,5	1	

<b>Group</b>	FRAME
<b>Code</b>	33.33
<b>Description</b>	Clutch control complete
<b>Service</b>	1



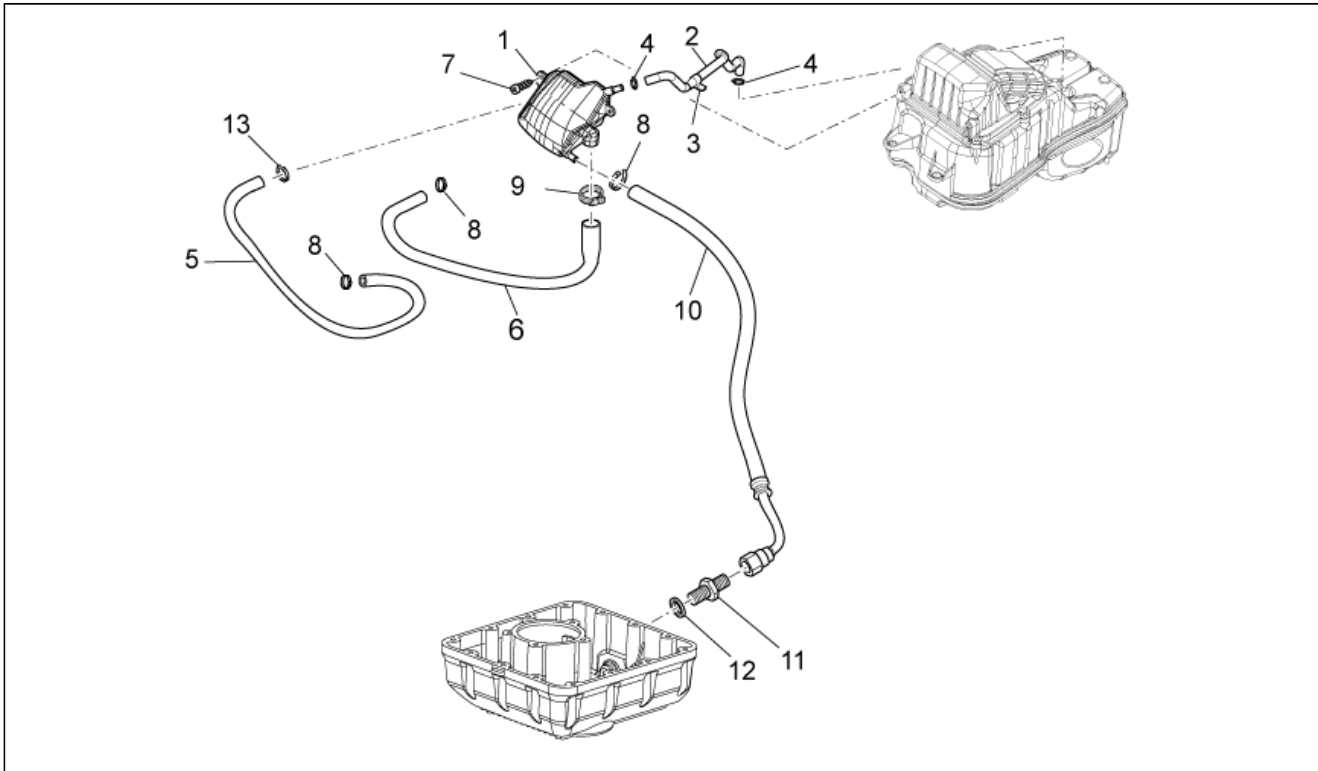
Pos.	Code	Description	Qty	Variants
1	978607	Clutch pump	1	
2	981046	Clutch lever	1	
3	GU03604845	Lever pin	1	
4	AP8113993	U-bolt	1	
5	AP8113997	Tank cap	1	
6	AP8113998	Microswitch	1	
7	GU05606530	Clutch pipe	1	
8	AP8133594	Oil pipe screw	3	
9	AP8113004	Washer 10x14x1,6*	6	
10	GU05606630	Float chambe clutch pipe	1	

<b>Group</b>	FRAME
<b>Code</b>	33.34
<b>Description</b>	Oil cooler
<b>Service</b>	1



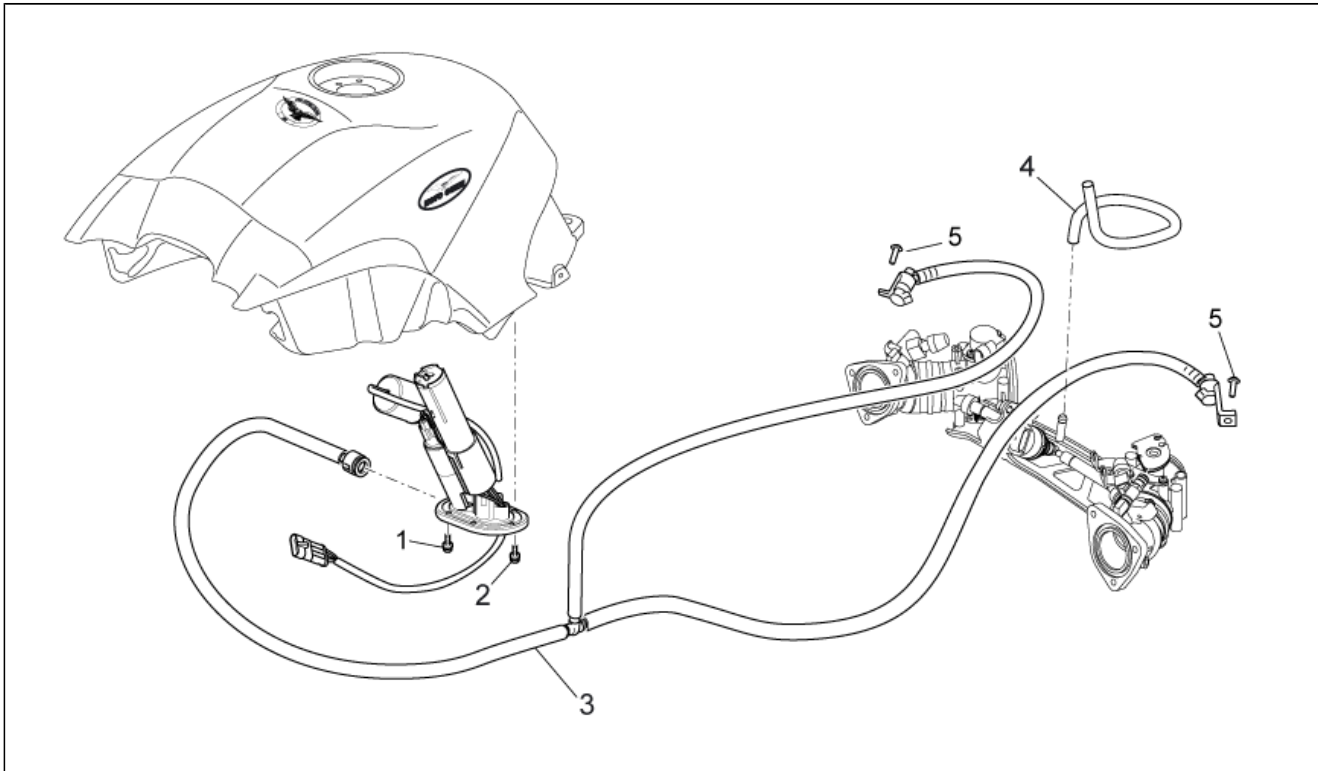
Pos.	Code	Description	Qty	Variants
1	886123	Oil cooler	1	
2	886594	Threaded bush	1	
3	AP8152306	Self-locking nut	2	
4	AP8120030	Rubber spacer *	3	
5	AP8161083	Spacer	3	
6	AP8150523	Hex socket screw M5x60	3	
7	AP8150248	Washer 5,5x15x1,6	3	
8	886235	Electric fan assy.	1	
9	898050	Pin	1	
10	AP8102375	Clip	2	
11	AP8150252	Hex socket screw	1	
12	898244	T bush	1	

<b>Group</b>	FRAME
<b>Code</b>	33.35
<b>Description</b>	Blow-by system
<b>Service</b>	1



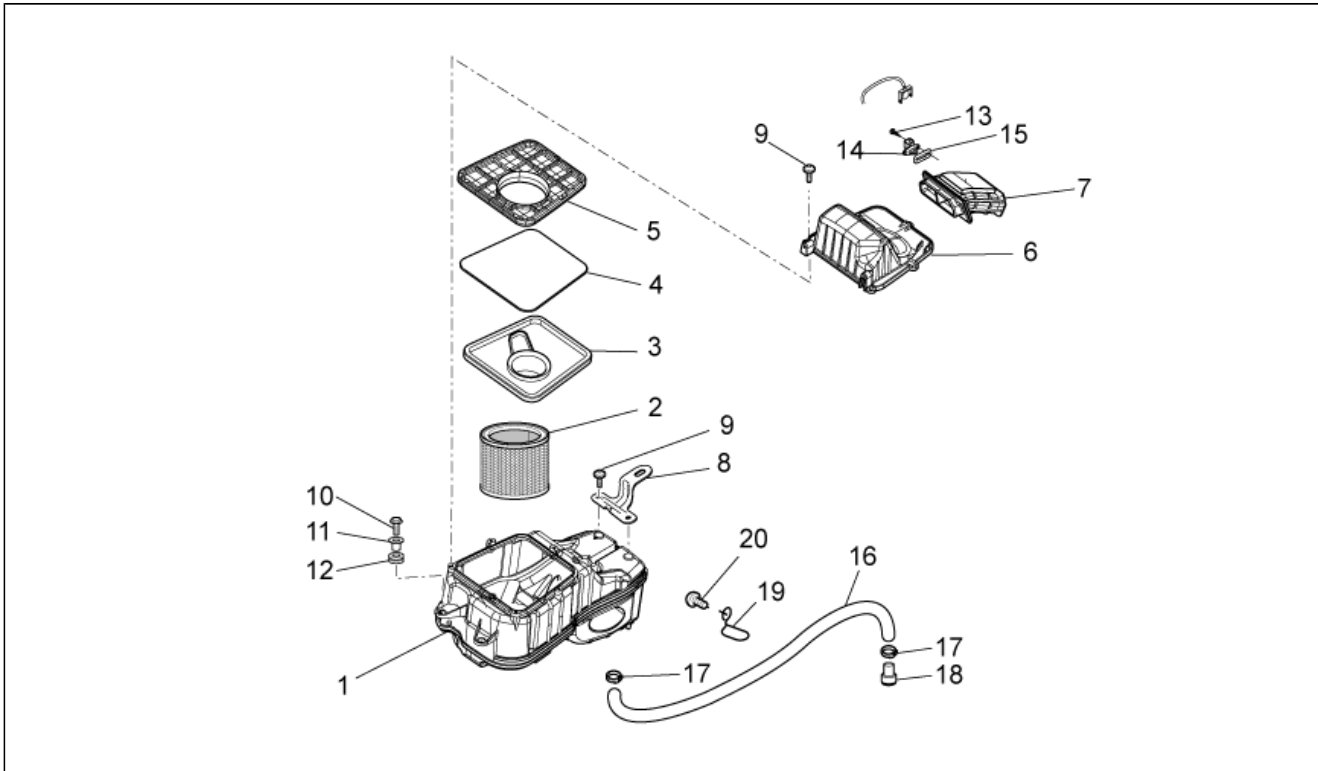
Pos.	Code	Description	Qty	Variants
1	883495	Housing	1	
2	GU05157430	Breather pipe	1	
3	890721	Wiring clip	1	
4	AP8102520	Hose clamp	2	
5	883499	RH pipe	1	
6	883500	LH pipe	1	
7	AP8150509	Self-tap screw 5x14	2	
8	AP8101586	Hose clip D.15,5x6,6	3	
9	GU93306018	Hose clamp 17X29X8	1	
10	GU05159330	Pipe	1	
11	GU01161331	Reduction	1	
12	GU01154230	Gasket	1	
13	GU93306017	Hose clamp	4	

<b>Group</b>	FRAME
<b>Code</b>	33.36
<b>Description</b>	Fuel supply
<b>Service</b>	1



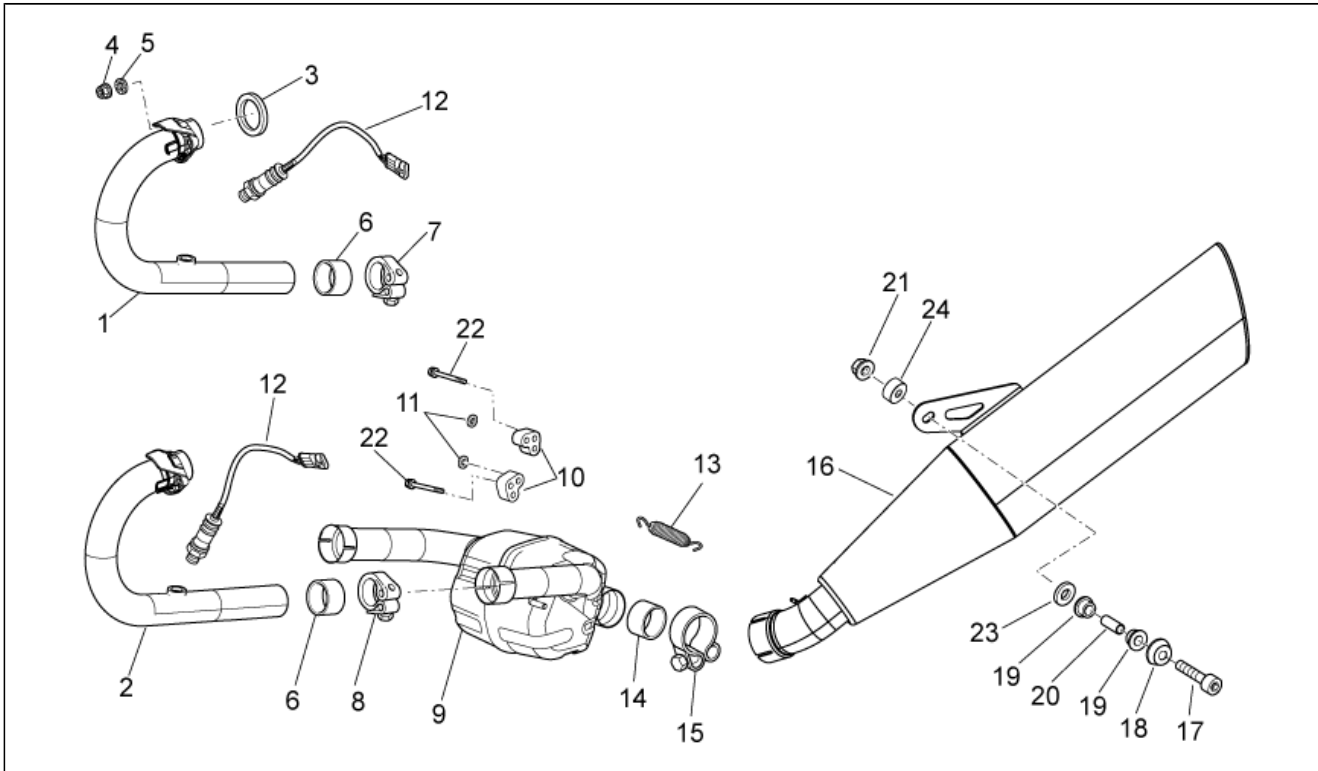
Pos.	Code	Description	Qty	Variants
1	AP8152274	Screw w/ flange M5x20	2	
2	AP8152273	Screw w/ flange	4	
3	883275	Fuel pipe, cpl.	1	
4	GU05135930	Pipe	1	
5	AP8152298	Screw w/ flange	2	

<b>Group</b>	FRAME
<b>Code</b>	33.37
<b>Description</b>	Air box
<b>Service</b>	1



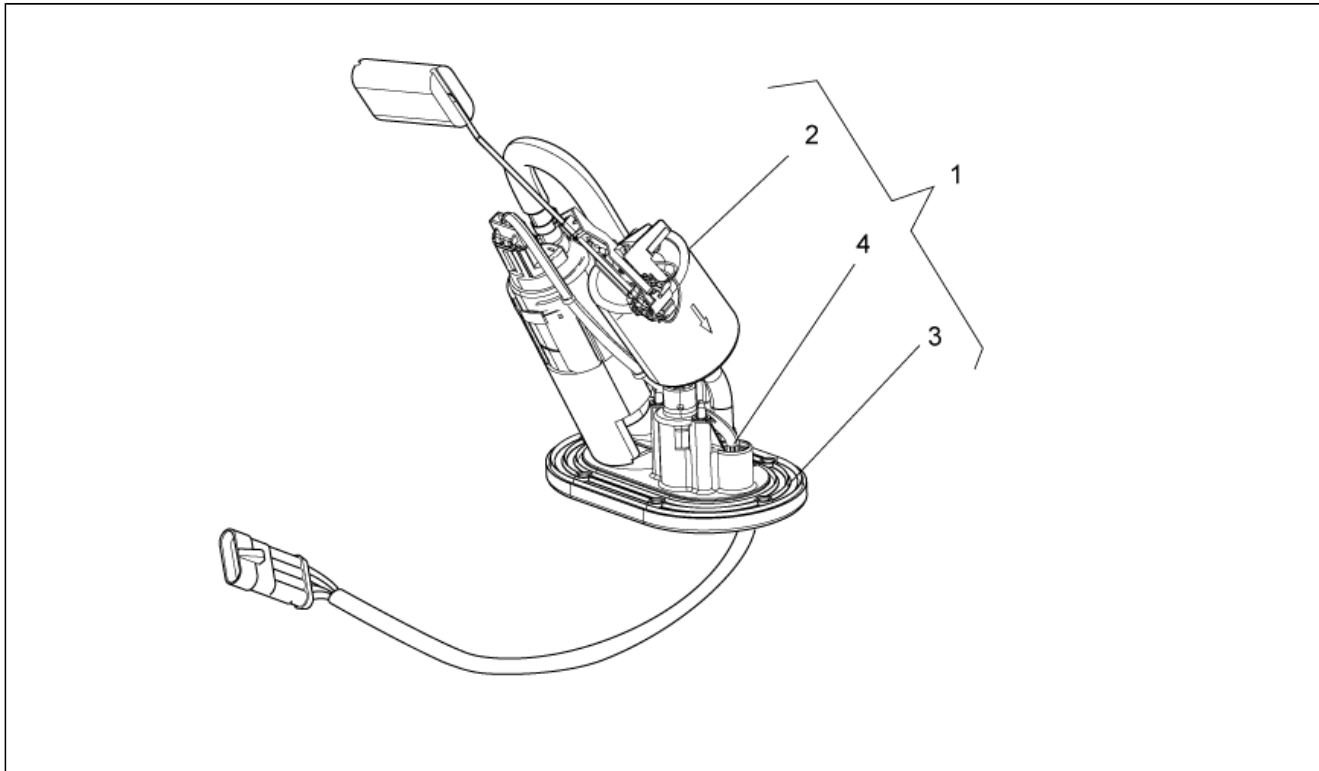
Pos.	Code	Description	Qty	Variants
1	GU05114031	Air box	1	
2	AP8104211	Air filter	1	
3	GU05113730	Protection	1	
4	AP8120615	Gasket D3	1	
5	GU05103830	Adhesive sponge	1	
6	GU05113530	Cover	1	
7	AP8144164	Intake hose	1	
8	GU05114130	Air box support	1	
9	AP8152329	Phillips screw, SWP M5x20	7	
10	AP8152279	Screw w/ flange M6x20	2	
11	AP8221023	T bush *	2	
12	AP8120030	Rubber spacer *	2	
13	AP8150421	Self-tap screw 2,9x12	2	
14	GU30729330	Air temp. Sensor	1	
15	GU30027931	Gasket	1	
16	AP8144038	Fuel pipe 6x10	1	
17	AP8101595	Hose clamp D10,1*	2	
18	AP8120876	Plug	1	
19	AP8120428	Cable-guide	1	
20	598839	Screw w/ flange	1	

<b>Group</b>	FRAME
<b>Code</b>	33.38
<b>Description</b>	Exhaust unit
<b>Service</b>	1



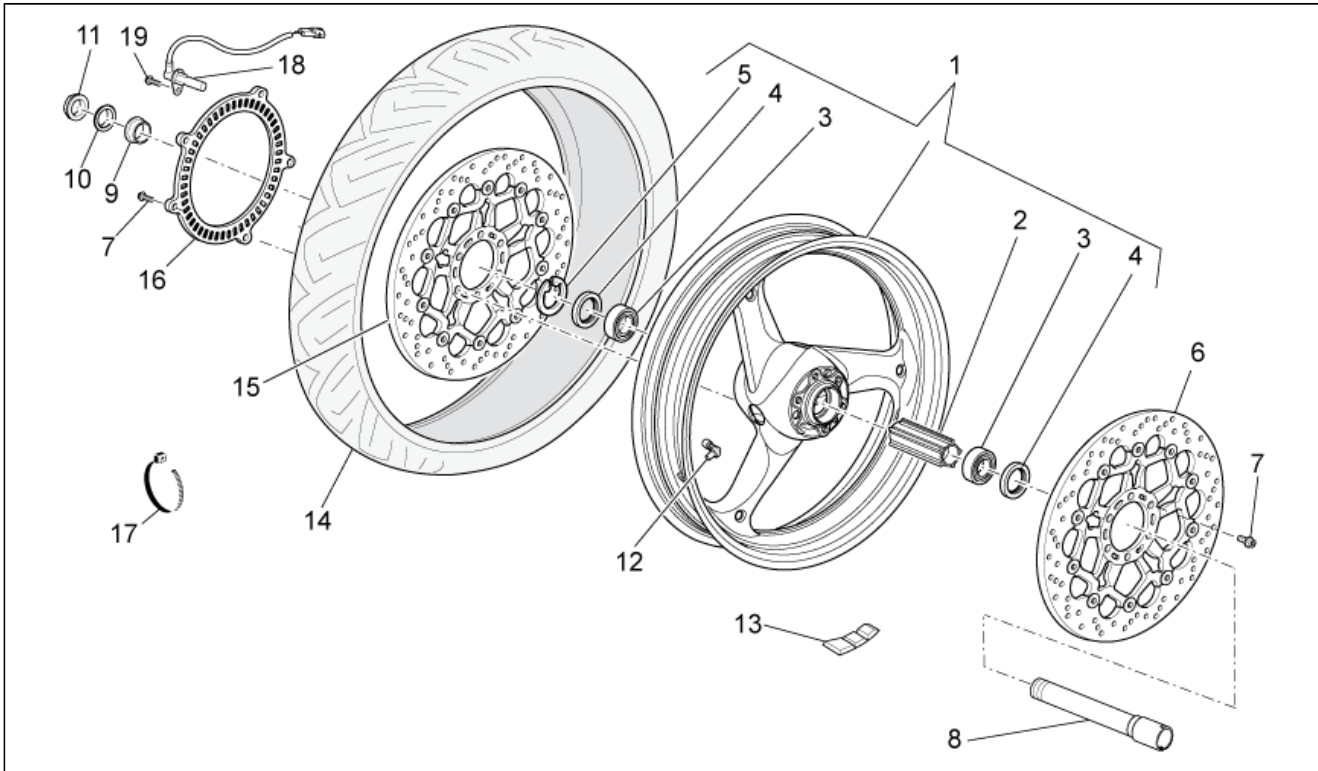
Pos.	Code	Description	Qty	Variants
1	886371	RH exhaust pipe	1	
2	886372	LH exhaust pipe	1	
3	976376	Gasket	2	
4	GU92660021	Flanged nut M8	4	
5	GU14615901	Washer 8,4X13X0,8	4	
6	GU05121630	Gasket	2	
7	976522	RH hose clamp	4	
8	976523	LH hose clamp	2	
9	883540	Central exhaust compensator	2	
10	GU05124230	Rubber spacer	2	
11	GU90274008	Washer for shafts D8	4	
12	584344	Lambda sensor	2	
13	AP8121170	Spring	1	
14	GU05128230	Gasket	1	
15	976521	Hose clamp	1	
16	883541	Silencer	1	
17	GU98680445	Hex socket screw	1	
18	AP8134378	Silencer fixing bush	1	
19	AP8144071	Rubber exhaust	2	
20	883079	Spacer	1	
21	GU92650138	Nut M8x1,25	1	
22	GU05124330	Screw	2	
23	GU95005312	Washer 8,5x24x2	1	
24	883843	Spacer	1	

<b>Group</b>	FRAME
<b>Code</b>	33.39
<b>Description</b>	Internal fuel pump
<b>Service</b>	1



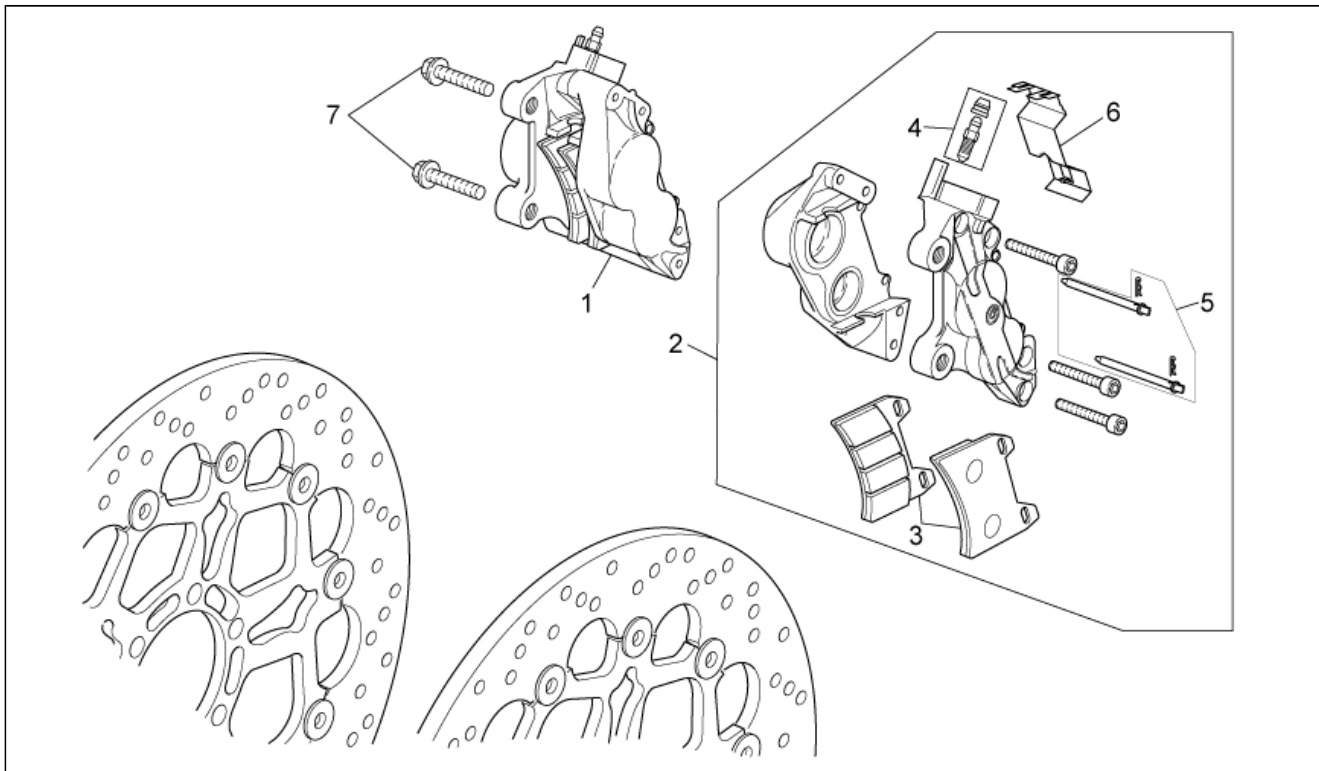
Pos.	Code	Description	Qty	Variants
1	978825	Fuel pump cpl.	1	
2	GU01106090	Fuel filter	1	
3	GU05107430	Gasket	1	
4	GU01108490	Hose clamp 11,3	4	

<b>Group</b>	FRAME
<b>Code</b>	33.40
<b>Description</b>	Front wheel
<b>Service</b>	1



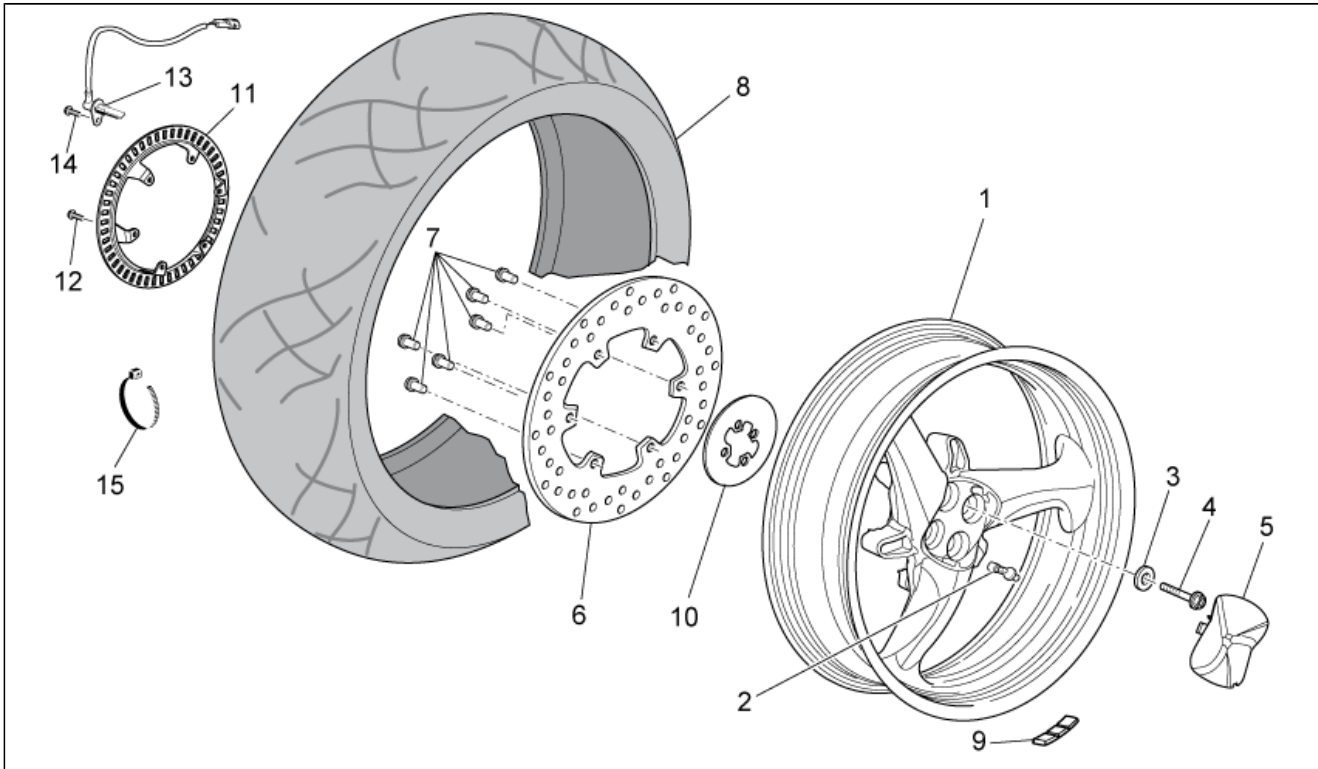
Pos.	Code	Description	Qty	Variants
1	GU05610530	Front wheel, black 3,5x17"	1	
2	GU05615230	Spacer	1	
3	AP8125777	Ball bearing 25x47x12	2	
4	AP8125773	Gasket ring 30x47x7	2	
5	AP8125779	Circlip	1	
6	896012	Front brake disc	1	
7	AP8152286	Screw w/ flange M8x20	12	
8	GU05614130	Front wheel spindle	1	
9	AP8125791	Spacer	1	
10	GU95005325	Washer 25,2X36X1	1	
11	GU01612190	Nut	1	
12	GU03617710	Tubeless tyre valve	1	
13	GU14616150	Counterweight	1	
14	895033	Front tyre 120/70 ZR 17"	1	
15	896011	Front brake disc	1	
16	AP8128189	Wheel speed sensor, left front	1	
17	GU49609601	Hose clamp 2,4x92	1	
18	AP8127469	Sensor abs	1	
19	598839	Screw w/ flange	1	

<b>Group</b>	FRAME
<b>Code</b>	33.41
<b>Description</b>	Front brake caliper
<b>Service</b>	1



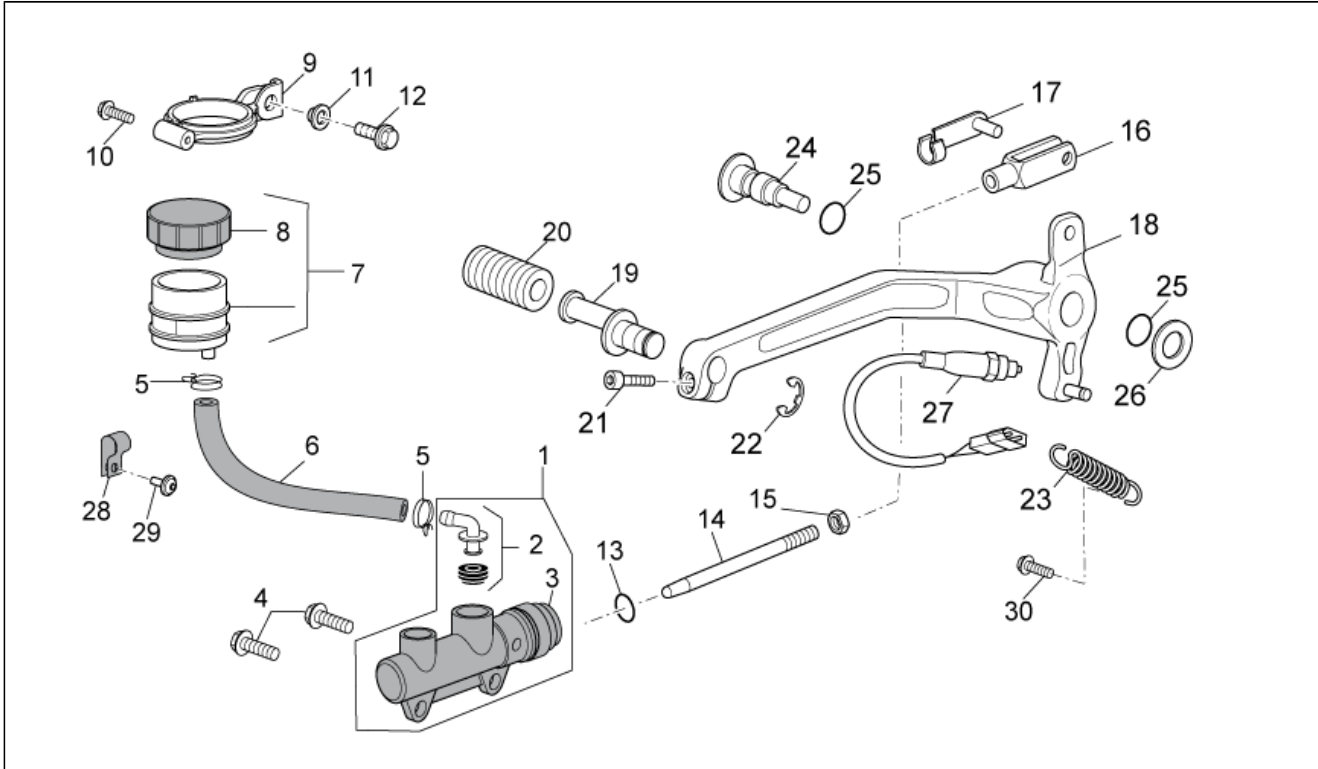
Pos.	Code	Description	Qty	Variants
1	883853	RH Front brake caliper, gold	1	
2	883854	LH Front brake caliper, gold	1	
3	AP8133614	Pads pair	2	
4	AP8133945	Bleeder kit	2	
5	GU01659130	Pins+Caliper springs	2	
6	GU01659131	Spring	2	
7	AP8152385	Hex socket screw M10x1,25	4	

<b>Group</b>	FRAME
<b>Code</b>	33.42
<b>Description</b>	Rear wheel
<b>Service</b>	1



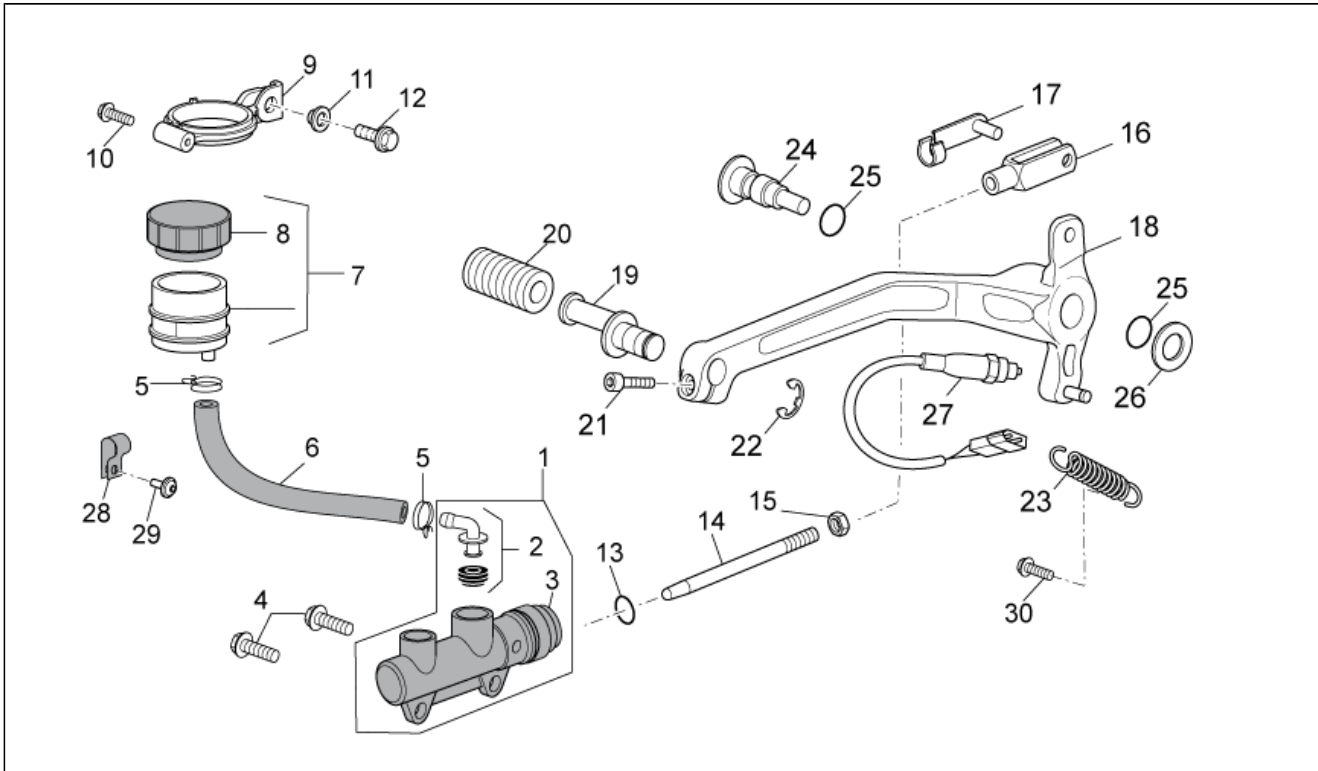
Pos.	Code	Description	Qty	Variants
1	GU05630531	Rear wheel, black 5,5x17"	1	
2	GU03617710	Tubeless tyre valve	1	
3	GU05632730	Conical bush	4	
4	GU97202665	Screw w/ flange M12x65	4	
5	GU05634430	Cover	1	
6	GU05635730	Rear brake disc	1	
7	GU30611460	Screw	6	
8	897771	Rear tyre 180/55 R17 ANGEL	1	
9	GU14616150	Counterweight	1	
10	977056	Dust cover ring	1	
11	GU05681530	Wheel speed sensor, left front	1	
12	AP8152272	Screw w/ flange	6	
13	GU05683730	Sensor	1	
14	598839	Screw w/ flange	1	
15	GU49609601	Hose clamp 2,4x92	1	

<b>Group</b>	FRAME
<b>Code</b>	33.43
<b>Description</b>	Rear master cylinder
<b>Service</b>	1



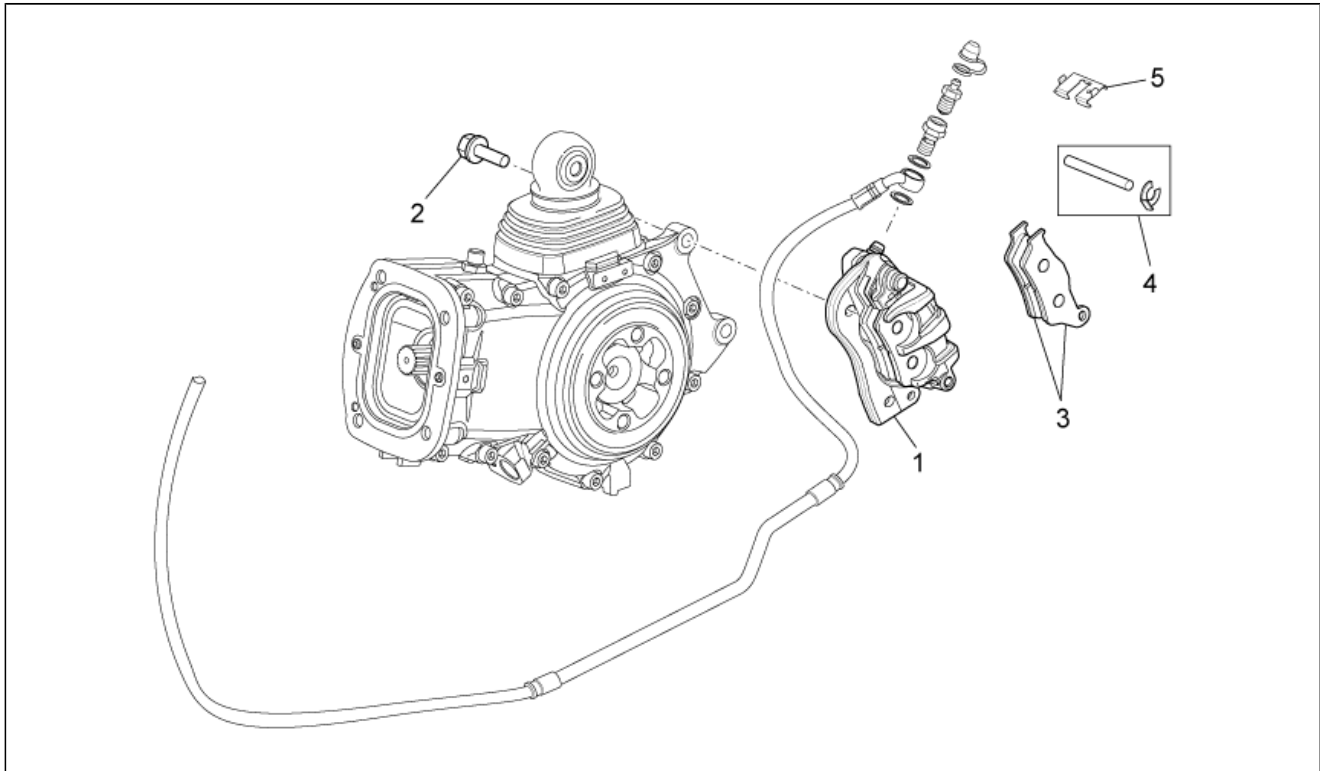
Pos.	Code	Description	Qty	Variants
1	GU0566930	Rear master cylinder	1	
2	AP8113594	Rear brake pump union	1	
3	AP8113288	Rubber bellows	1	
4	AP8152279	Screw w/ flange M6x20	2	
5	AP8101595	Hose clamp D10,1*	2	
6	GU00823950050	Oil pipe	1	
7	GU05663530	Brake oil tank complete	1	
8	GU17661052	Tank cap	1	
9	GU05666030	Tank support	1	
10	AP8152329	Phillips screw, SWP M5x20	1	
11	AP8221145	T bush *	1	
12	598839	Screw w/ flange	1	
13	AP8120178	O-ring OR112	1	
14	977041	Master cylinder rod	1	
15	GU92606206	Nut	1	
16	AP8101968	Fork	1	
17	AP8201301	Gear selector fork clips	1	
18	GU05677030	Rear brake lever	1	
19	AP8121221	Brake lever pin	1	
20	AP8120912	Lever rubber	1	
21	GU98682316	Hex socket screw M6x16	1	
22	AP8150462	Circlip d9	1	
23	AP8121927	Rear brake lever spring	1	
24	AP8121223	Rear brake lever pin	1	
25	AP8144007	O-ring 11,11x1,78	2	
26	GU95008310	Washer 10,5x22x2,5	1	
27	AP8112996	Brake light switch	1	
28	890721	Wiring clip	1	

<b>Group</b>	FRAME
<b>Code</b>	33.43
<b>Description</b>	Rear master cylinder
<b>Service</b>	1



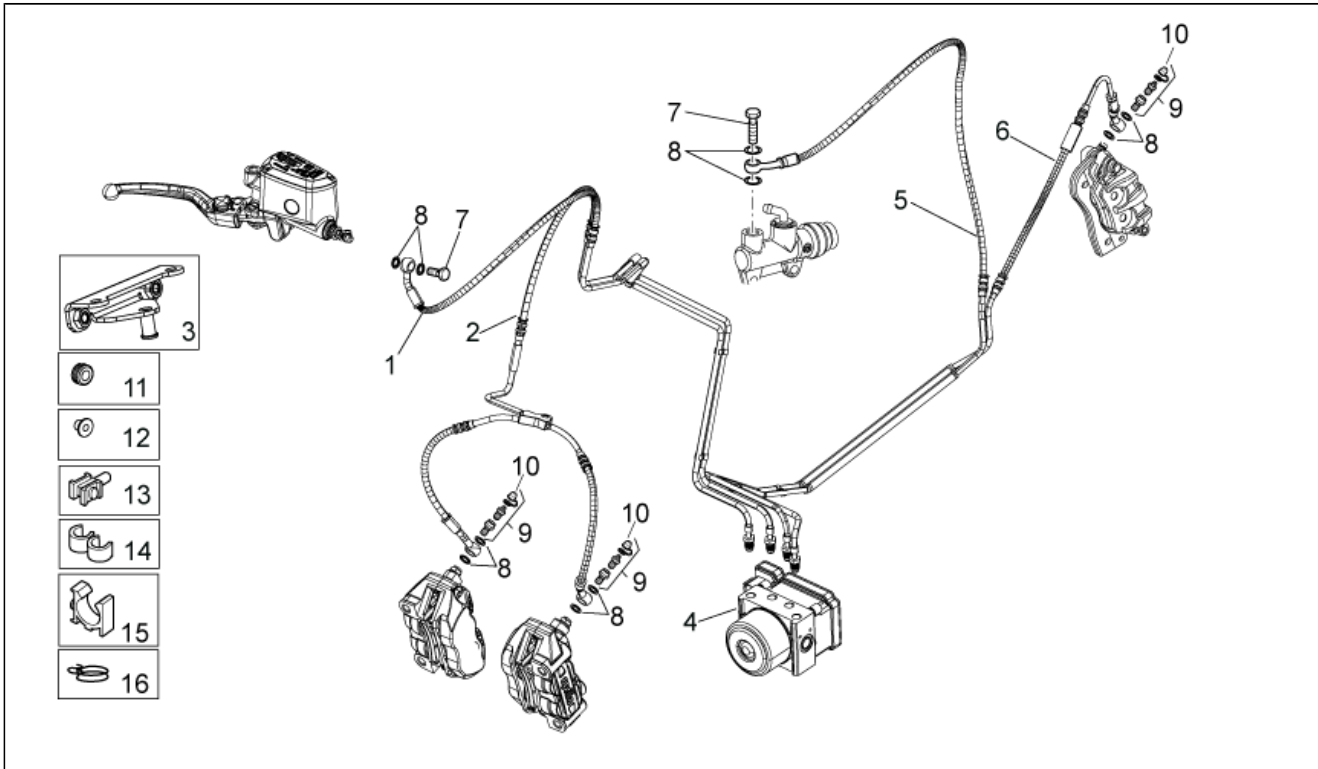
Pos.	Code	Description	Qty	Variants
29	GU98350210	Hex socket screw	1	
30	AP8152273	Screw w/ flange	1	

<b>Group</b>	FRAME
<b>Code</b>	33.44
<b>Description</b>	Rear brake caliper
<b>Service</b>	1



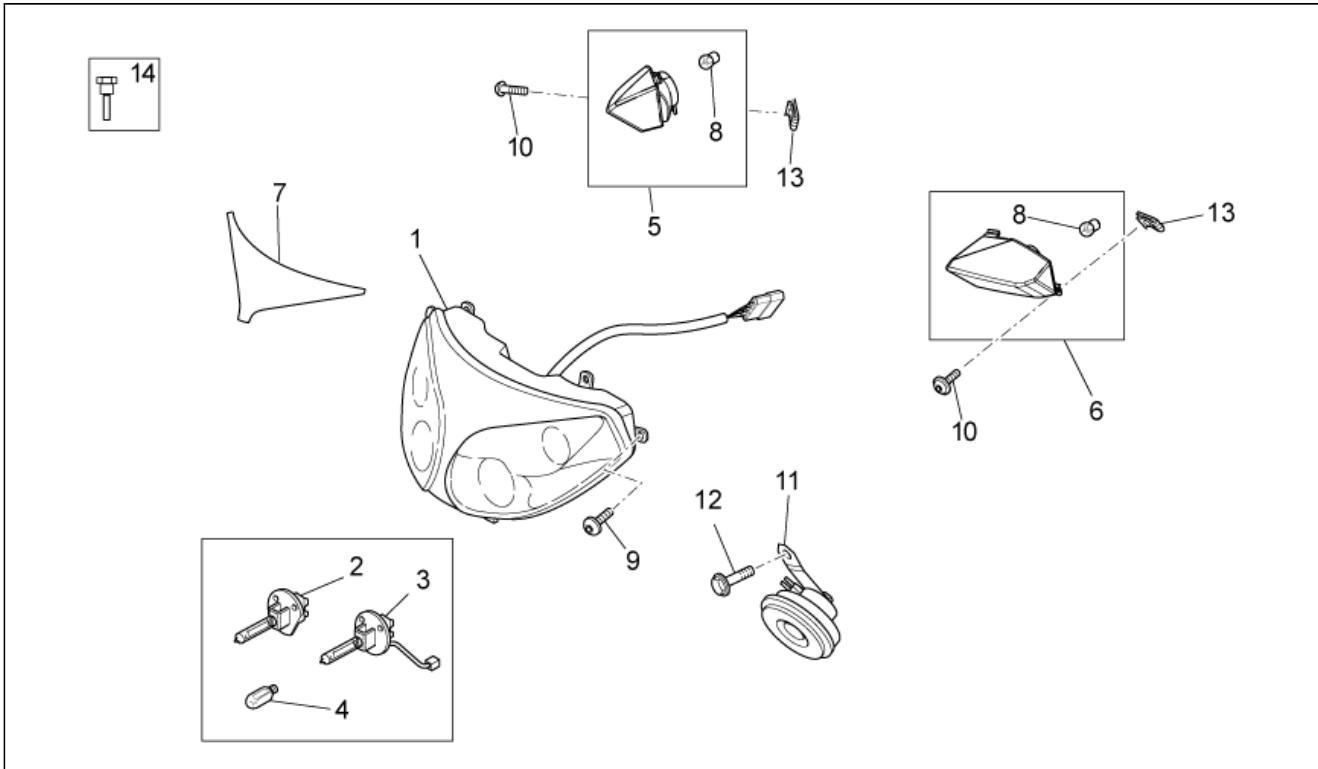
Pos.	Code	Description	Qty	Variants
1	GU05653030	Rear brake caliper, gold	1	
2	AP8152320	Screw w/ flange	2	
3	GU05654630	Pads pair	1	
4	GU05659130	Pin+split pin	1	
5	GU05659030	Spring	1	

<b>Group</b>	FRAME
<b>Code</b>	33.45
<b>Description</b>	ABS Brake system
<b>Service</b>	1



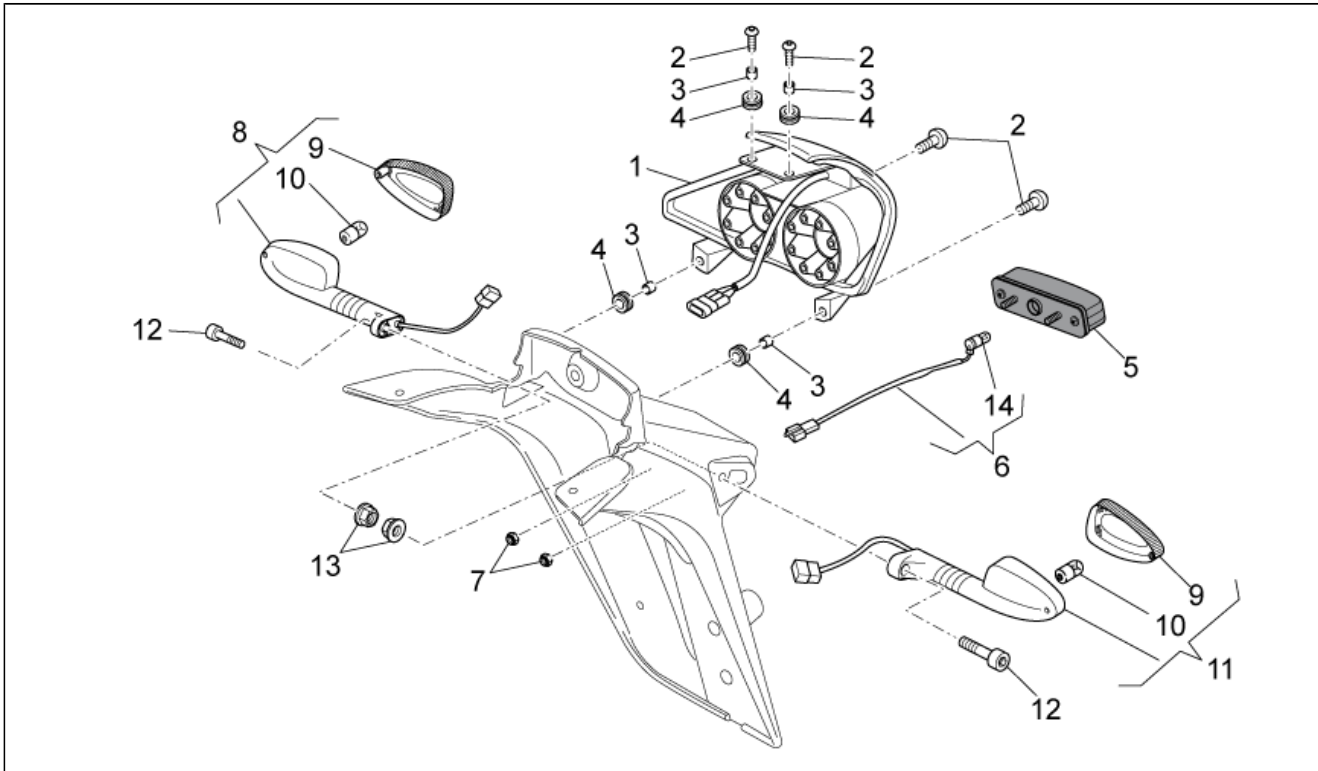
Pos.	Code	Description	Qty	Variants
1	883838	Front brake line	1	
2	883839	Front brake line	1	
3	886166	Plate	1	
4	895351	ECU ABS	1	
5	883840	Rear brake line	1	
6	883841	Rear brake line	1	
7	AP8113003	Oil pipe screw *	2	
8	AP8113004	Washer 10x14x1,6*	10	
9	AP8133945	Bleeder kit	3	
10	AP8113070	Bleed valve cap	3	
11	AP8120030	Rubber spacer *	2	
12	AP8221023	T bush *	2	
13	AP8202238	Cable-guide hook	4	
14	AP9100519	Spring	4	
15	AP8201808	Cable-guide D8	2	
15	GU05436530	Cable-guide D5	4	
16	AP8101595	Hose clamp D10,1*	2	

<b>Group</b>	FRAME
<b>Code</b>	33.46
<b>Description</b>	Headlight/Horn
<b>Service</b>	1



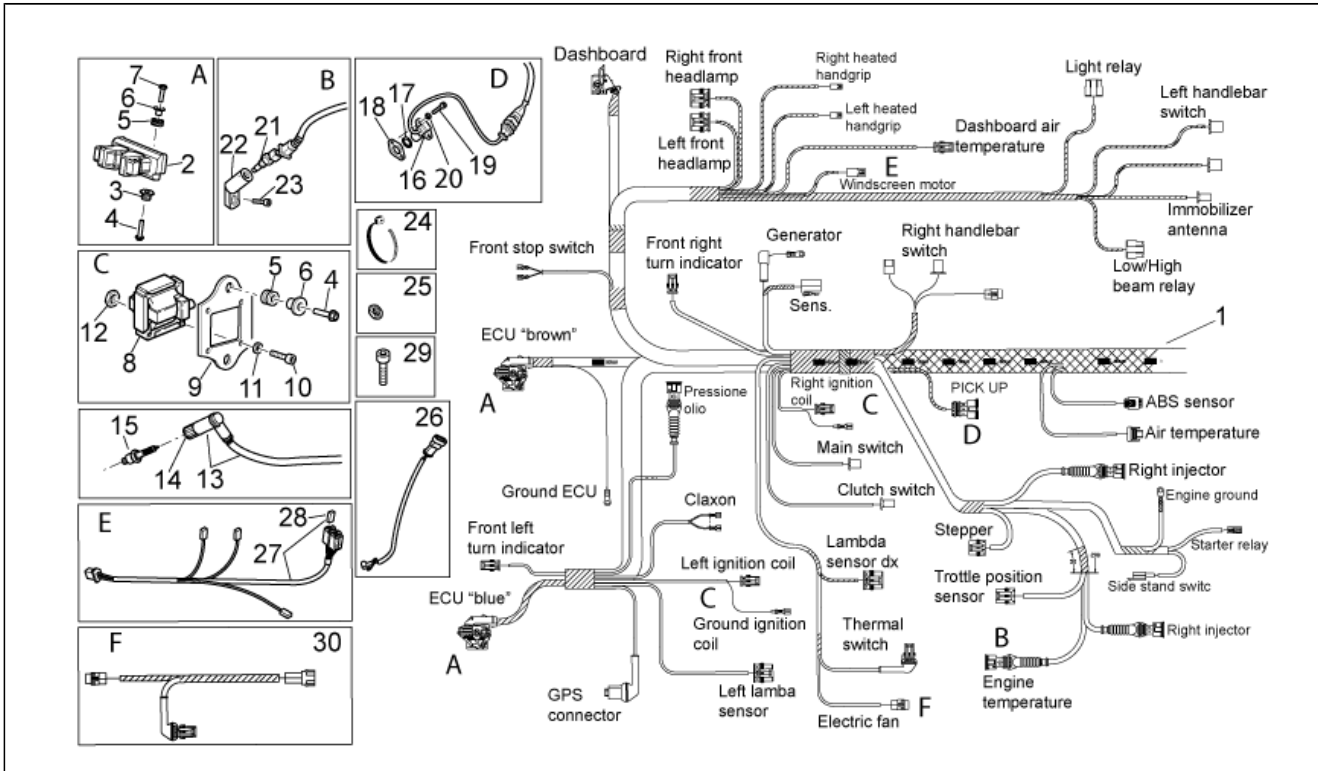
Pos.	Code	Description	Qty	Variants
1	883816	Headlight	1	
2	580141	Lamp H112V-55W	1	
3	294278	Lamp H3 12V-55W	1	
4	292022	Lamp 12V-5W	1	
5	978428	RH front turn indicator	1	
6	978427	LH front turn indicator	1	
7	978571	Front headlight decal set	1	
8	584332	Lamp, orange	2	
9	GU98325316	Screw	6	
10	AP8150493	Hex socket screw M4x16	2	
11	890979	Horn	1	
12	AP8152285	Screw w/ flange	1	
13	AP8102381	Clip M4	2	
14	883751	Column nut	2	

<b>Group</b>	FRAME
<b>Code</b>	33.47
<b>Description</b>	Taillight
<b>Service</b>	1



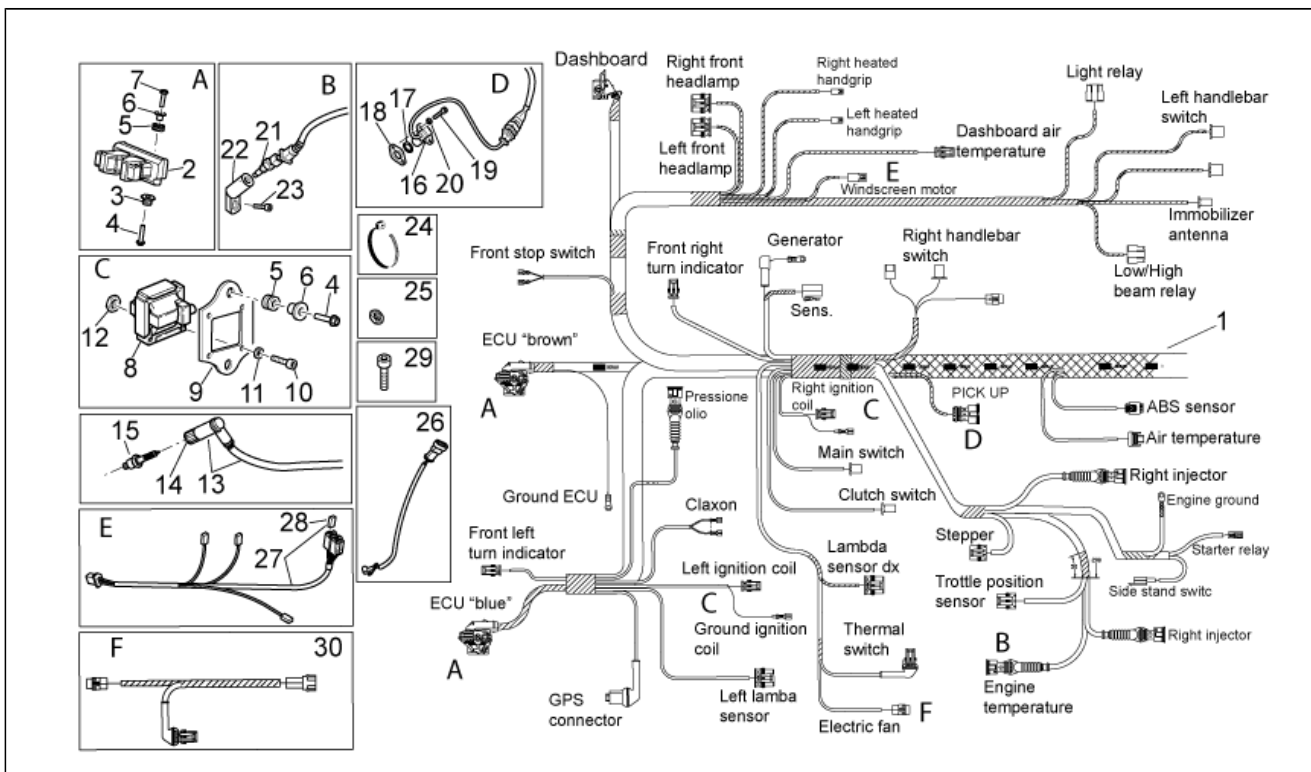
Pos.	Code	Description	Qty	Variants
1	883314	Taillight	1	
2	AP8152298	Screw w/ flange	4	
3	AP8221036	Bush 5,3x8x7,1	4	
4	AP8120405	Rubber spacer *	4	
5	AP8212702	Number-plate light	1	
6	AP8124976	Plate light wiring	1	
7	AP8152306	Self-locking nut	2	
8	GU05751630	Rear RH turn indicator	1	
9	AP8127552	Turn indicator lens	2	
10	584332	Lamp, orange	2	
11	GU05751730	Rear LH turn indicator	1	
12	GU98692318	Hex socket screw	2	
13	GU92630206	Nut M6x1	2	
14	292022	Lamp 12V-5W	1	

<b>Group</b>	FRAME
<b>Code</b>	33.48
<b>Description</b>	Electrical system I
<b>Service</b>	1



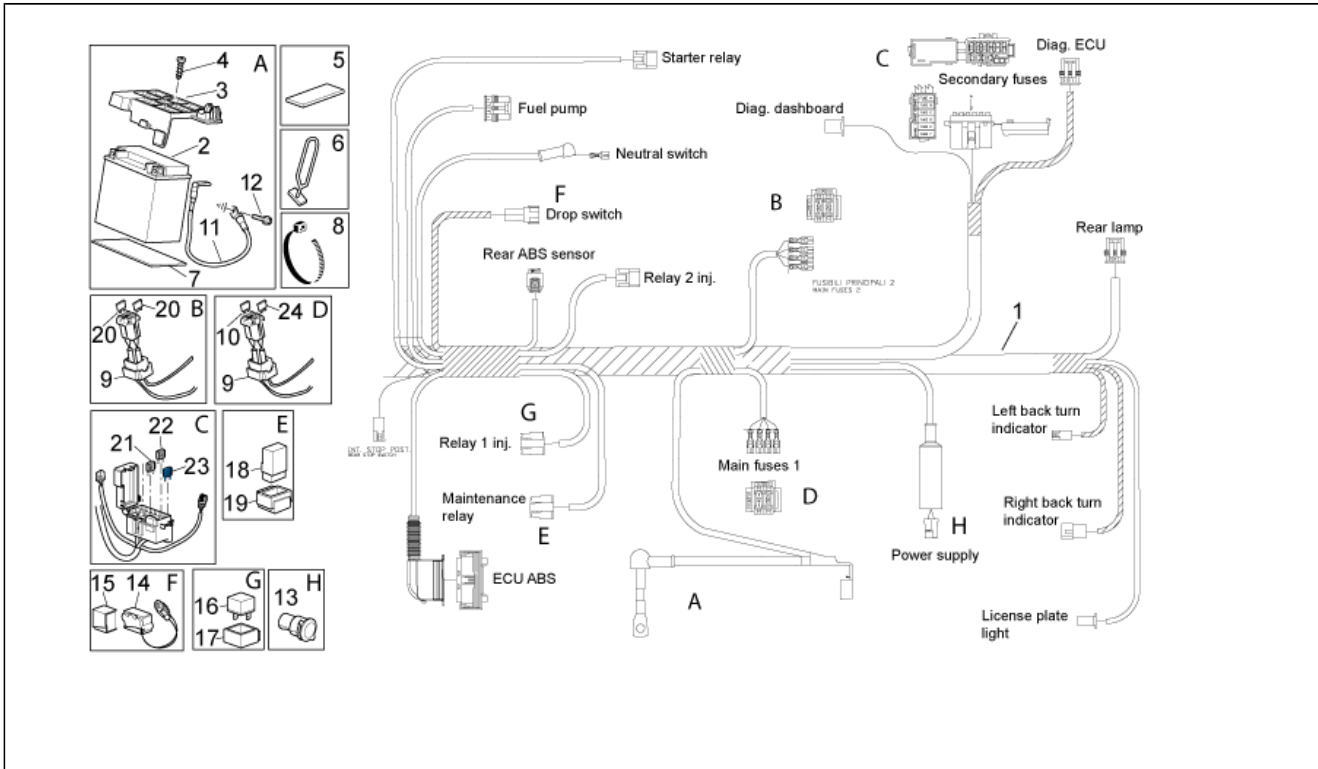
Pos.	Code	Description	Qty	Variants
1	886209	Main wiring harness	1	
2	883820	Electronic control unit	1	
3	GU05729230	Bush	2	
4	AP8152279	Screw w/ flange M6x20	6	
5	AP8120030	Rubber spacer *	6	
6	AP8221023	T bush *	6	
7	AP8152282	Screw w/ flange M6x35	2	
8	GU30716500	HT coil	2	
9	GU05716730	Coil holder	2	
10	GU98682125	Hex socket screw	8	
11	GU95008204	Washer 4,3x8x0,5	8	
12	GU92630104	Nut M4x0,7	8	
13	642243	HT wire	2	
14	642221	Spark cap	2	
15	639687	Spark plug CR8EKB	2	
16	GU01721600	Phase/revolution sensor	1	
17	847180	O-ring	1	
18	GU01722700	Gasket 0,3mm	1	
18	GU01722701	Gasket 0,4 mm	1	
18	GU01722702	Gasket 0,6mm	1	
18	GU01722703	Gasket	1	
18	GU01722704	Gasket 1mm	1	
18	GU01722705	Gasket 1,5mm	1	
18	GU29722760	Gasket 0,5 mm	1	
19	GU98682212	Hex socket screw	2	
20	GU95008205	Washer 5,3x10x0,8	2	
21	GU29729461	Oil temperature sensor	1	
22	976556	Sensor support	1	

<b>Group</b>	FRAME
<b>Code</b>	33.48
<b>Description</b>	Electrical system I
<b>Service</b>	1



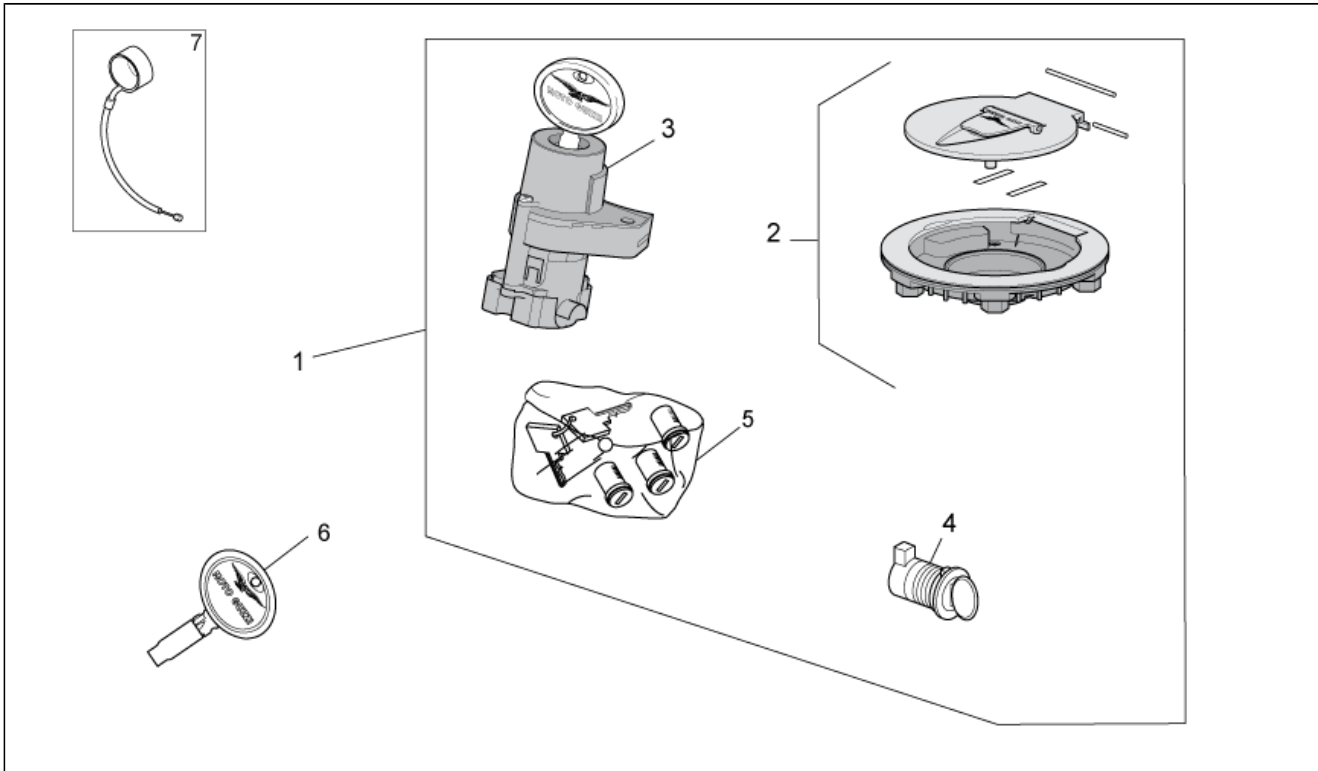
Pos.	Code	Description	Qty	Variants
23	GU98683520	Hex socket screw M10x20	1	
24	GU14609650	Hose clamp 3,6x20,6	22	
24	GU30609600	Hose clamp 8,8x185	1	
25	AP8152299	Self-locking nut	1	
26	AP8124936	Air temp. Sensor	1	
27	883799	Wiring motor windshield	1	
28	GU01731760	Relay shunt va.siem. A1001A403	2	
29	GU98682212	Hex socket screw	2	
30	886776	Cablaggio elettroventola	1	

<b>Group</b>	FRAME
<b>Code</b>	33.49
<b>Description</b>	Electrical system II
<b>Service</b>	1



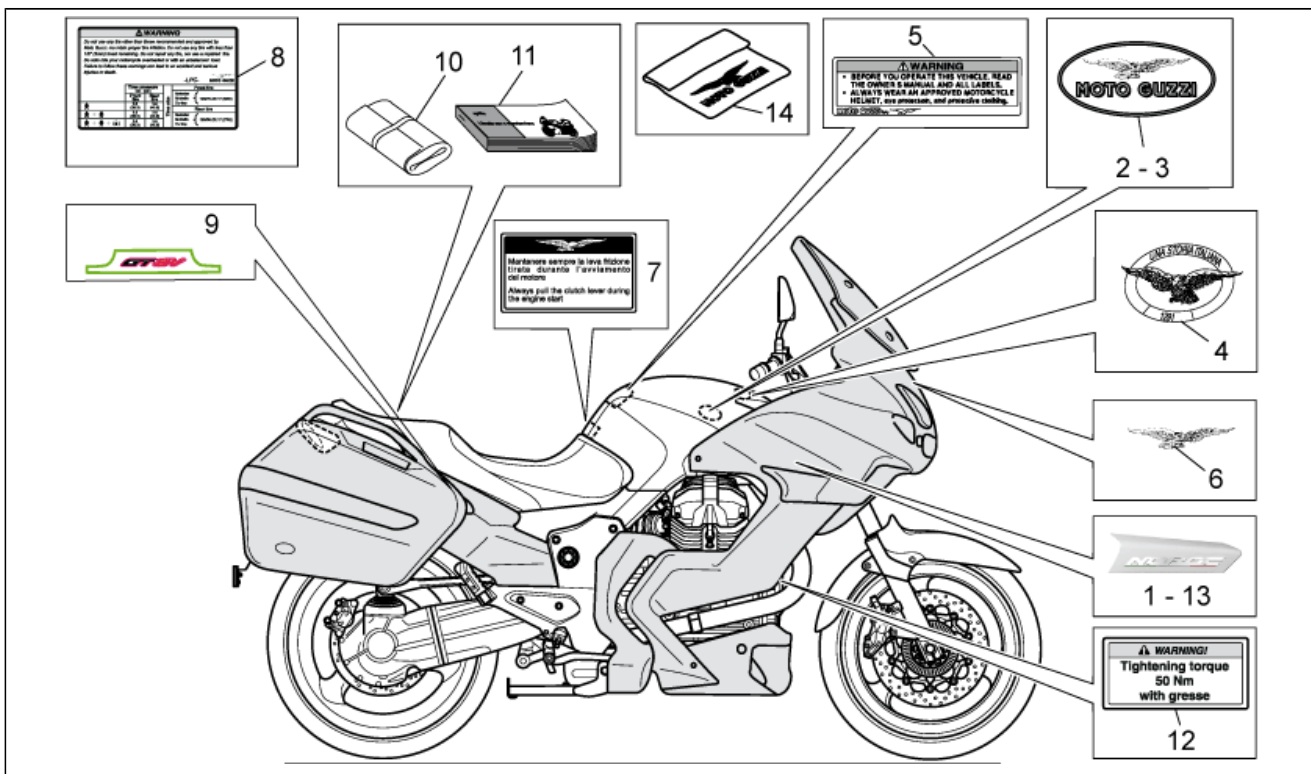
Pos.	Code	Description	Qty	Variants
1	886209	Main wiring harness	1	
2	883818	Battery	1	
3	883819	Battery cover	1	
4	AP8152329	Phillips screw, SWP M5x20	2	
5	AP8117200	Adhesive sponge	1	
6	AP8120177	Headlight supp.snap	2	
7	AP8144553	Support rubber part	2	
8	GU14609650	Hose clamp 3,6x20,6	22	
8	GU30609600	Hose clamp 8,8x185	1	
9	AP8112811	Rubber fuse box	2	
10	CM225730	Fuse 30a	1	
11	GU05747930	Ground-battery lead	1	
12	AP8152277	Screw w/ flange	1	
13	AP8124768	Socket	1	
14	584509	Sensore antiribaltamento	1	
15	AP8144046	Rubber sensor support	1	
16	895481	Injection relay	1	
17	AP8220546	Relay rubber	1	
18	AP8224462	Relay 12V/30A	3	
19	AP8220283	Rubber spacer *	3	
20	CM225720	Fuse 20A	4	
21	CM225615	Fuse 15A	4	
22	CM225603	Fuse	2	
23	CM225610	Fuse 10A	3	
24	CM225740	Fuse	1	

<b>Group</b>	FRAME
<b>Code</b>	33.50
<b>Description</b>	Lock hardware kit
<b>Service</b>	1



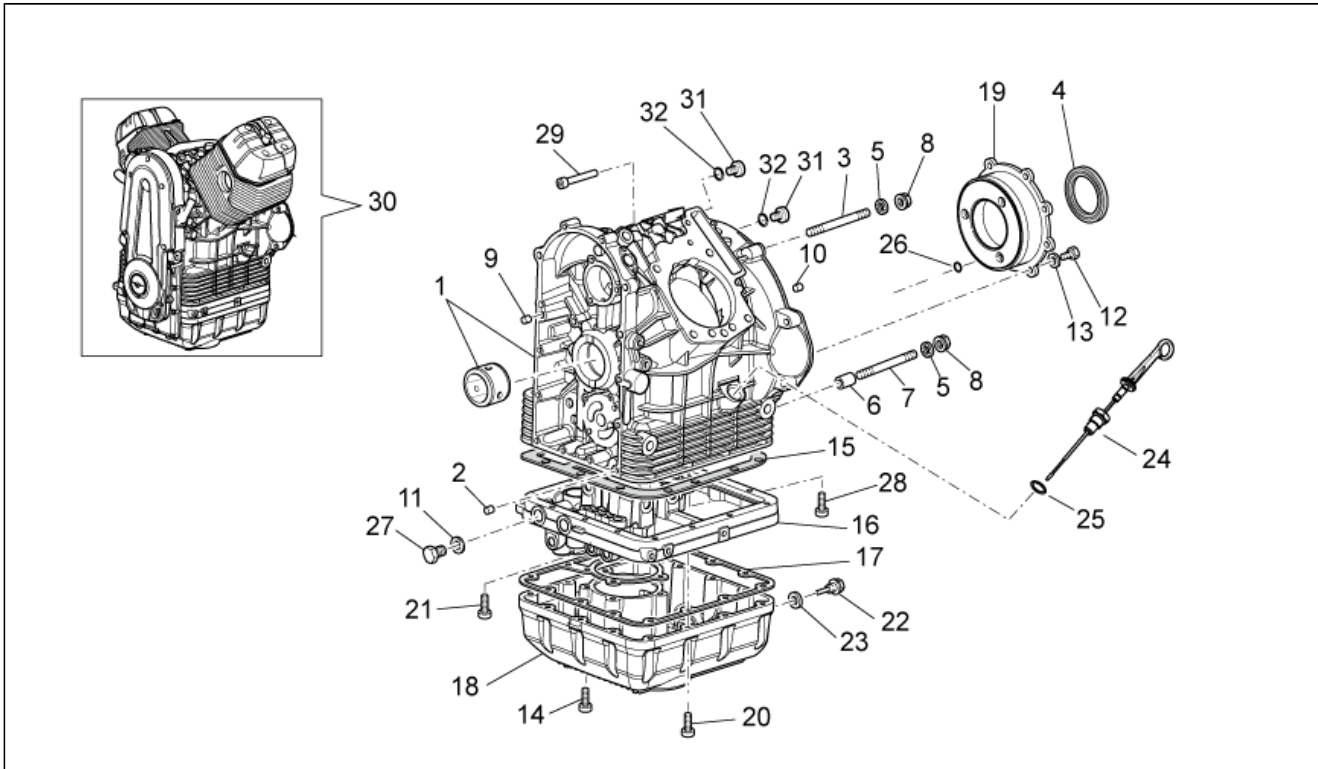
Pos.	Code	Description	Qty	Variants
1	977666	Lock hardware kit	1	
2	GU05103930	Tank cap	1	
3	GU05782530	Main switch - steering lock	1	
4	GU05466830	Saddle lock	1	
5	978220	Rotor kit with key	1	
6	977918	Non indented key blank	1	
7	981087	Immobilizer antenna	1	

<b>Group</b>	FRAME
<b>Code</b>	33.51
<b>Description</b>	Plate set-decal-op.handbooks
<b>Service</b>	1



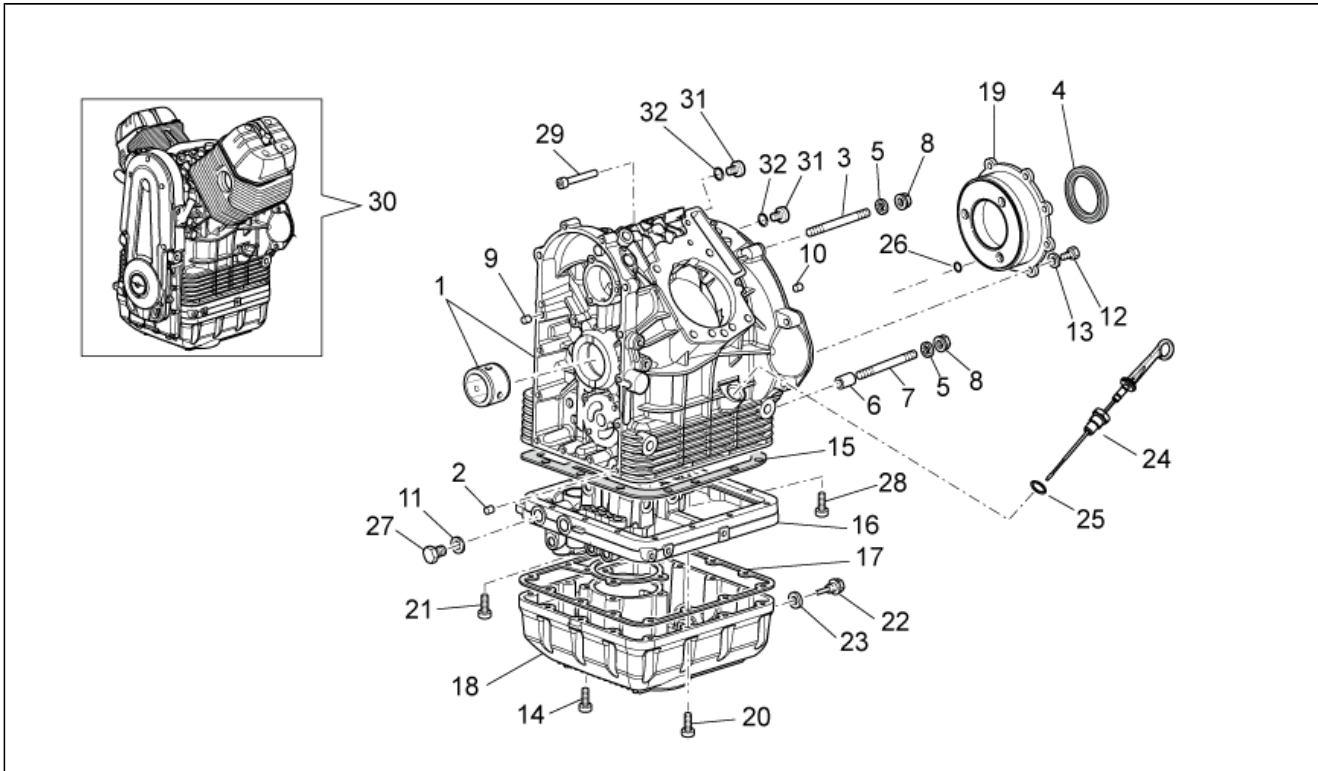
Pos.	Code	Description	Qty	Variants
1	883522	Logo Norge dx	1	
2	GU06917400	LH Name plate,red/gold AL	1	
3	GU06917300	RH Name plate,red/gold AL	1	
4	GU05917530	Decal "Italian Story"	1	
5	GU30944300	Decal "Attention"	1	
6	886340	Name plate	2	
7	GU05944930	Decal Engine Start	1	
8	886792	Tyre pressure decal	1	
9	886239	Rear fairing decal GT 8V	2	
10	978882	Toolkit	1	
11	883539	Operator's handbook I-F-D-E-NL-UK	1	
12	GU05944530	Decal Warning	1	
13	883523	Logo Norge sx	1	
14	GU30970200	Bike cover	1	

<b>Group</b>	ENGINE
<b>Code</b>	34.52
<b>Description</b>	Crank-case
<b>Service</b>	1



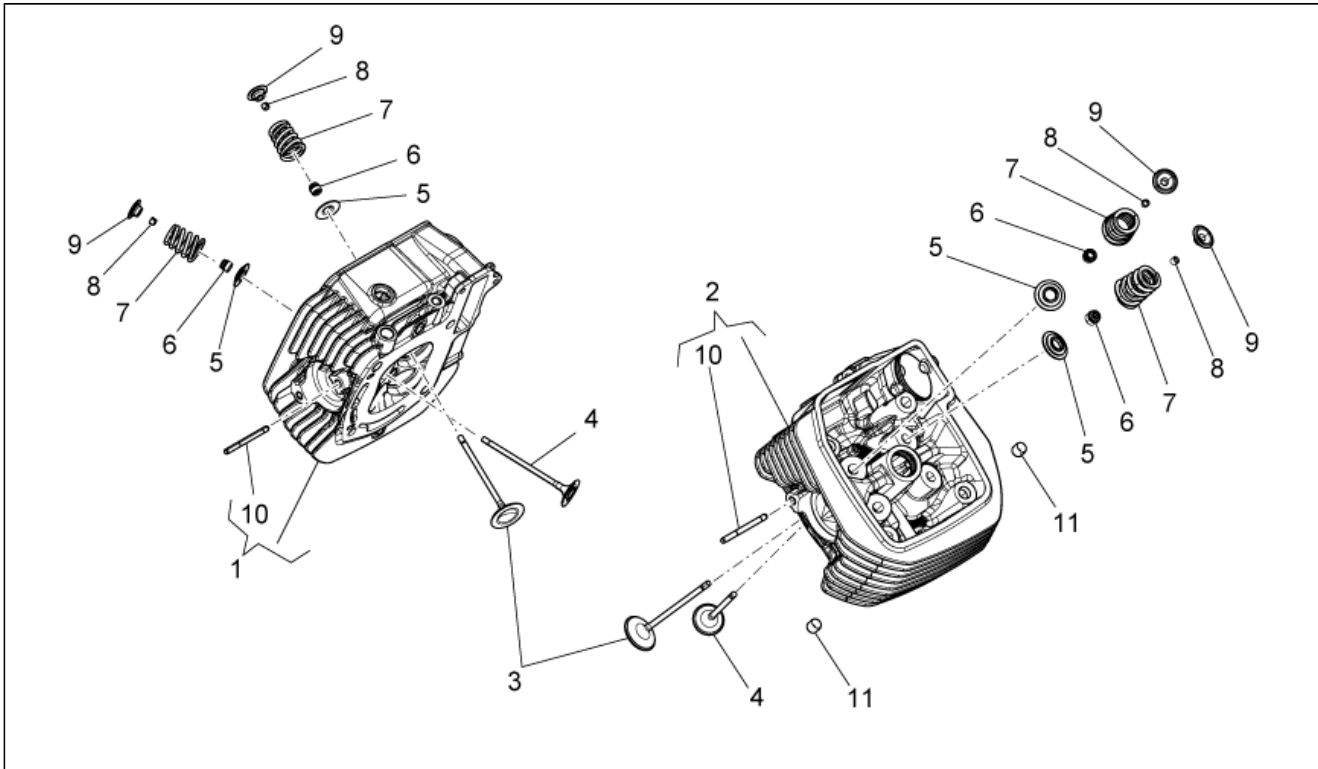
Pos.	Code	Description	Qty	Variants
1	880398	Crank-case	1	
2	411209	Pin	2	
3	GU96508066	Stud bolt M8X66	3	
4	GU90405367	Gasket ring	1	
5	GU14615901	Washer 8,4X13X0,8	5	
6	GU12018900	Coupling bush	2	
7	GU96508075	Stud bolt M8x75	2	
8	GU92660021	Flanged nut M8	5	
9	GU95512081	Pin	2	
10	560110	Pin	1	
11	GU01154230	Gasket	2	
12	GU98084425	Hex screw M8x25	8	
13	GU61270300	Spring washer 8x15x0,3	8	
14	GU98620335	Screw	4	
15	GU01003651	Gasket	1	
16	879872	Flange	1	
17	GU05003630	Gasket	1	
18	879874	Pan oil	1	
19	976703	Complete flange	1	
20	AP4ADN000007	Hex socket screw	14	
21	GU98680360	Hex socket screw M6x60	2	
22	GU31003766	Oil unload plug	1	
23	GU01528930	Gasket 10x18x1,5	1	
24	883144	Oil level rod cpl.	1	
25	GU90706178	O-ring 17,86X2,62	1	
26	874980	O-ring 7,5X2	1	
27	GU95980216	Plug	2	
28	GU98680340	Hex socket screw	2	

<b>Group</b>	ENGINE
<b>Code</b>	34.52
<b>Description</b>	Crank-case
<b>Service</b>	1



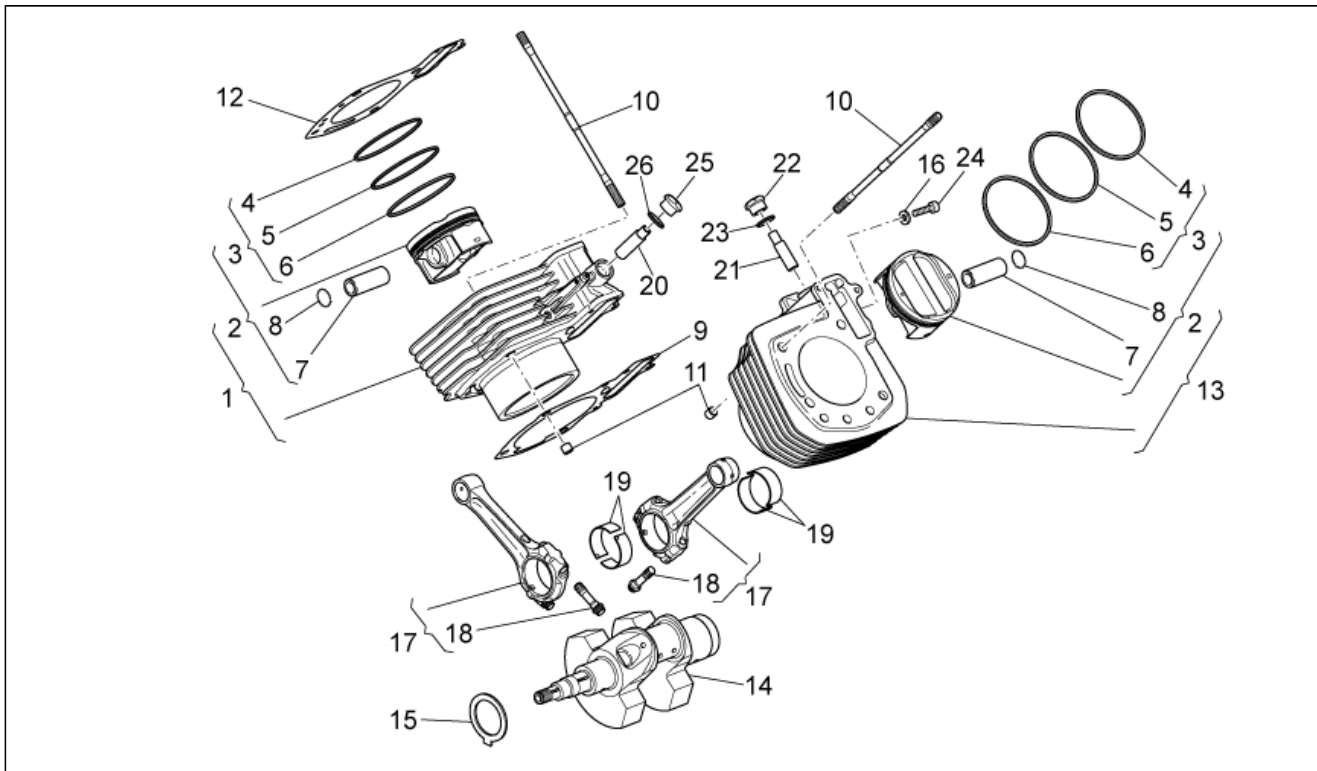
Pos.	Code	Description	Qty	Variants
29	AP8152291	Screw w/ flange	1	
30	9769685	Engine	1	
31	GU12022600	Oil plug	2	
32	GU90706203	O-ring 20,24X2,62	2	

<b>Group</b>	ENGINE
<b>Code</b>	34.53
<b>Description</b>	Cylinder head and valves
<b>Service</b>	1



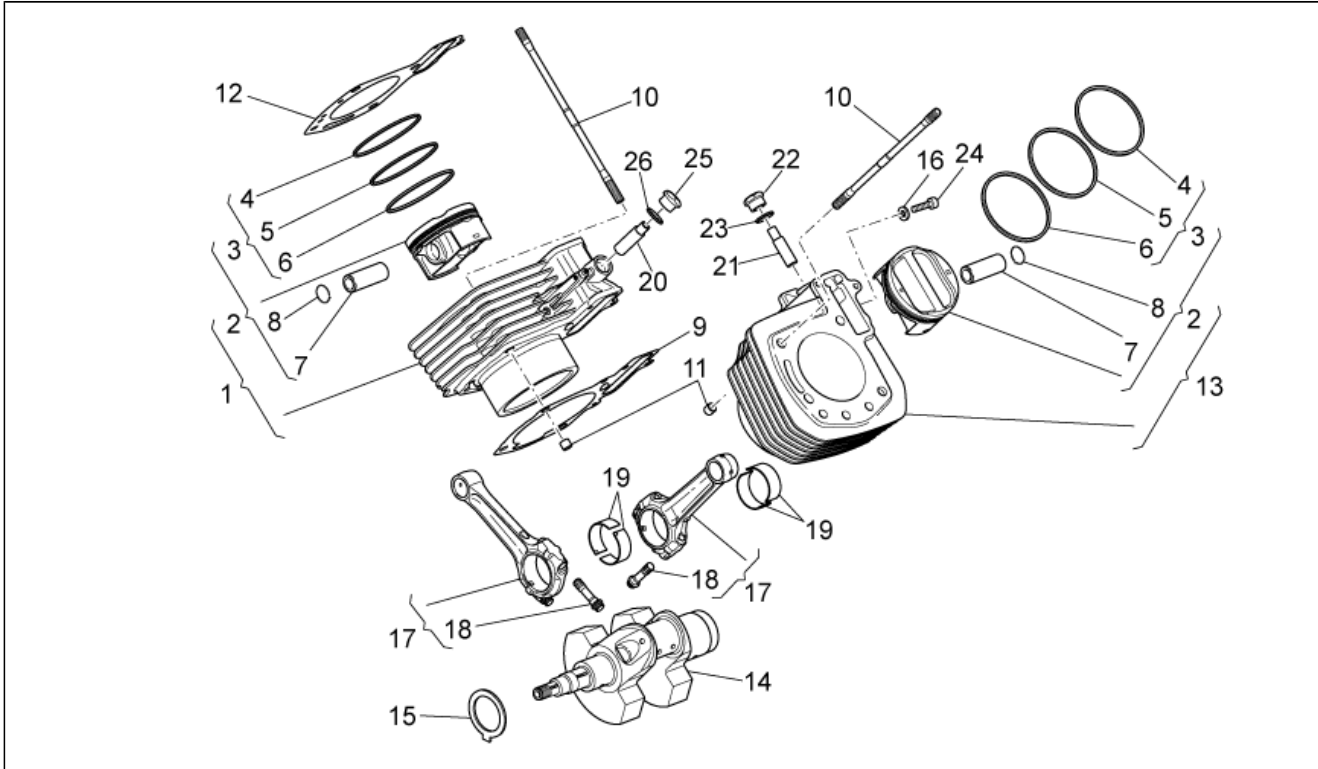
Pos.	Code	Description	Qty	Variants
1	879865	RH cylinder head	1	
2	879930	LH cylinder head	1	
3	872695	Intake valve	4	
4	872696	Exhaust valve	4	
5	874127	Lower cup	4	
6	436438	Valve gasket ring	8	
7	B013517	Valve spring	8	
8	285846	Valve half-cone	8	
9	874126	Upper cup	8	
10	827018	Stud bolt M8X3X46	4	
11	825597	Pin 11,8X10	8	

<b>Group</b>	ENGINE
<b>Code</b>	34.54
<b>Description</b>	Drive shaft - Cylinder
<b>Service</b>	1



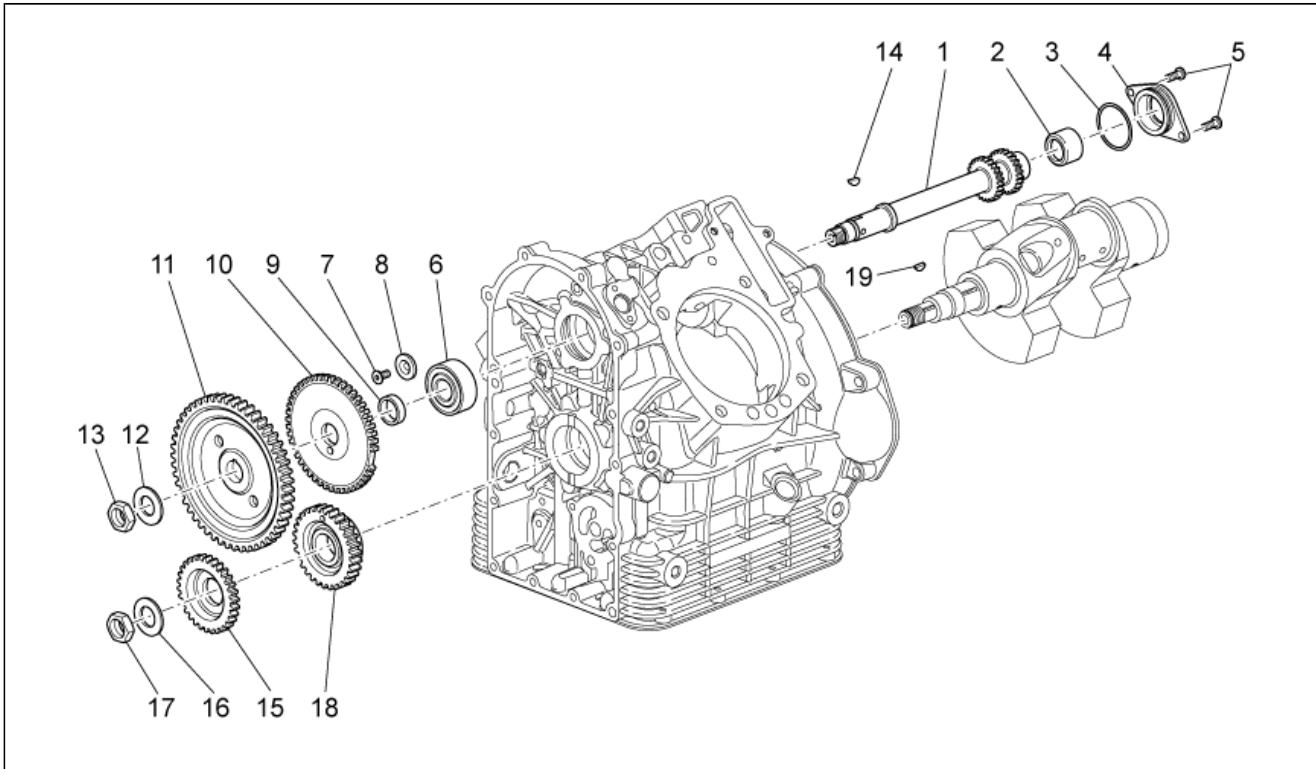
Pos.	Code	Description	Qty	Variants
1	981008	Cylinder with piston assy., RH	1	
2	873667	Piston D95 cpl	2	
3	981009	Pistonring set	2	
4	874287	Piston ring	2	
5	874288	Piston ring	2	
6	874289	Piston ring	2	
7	874286	Piston pin	2	
8	874567	Stop ring	4	
9	976312	Cylinder base gasket	2	
10	976304	Stud bolt	8	
11	825597	Pin 11,8X10	4	
12	874621	Cylinder head gasket 0,65 mm	2	
12	874622	Cylinder head gasket 0,85 mm	2	
12	976311	Cylinder head gasket 1,05 mm	2	
13	981007	Cylinder with piston assy., LH	1	
14	8762874	Crankshaft cpl.	1	
15	874293	Thrust washer	1	
16	GU95100116	Washer 6,25x10x1,5	2	
17	878339	Connecting rod cpl.	2	
18	849131	Connecting rod screw	4	
19	875243	Bearing half-shell 1,535-1,540	4	
19	875244	Bearing half-shell 1,539-1,544	4	
20	873689	RH chain tensioner	1	
21	873690	LH chain tensioner	1	
22	976342	Chain tension.plug	1	
23	849866	Washer	1	
24	GU98350310	Hex socket screw M6x20	2	
25	879404	Chain tension.plug	1	

<b>Group</b>	ENGINE
<b>Code</b>	34.54
<b>Description</b>	Drive shaft - Cylinder
<b>Service</b>	1



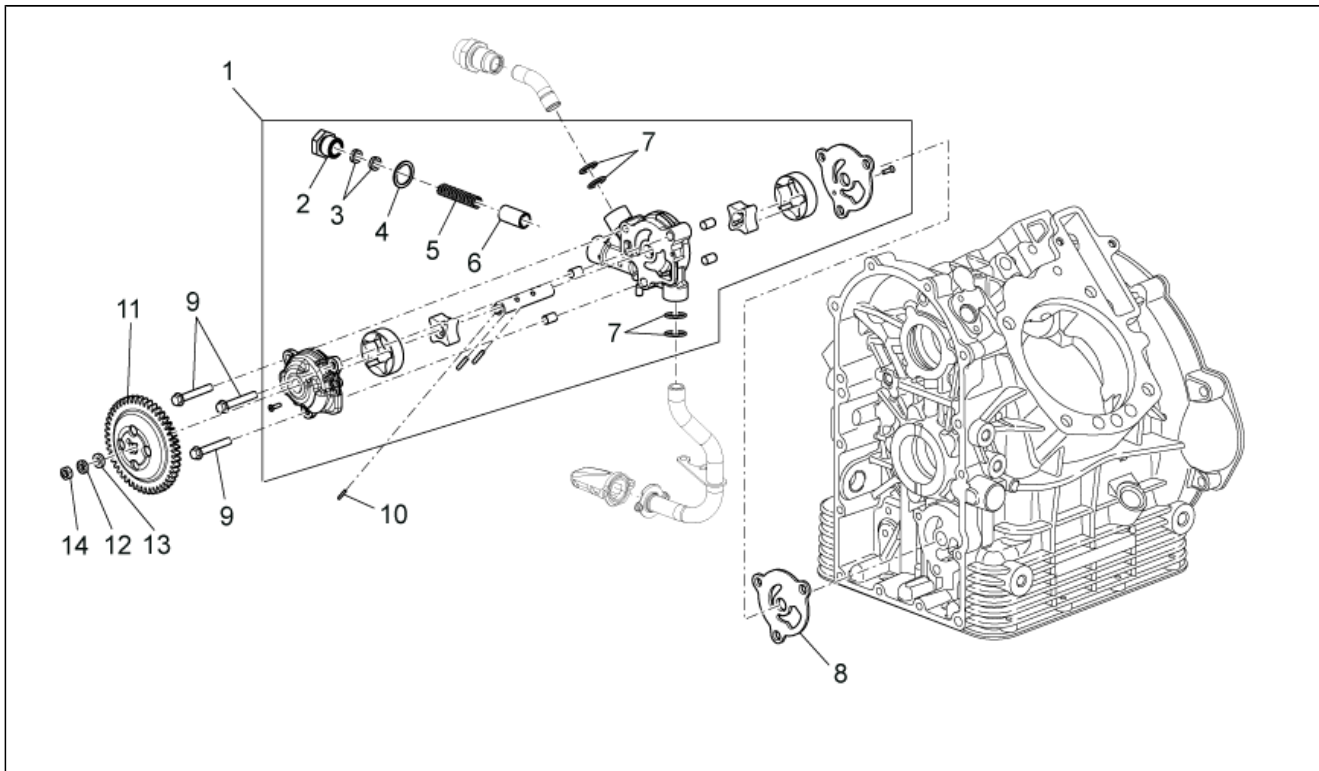
Pos.	Code	Description	Qty	Variants
26	879405	Washer	1	

<b>Group</b>	ENGINE
<b>Code</b>	34.55
<b>Description</b>	Timing system
<b>Service</b>	1



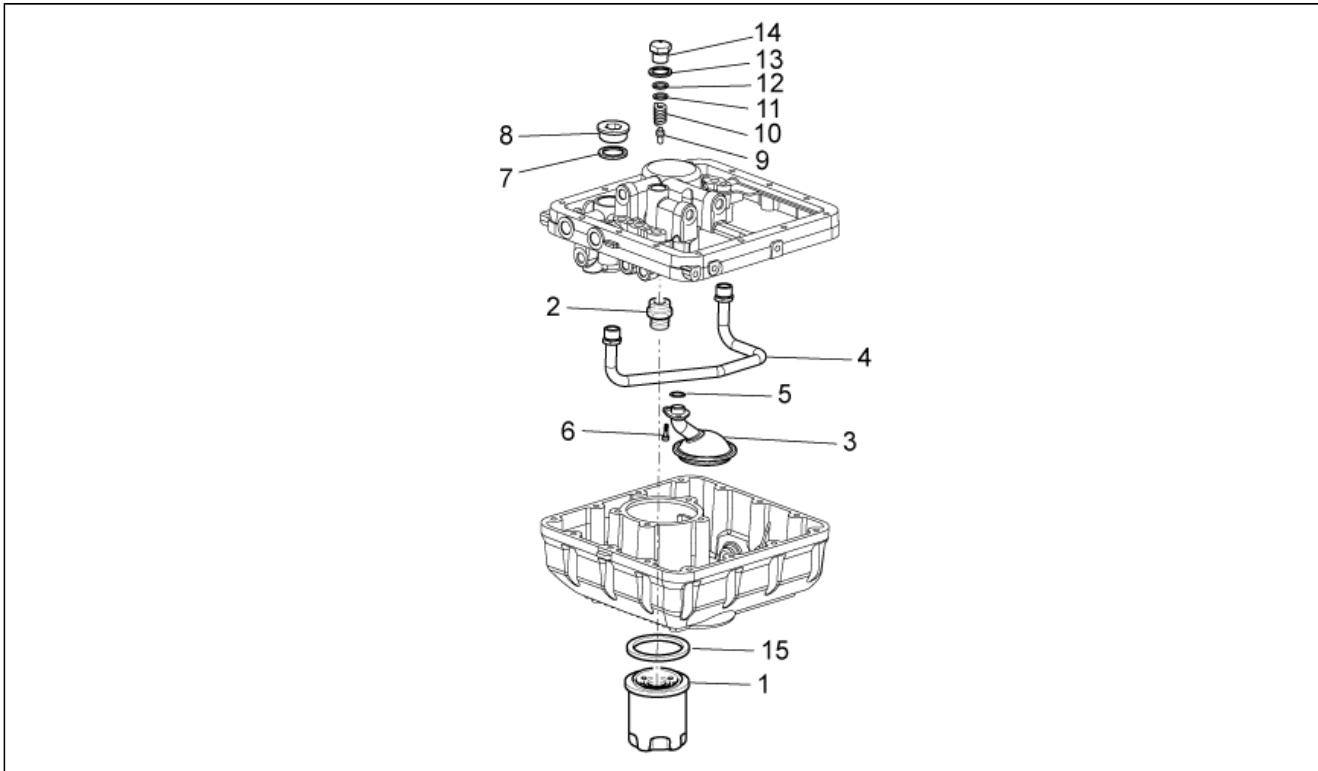
Pos.	Code	Description	Qty	Variants
1	976330	Timing system	1	
2	976381	Roller cage 25x32x12	1	
3	976488	O-ring 37,82x1,78	1	
4	976331	Flange	1	
5	GU98350315	Hex socket screw	2	
6	976355	Ball bearing 20x47x18	1	
7	AP8152166	Screw M6x16	2	
8	873928	Washer	1	
9	976334	Spacer	1	
10	976538	Wheel speed sensor, left front	1	
11	874281	Timing system gear	1	
12	GU14433400	Spring washer 19x34x1,5	1	
13	829232	Nut M18x1,5	1	
14	GU91600450	Transmission key	1	
15	8787074	Oil pump drive gear	1	
16	976665	Belleville spring	1	
17	976649	Nut M25x1,5	1	
18	874280	Drive gear	1	
19	GU91600365	Transmission key 3x6,5	1	

<b>Group</b>	ENGINE
<b>Code</b>	34.56
<b>Description</b>	Oil pump
<b>Service</b>	1



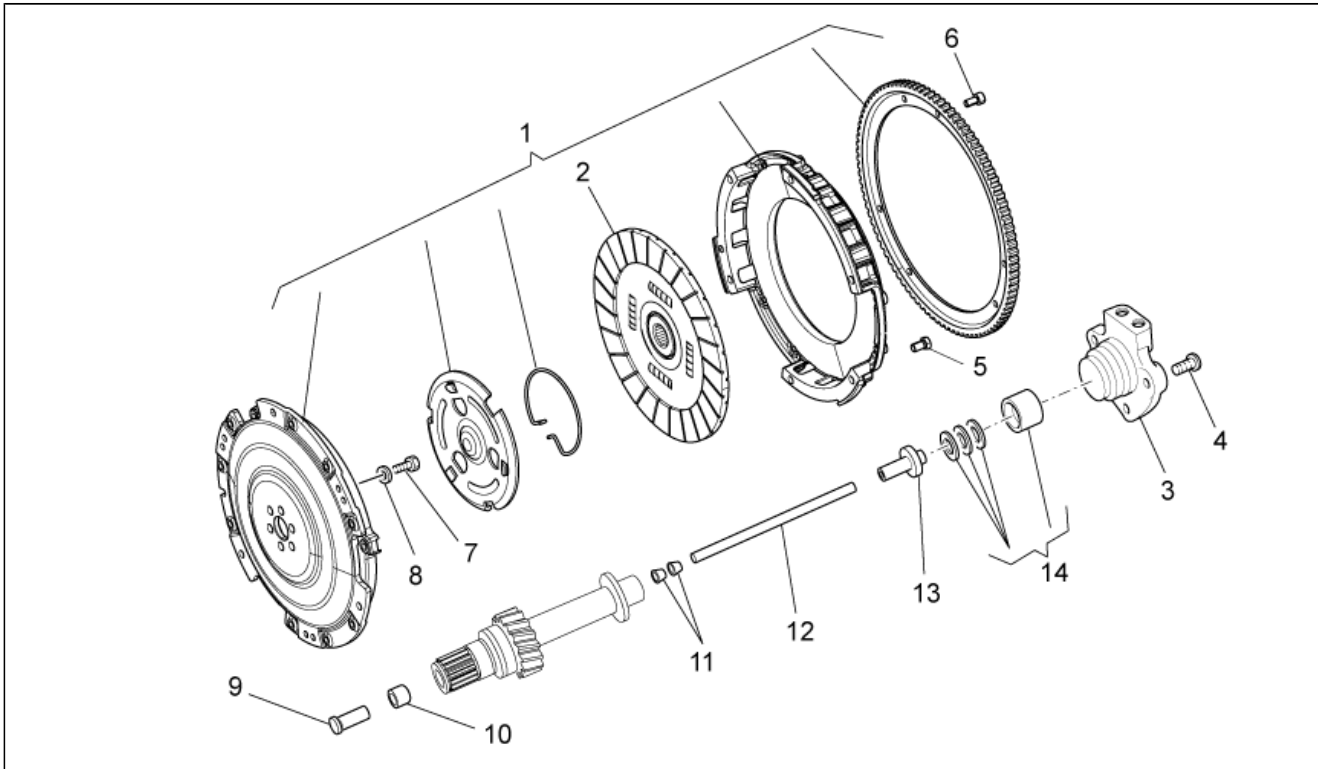
Pos.	Code	Description	Qty	Variants
1	8746505	Oil pump assy.	1	
2	GU31159050	Plug	1	
3	GU30158900	Washer	2	
4	GU18144350	Washer 18,25x24x1	1	
5	829486	Spring	1	
6	829661	Oil pressure valve	1	
7	237553	O-ring	4	
8	874482	Gasket	1	
9	414835	Screw	3	
10	874801	Pin 2x13,8	1	
11	877101	Oil pump gear	1	
12	GU03013800	Washer 6,4x12	1	
13	GU95005306	Washer 6,4x13x1,5	1	
14	873906	Low nut	1	

<b>Group</b>	ENGINE
<b>Code</b>	34.57
<b>Description</b>	Oil filters
<b>Service</b>	1



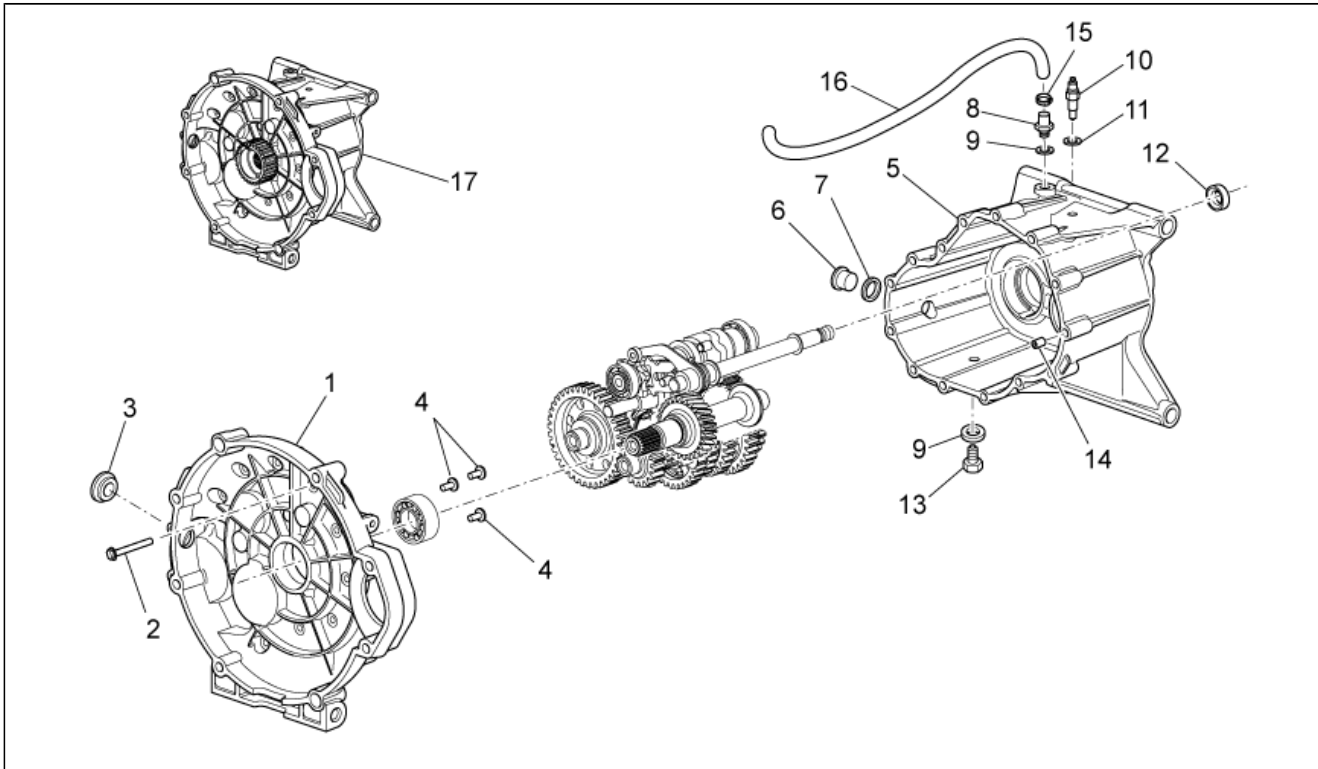
Pos.	Code	Description	Qty	Variants
1	GU30153000	Oil filter	1	
2	829122	Oil filter union	1	
3	GU05152230	Oil filter	1	
4	GU05005730	Pipe	1	
5	GU90706151	O-ring 15,08x2,62viton	1	
6	877820	Hex socket screw M6x18	2	
7	976636	Copper gasket	1	
8	976635	Plug	1	
9	GU30150900	Piston	1	
10	GU94321077	Spring	1	
11	GU95008206	Washer 6,15x11x0,8	2	
12	GU30158900	Washer	1	
13	GU18144350	Washer 18,25x24x1	1	
14	GU31159050	Plug	1	
15	981115	Gasket	1	

<b>Group</b>	ENGINE
<b>Code</b>	34.58
<b>Description</b>	Clutch
<b>Service</b>	1



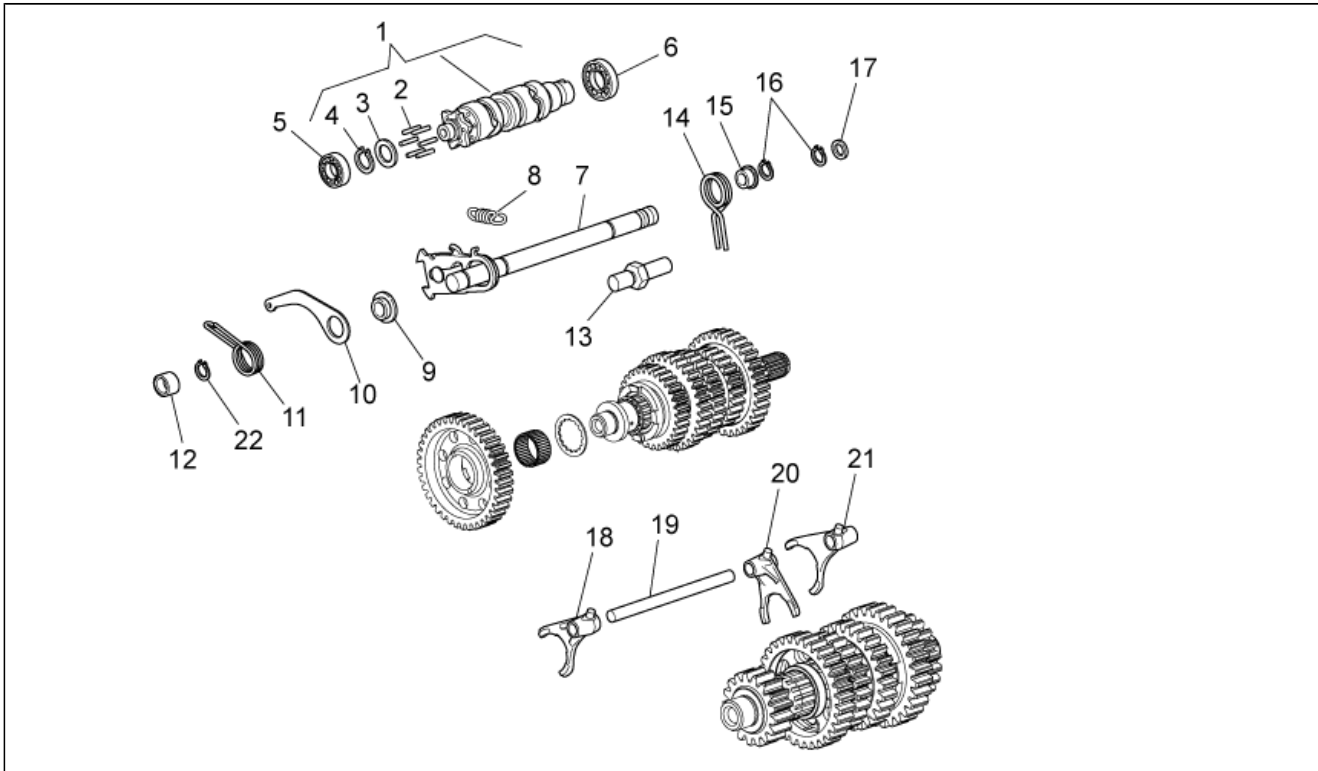
Pos.	Code	Description	Qty	Variants
1	976695	Clutch cpl.	1	
2	976053	Clutch disc	1	
3	978739	Clutch command cylinder	1	
4	598839	Screw w/ flange	3	
5	976535	Hex socket screw M7x16	6	
6	GU98230612	Screw	6	
7	976481	Screw w/ flange	6	
8	976484	Conical spring washer 8,2X15	1	
9	B013036	Clutch drive tapped	1	
10	976564	Bush	1	
11	GU14085900	Bush	2	
12	976593	Rod L=mm183	1	
12	976594	Rod L=mm184,5	1	
12	976595	Rod L=mm186	1	
12	976596	Rod L=mm187,5	1	
13	B013037	Clutch gear	1	
14	976696	Engine bearing set	1	

<b>Group</b>	ENGINE
<b>Code</b>	34.59
<b>Description</b>	Transmission cage
<b>Service</b>	1



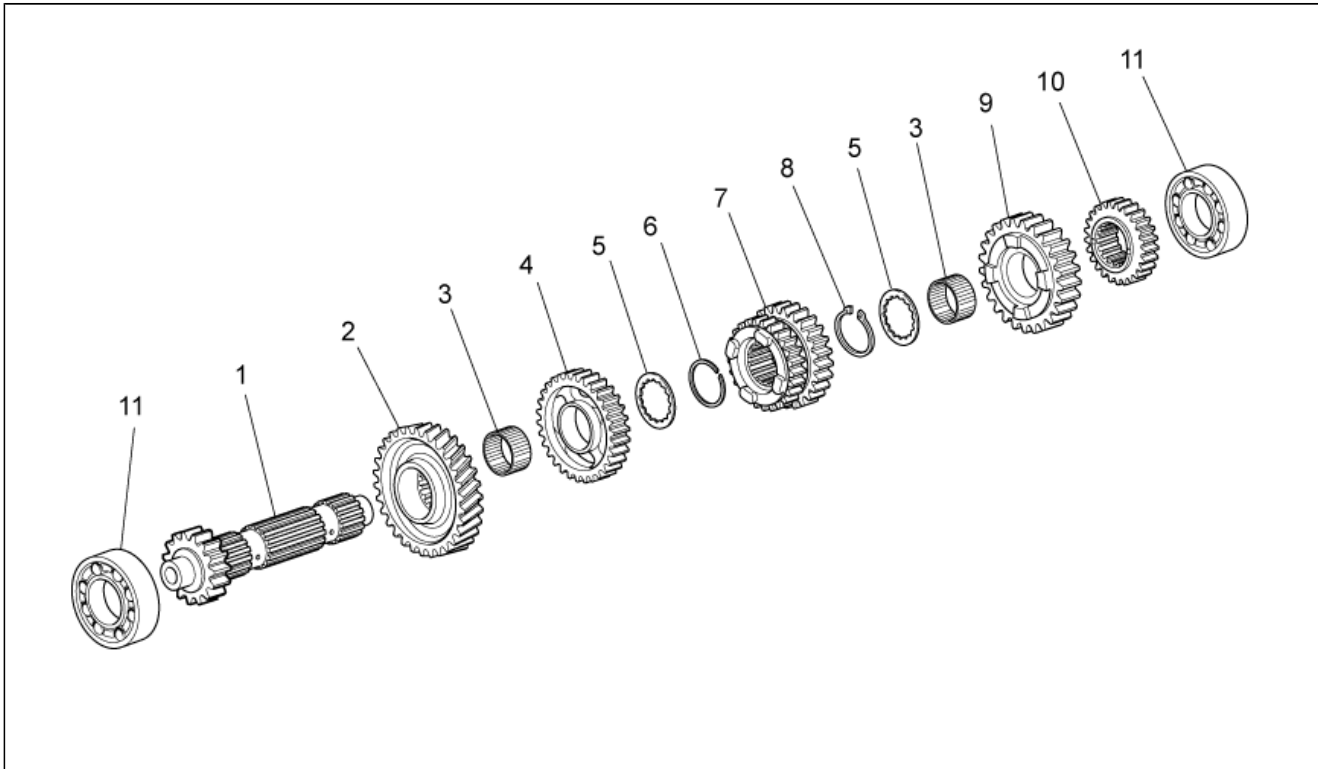
Pos.	Code	Description	Qty	Variants
1	879871	Clutch drum	1	
2	GU97202355	Screw w/ flange M6x55	14	
3	GU93180220	Plug	1	
4	GU98370616	Hex socket screw	3	
5	879869	Transmission cage	1	
6	GU95980319	Oil plug M18x1,5	1	
7	GU18144350	Washer 18,25x24x1	1	
8	GU05204930	Breather plug	1	
9	GU01528930	Gasket 10x18x1,5	2	
10	GU19207220	Sensor	1	
11	GU12154200	Gasket 8,25x15x1	1	
12	GU90401424	Gasket ring 14x24x7	1	
13	GU31003766	Oil unload plug	1	
14	GU19002020	Bush 6,6x9x13	2	
15	AP8101595	Hose clamp D10,1*	1	
16	896544	Fuel pipe 5,5x10	1	
17	976976	Gearbox assy	1	

<b>Group</b>	ENGINE
<b>Code</b>	34.60
<b>Description</b>	Gear box selector
<b>Service</b>	1



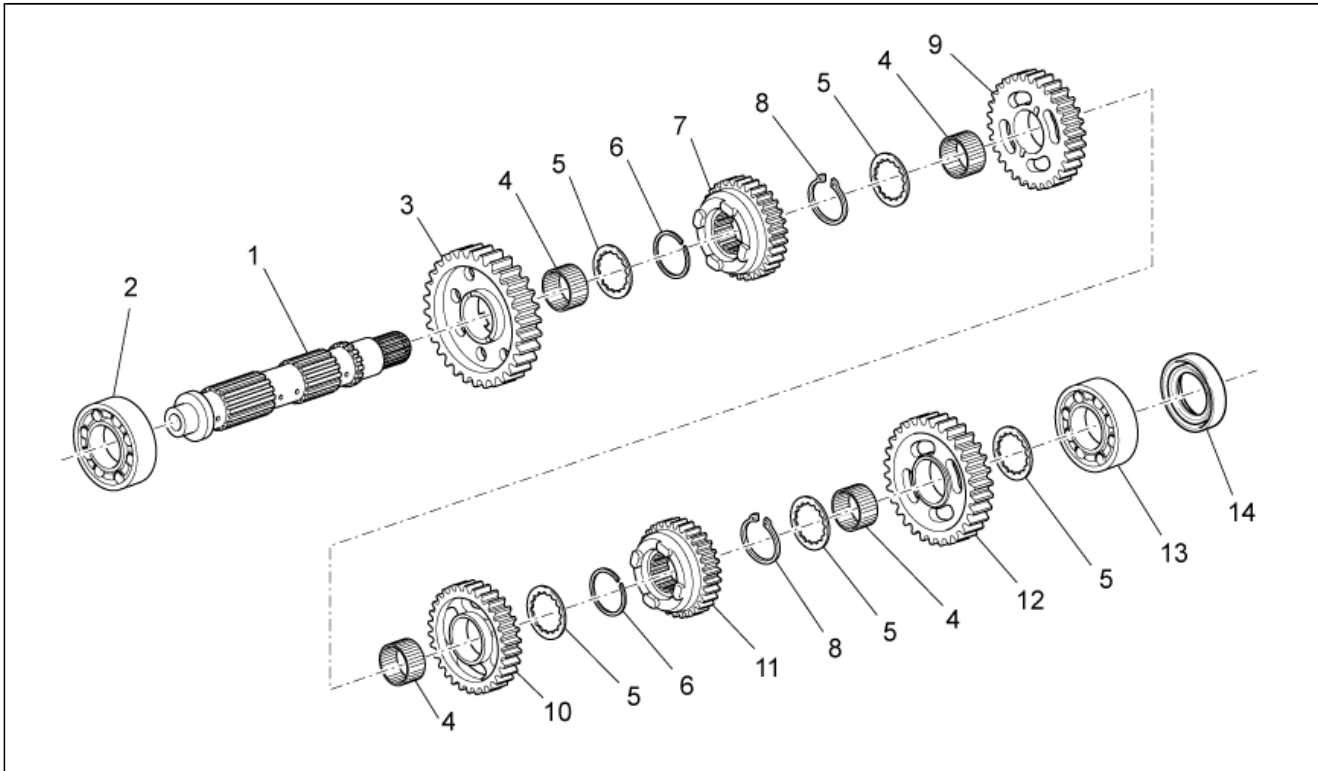
Pos.	Code	Description	Qty	Variants
1	GU05234431	Shift cam cpl.	1	
2	GU05234631	Pin	6	
3	GU05235531	Spacer	1	
4	GU90271022	Circlip	1	
5	GU92201117	Ball bearing 17x35x10	1	
6	GU92201025	Ball bearing 25x42x9	1	
7	GU05236231	Preselection complete	1	
8	GU05238231	Spring	1	
9	GU05238431	Bush	1	
10	GU05234731	Lever Index	1	
11	GU05234130	Spring	1	
12	GU05234230	Spacer	1	
13	GU05234931	Fixing pin	1	
14	GU05238331	Spring	1	
15	GU05238131	Spacer	1	
16	GU90271014	Circlip	2	
17	GU05239330	Fifth wheel	1	
18	GU05230531	Fork 1a-3a	1	
19	GU05232431	Fork shaft	1	
20	GU05232631	Fork 5a-6a	1	
21	GU05230831	Fork 2a-4a	1	
22	GU90353014	Circlip	1	

<b>Group</b>	ENGINE
<b>Code</b>	34.61
<b>Description</b>	Primary gear shaft
<b>Service</b>	1



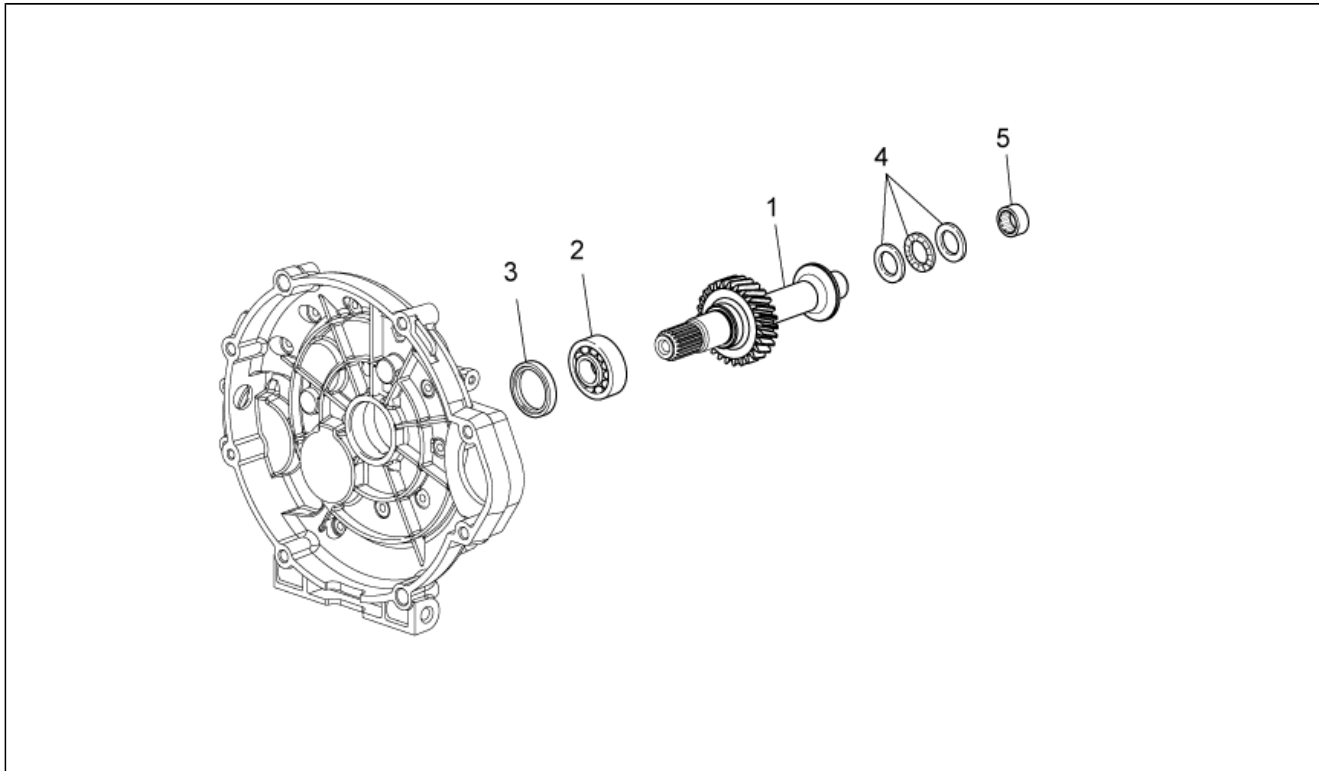
Pos.	Code	Description	Qty	Variants
1	GU05210631	Primary gear shaft Z=17	1	
2	GU06215600	Drive gears Z=35	1	
3	GU92252029	Roller cage 26x30x15,6	2	
4	976177	Gear 5a Z=31	1	
5	GU05214630	Clearance washer	2	
6	GU90271230	Snap ring 30x1,2SW	1	
7	GU05211431	Gear 3a-4a Z=23-26	1	
8	GU90271030	Snap ring 30x27,9	1	
9	976179	Gear 6a Z=30	1	
10	GU05211331	Gear 2a Z=20	1	
11	GU92201822	Ball bearing 20x52x15	2	

<b>Group</b>	ENGINE
<b>Code</b>	34.62
<b>Description</b>	Driven shaft
<b>Service</b>	1



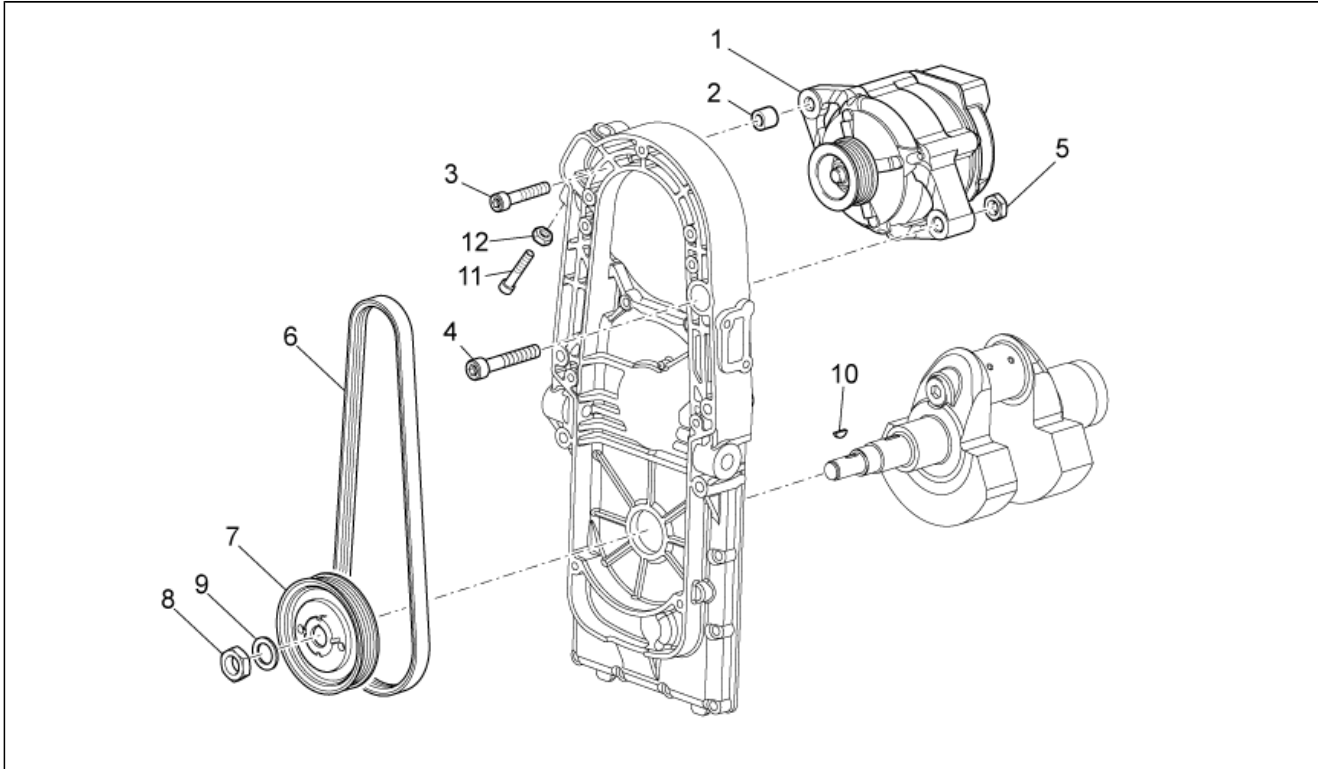
Pos.	Code	Description	Qty	Variants
1	GU05213631	Driven shaft	1	
2	GU92201822	Ball bearing 20x52x15	1	
3	GU05214231	Gear 1a Z=38	1	
4	GU92252029	Roller cage 26x30x15,6	4	
5	GU05214630	Clearance washer	5	
6	GU90271230	Snap ring 30x1,25W	2	
7	976178	Gear 5a Z=29	1	
8	GU90271030	Snap ring 30x27,9	2	
9	GU05214731	Gear 3a Z=31	1	
10	GU05215031	Gear 4a Z=29	1	
11	976180	Gear 6a Z=24	1	
12	GU05214431	Gear 2a Z=34	1	
13	GU92201226	Ball bearing 25x52x15	1	
14	GU90412541	Gasket ring 25X40X7	1	

<b>Group</b>	ENGINE
<b>Code</b>	34.63
<b>Description</b>	Clutch shaft
<b>Service</b>	1



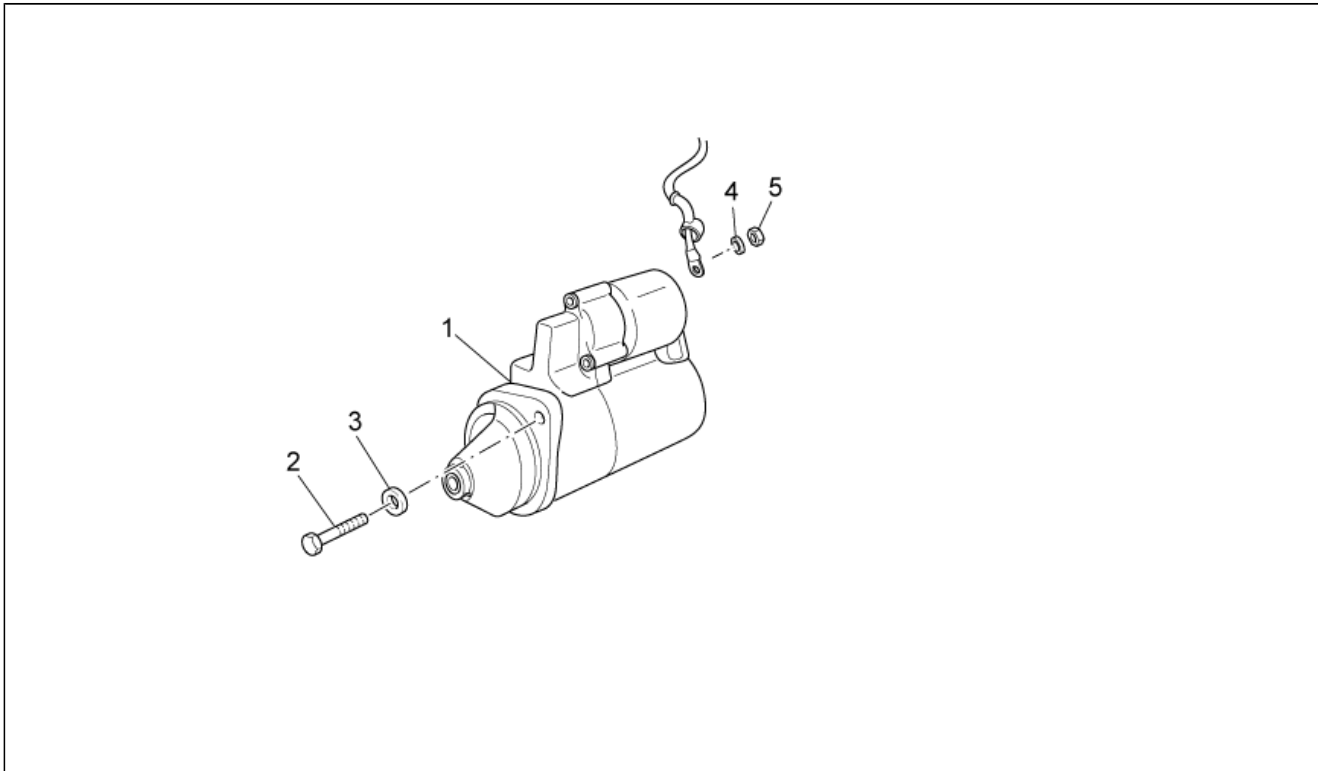
Pos.	Code	Description	Qty	Variants
1	976352	Clutch shaft Z=24	1	
2	GU92201226	Ball bearing 25x52x15	1	
3	976533	Gasket ring 25x47x7	1	
4	976532	Thrust bearing	1	
5	GU92232028	Roller bearing 20x28x13	1	

<b>Group</b>	ENGINE
<b>Code</b>	34.64
<b>Description</b>	Current generator
<b>Service</b>	1



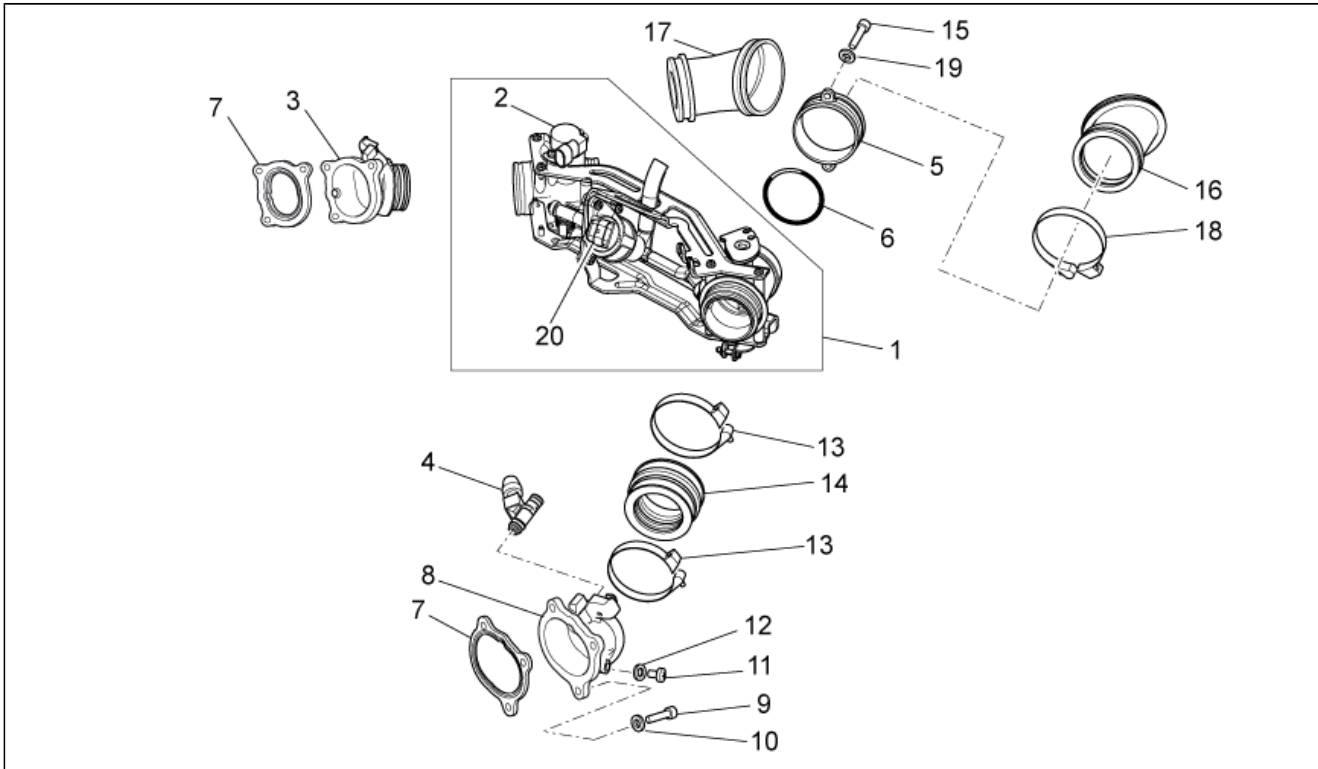
Pos.	Code	Description	Qty	Variants
1	886255	Generator	1	
2	GU91180823	Spacer 8,5x17x13	1	
3	GU98620445	Hex socket screw	1	
4	GU98620560	Hex socket screw M10x60	1	
5	GU92660012	Nut M10X1,5	1	
6	GU05702530	Belt	1	
7	GU05701430	Generator lever pulley	1	
8	GU92606516	Nut M16	1	
9	GU30714201	Washer 16,25x24,5x5	1	
10	GU4FAN000030	Flywheel magneto key	1	
11	GU98230850	Hex socket screw	1	
12	GU92605408	Nut M8x1,25	1	

<b>Group</b>	ENGINE
<b>Code</b>	34.65
<b>Description</b>	Starter motor
<b>Service</b>	1



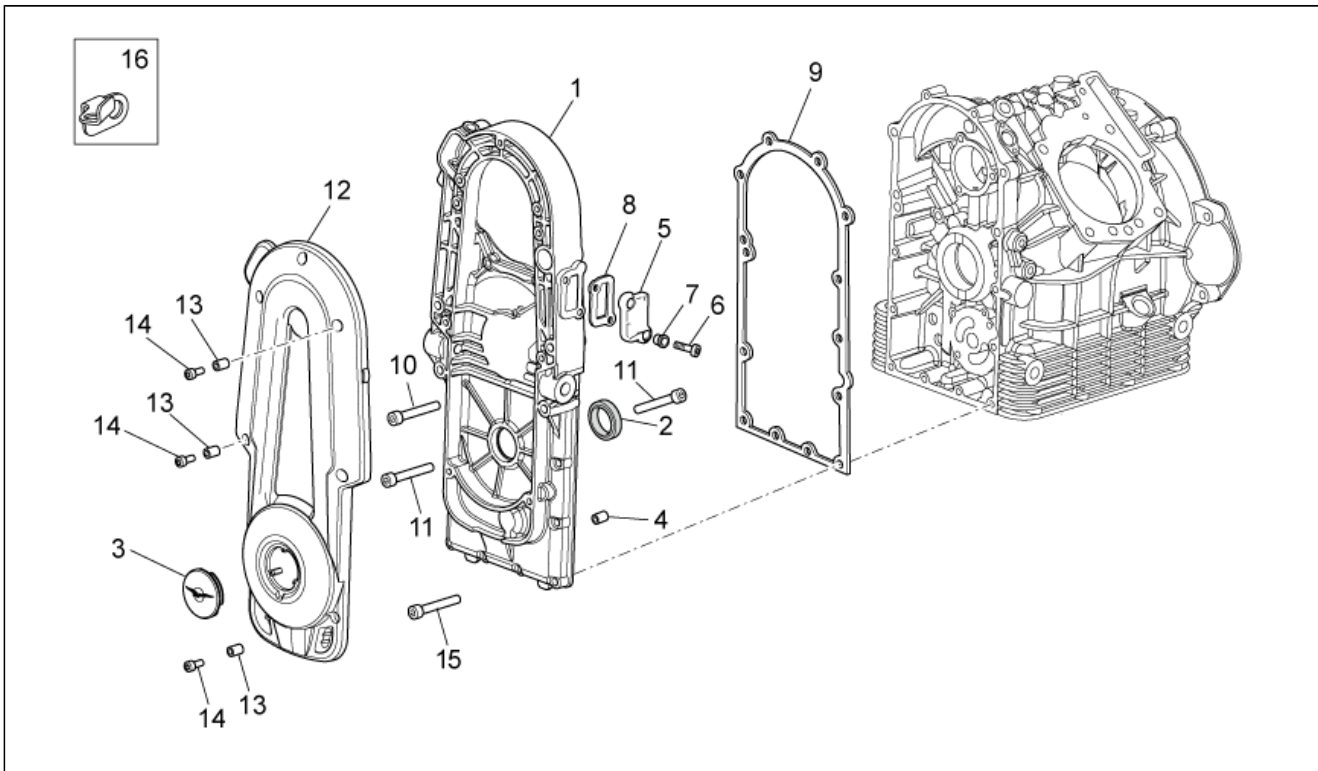
Pos.	Code	Description	Qty	Variants
1	GU05730730	Starter motor Bosch	1	
2	GU98082475	Screw	2	
3	GU03270300	Washer 8,4x15	2	
4	GU95129131	Washer 8,4x15x1,7	1	
5	GU92609408	Nut M8x1,25	1	

<b>Group</b>	ENGINE
<b>Code</b>	34.66
<b>Description</b>	Throttle body
<b>Service</b>	1



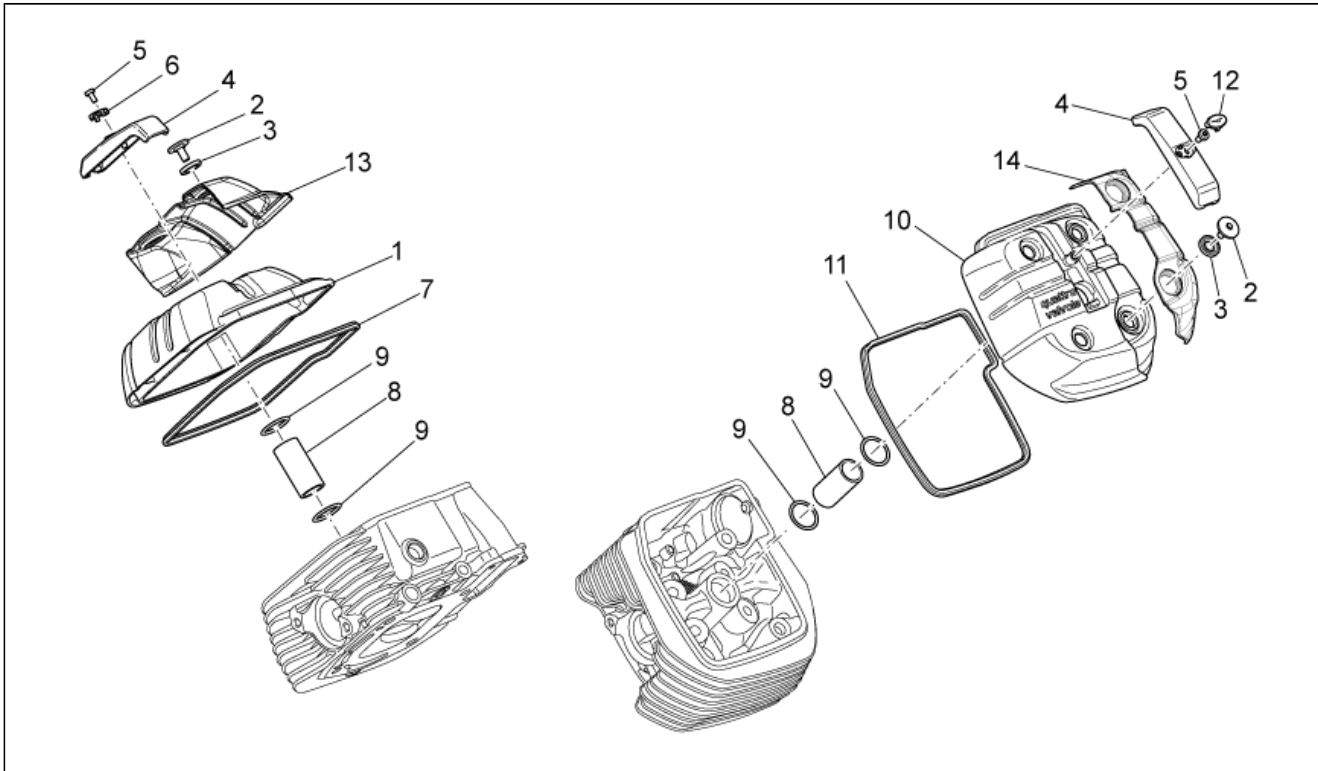
Pos.	Code	Description	Qty	Variants
1	880270	Throttle body	1	
2	981010	Potentiometer	1	
3	879878	RH manifold	1	
4	CM074706	Injector kit complete	2	
5	976498	Flange	2	
6	976566	O-ring 53,7x1,78	2	
7	873879	Inl. manifold gasket	2	
8	879877	LH manifold	1	
9	GU98370625	Hex socket screw	6	
10	GU95008206	Washer 6,15x11x0,8	6	
11	GU98350310	Hex socket screw M6x20	2	
12	GU95100116	Washer 6,25x10x1,5	2	
13	GU93305061	Hose clamp 61/65,5	4	
14	873861	Hose	2	
15	GU98682212	Hex socket screw	2	
16	883316	Intake hose RH	1	
17	883315	Intake hose LH	1	
18	GU93306050	Clamp 50x90x9	2	
19	GU95008305	Washer 5,3X10X1	2	
20	896540	Min.regulation engine	1	

<b>Group</b>	ENGINE
<b>Code</b>	34.67
<b>Description</b>	Crank-case II
<b>Service</b>	1



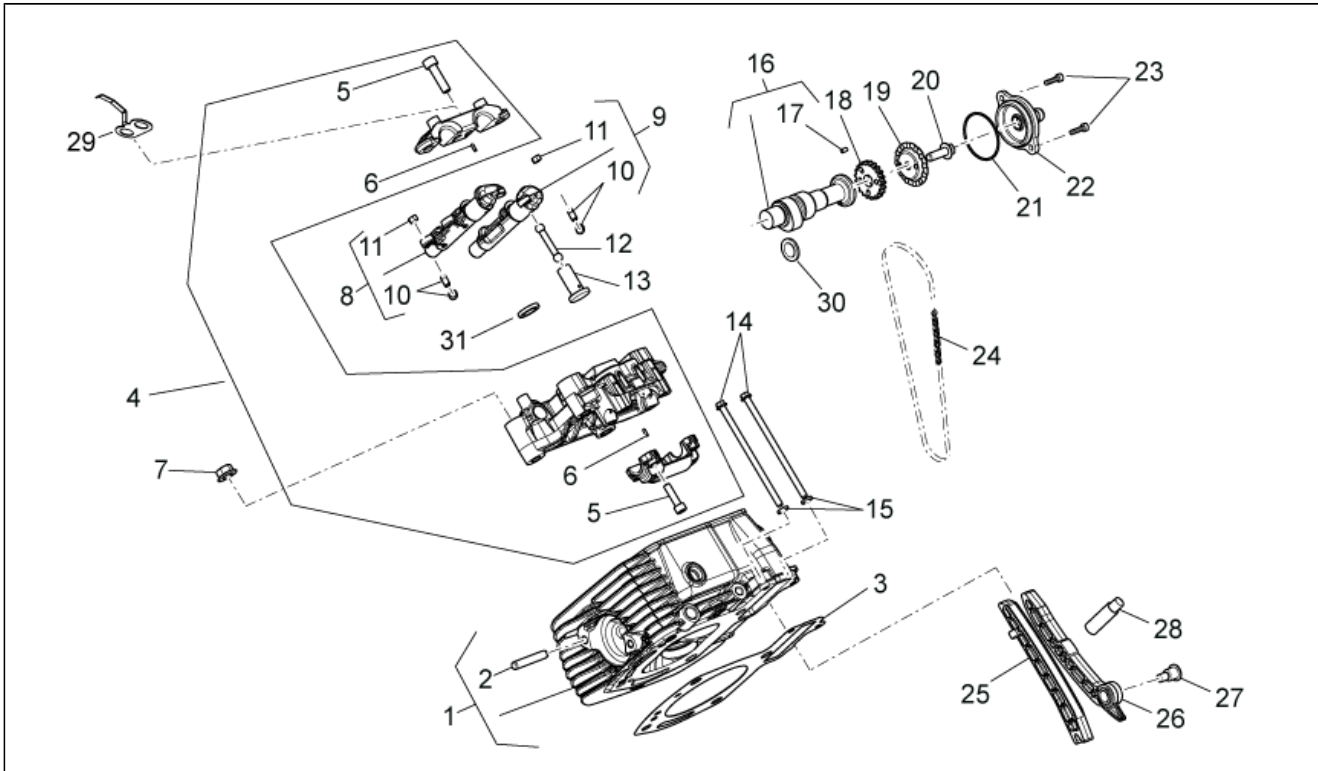
Pos.	Code	Description	Qty	Variants
1	879876	Timing system cover	1	
2	GU90412237	Gasket ring 22x35x7viton	1	
3	GU05002130	Plug	1	
4	825597	Pin 11,8X10	2	
5	976554	Plug	1	
6	GU98682320	Hex socket screw M6x20	2	
7	GU91120607	Bush 6,4x8,4x10,5	2	
8	177408	Ring	1	
9	976478	Cover gasket	1	
10	AP8150046	Hex socket screw M8x55	4	
11	GU98620330	Screw	9	
12	GU05001630	Alternator cover grey	1	
13	GU91120606	Bush 6,8x8,8x5,8	6	
14	GU98682316	Hex socket screw M6x16	5	
15	GU98620335	Screw	1	
16	GU06765500	Fairlead	1	

<b>Group</b>	ENGINE
<b>Code</b>	34.68
<b>Description</b>	Head cover
<b>Service</b>	1



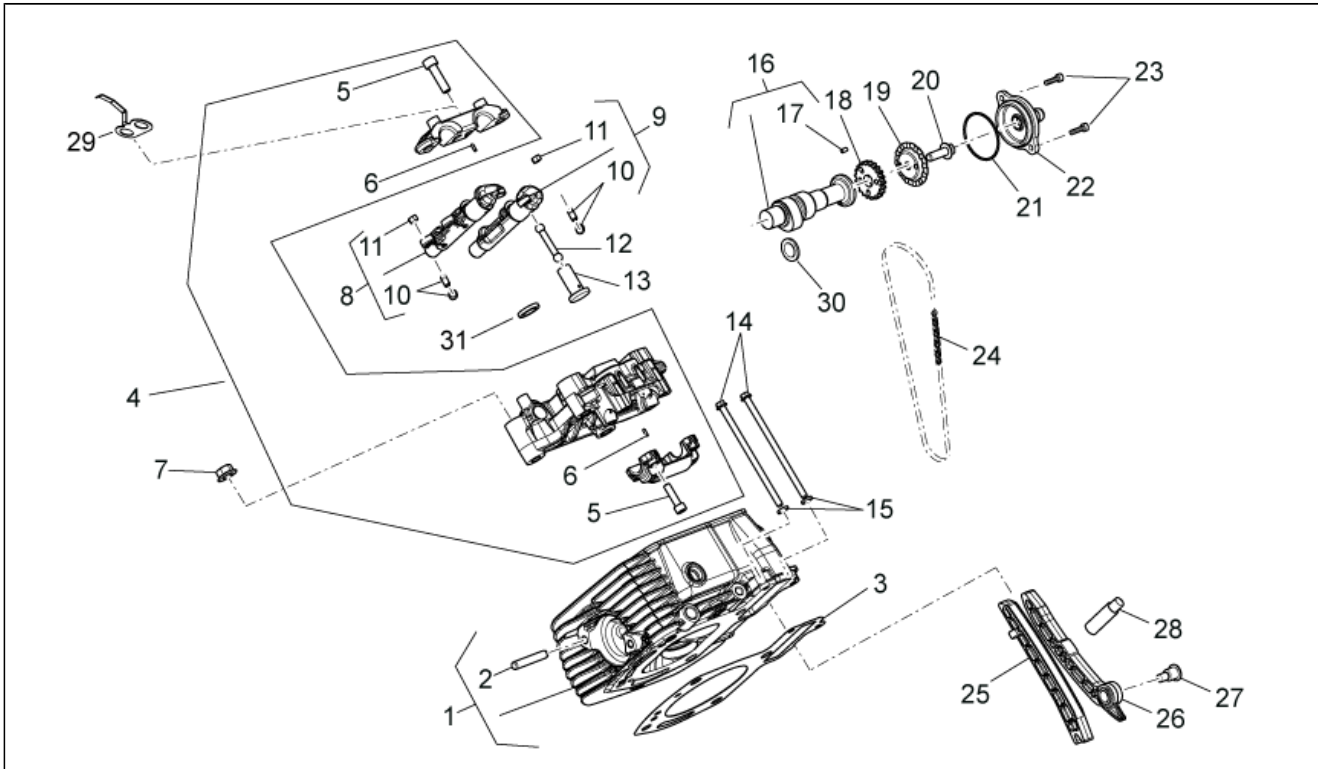
Pos.	Code	Description	Qty	Variants
1	880124	RH Head cover	2	
2	976591	Special screw	8	
3	879975	Damper drift	8	
4	883493	Spark plug cover	2	
5	GU98230510	Hex socket screw	2	
6	976560	RH Name plate "Moto Guzzi"	1	
7	872742	RH gasket	1	
8	879987	Spark plug pipe	2	
9	873626	O-ring 26X2,5	4	
10	880123	LH Head cover	1	
11	872741	LH gasket	1	
12	976559	LH Name plate "Moto Guzzi"	1	
13	883629	RH rear wall	1	
14	883630	LH rear wall	1	

<b>Group</b>	ENGINE
<b>Code</b>	34.71
<b>Description</b>	RH cylinder timing system
<b>Service</b>	1



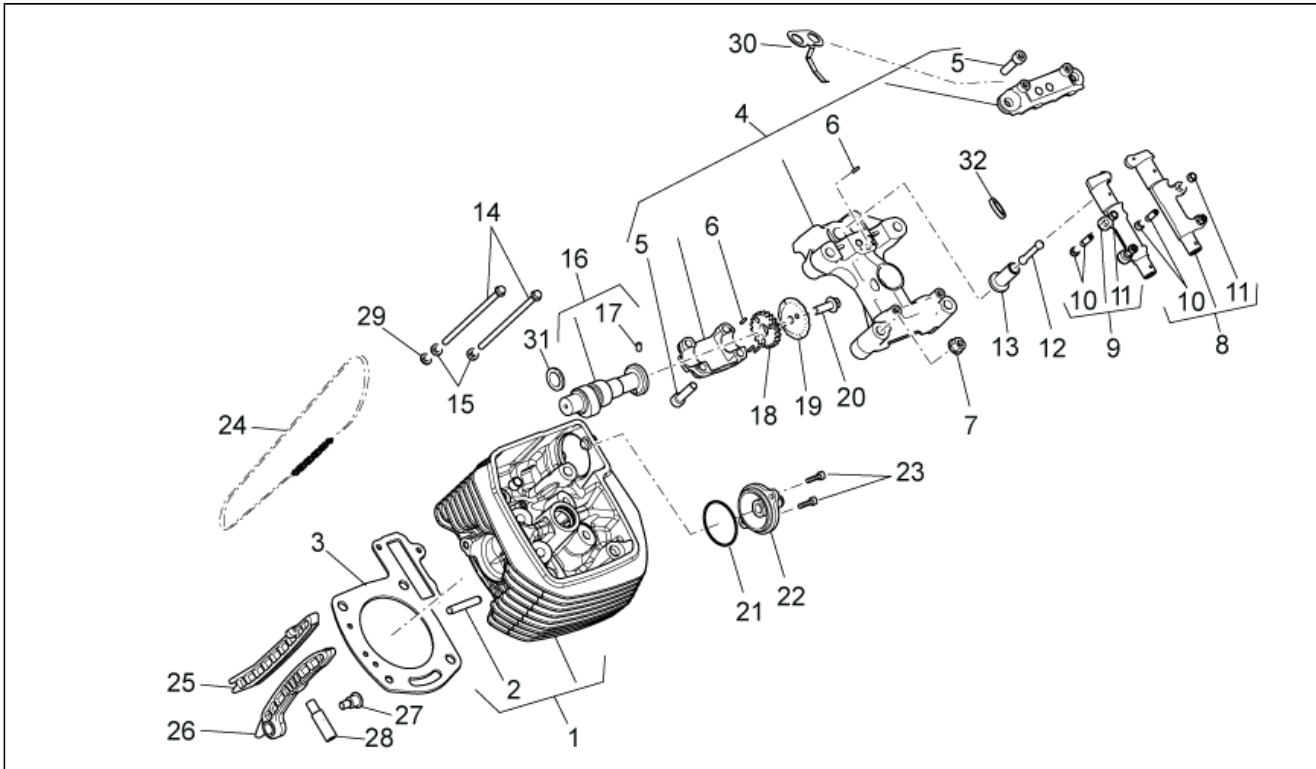
Pos.	Code	Description	Qty	Variants
1	879866	RH cylinder head	1	
2	827018	Stud bolt M8X3X46	4	
3	874621	Cylinder head gasket 0,65 mm	2	
3	874622	Cylinder head gasket 0,85 mm	2	
3	976311	Cylinder head gasket 1,05 mm	2	
4	880879	RH.Rocker arm support	1	
5	015792	Screw	6	
6	872759	Pin D. 2,5	4	
7	833520	Nut M10X1,25 6H	4	
8	976359	Rocker arm assy.	1	
9	976360	Rocker arm assy.	1	
10	873850	Adjuster screw	4	
11	484819	Nut	4	
12	873631	Rocker arm rod	2	
13	878751	Tappet closing	2	
14	487444	Screw w/ flange M6x120	2	
15	976674	Plain washer 12x6,1x2	2	
16	B014223	Asse a camme con P.I.	1	
17	976589	Pin	1	
18	976350	Timing gear	1	
19	874601	sheet oil breather	1	
20	843060	Screw w/ flange	1	
21	880965	Gasket ring 2,62x46,52	1	
22	B013479	Breather cover cpl.	1	
23	875173	Vite testa bombata torx	2	
24	976341	Camshaft chain	1	
25	976338	Chain guide plate	1	
26	976337	Chain tensioner sliding block	1	

<b>Group</b>	ENGINE
<b>Code</b>	34.71
<b>Description</b>	RH cylinder timing system
<b>Service</b>	1



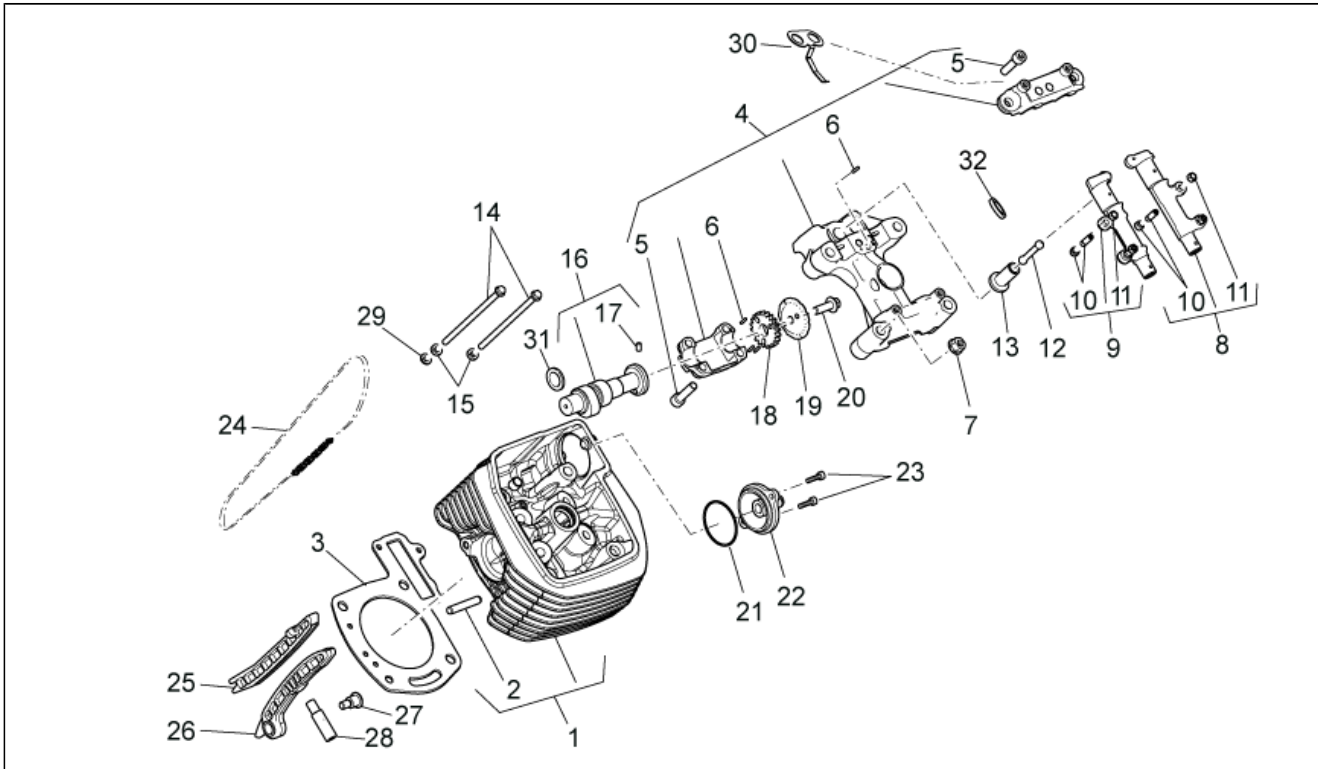
Pos.	Code	Description	Qty	Variants
27	878868	Spacer screw M8	1	
28	873689	RH chain tensioner	1	
29	B013661	Plate	1	
30	CM162701	Spacer 1,02	1	
30	CM162702	Spacer 1,05	1	
30	CM162703	Spacer 1,08	1	
30	CM162704	Spacer 1,11	1	
30	CM162705	Spacer 1,14	1	
31	880127	Gasket	1	

<b>Group</b>	ENGINE
<b>Code</b>	34.72
<b>Description</b>	LH cylinder timing system
<b>Service</b>	1



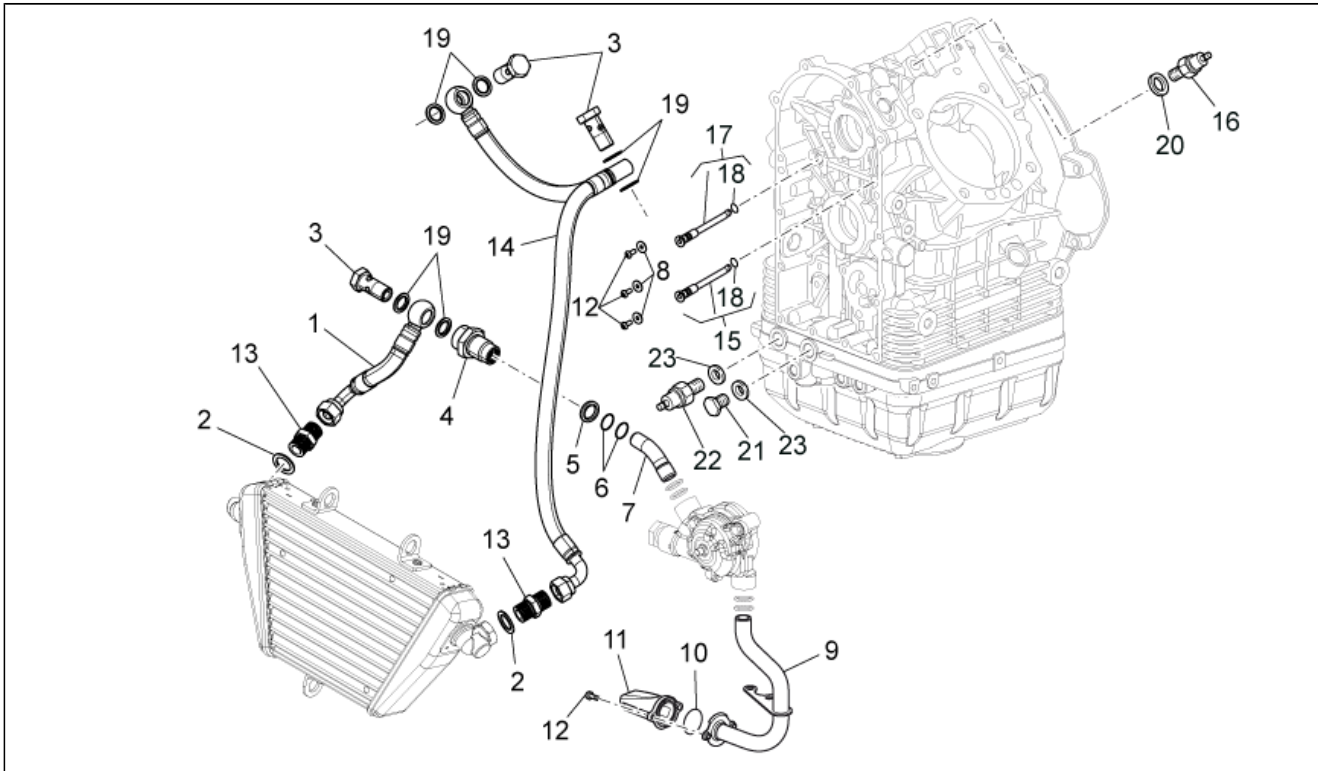
Pos.	Code	Description	Qty	Variants
1	879931	LH cylinder head	1	
2	827018	Stud bolt M8X3X46	4	
3	874621	Cylinder head gasket 0,65 mm	2	
3	874622	Cylinder head gasket 0,85 mm	2	
3	976311	Cylinder head gasket 1,05 mm	2	
4	880881	LH.Rocker arm support	1	
5	015792	Screw	6	
6	872759	Pin D. 2,5	4	
7	833520	Nut M10X1,25 6H	4	
8	976359	Rocker arm assy.	1	
9	976360	Rocker arm assy.	1	
10	873850	Adjuster screw	4	
11	484819	Nut	4	
12	873631	Rocker arm rod	2	
13	878751	Tappet closing	2	
14	487444	Screw w/ flange M6x120	2	
15	976674	Plain washer 12x6,1x2	2	
16	B014223	Asse a camme con P.I.	1	
17	976589	Pin	1	
18	976350	Timing gear	1	
19	874601	sheet oil breather	1	
20	843060	Screw w/ flange	1	
21	880965	Gasket ring 2,62x46,52	1	
22	B013479	Breather cover cpl.	1	
23	875173	Vite testa bombata torx	1	
24	976341	Camshaft chain	1	
25	976338	Chain guide plate	1	
26	976337	Chain tensioner sliding block	1	

<b>Group</b>	ENGINE
<b>Code</b>	34.72
<b>Description</b>	LH cylinder timing system
<b>Service</b>	1



Pos.	Code	Description	Qty	Variants
27	878868	Spacer screw M8	1	
28	873690	LH chain tensioner	1	
29	244585	Spacer	1	
30	B013661	Plate	1	
31	CM162701	Spacer 1,02	1	
31	CM162702	Spacer 1,05	1	
31	CM162703	Spacer 1,08	1	
31	CM162704	Spacer 1,11	1	
31	CM162705	Spacer 1,14	1	
32	880127	Gasket	1	

<b>Group</b>	ENGINE
<b>Code</b>	34.73
<b>Description</b>	Lubrication
<b>Service</b>	1



Pos.	Code	Description	Qty	Variants
1	897599	Pipe	1	
2	GU01154230	Gasket	2	
3	874223	Bored screw	3	
4	874669	Nipple	1	
5	976592	Gasket	1	
6	434947	O-ring 12,42x1	2	
7	874646	Oil pipe	1	
8	013763	Washer 4,2x12x1	3	
9	874645	Intake pipe	1	
10	969323	O-ring	1	
11	874655	Intake oil filter	1	
12	621914	Screw	5	
13	GU01161331	Reduction	2	
14	886122	Oil return pipe	1	
15	976680	LH Nozzle	1	
16	978854	Pressure sensor	1	
17	976681	RH Nozzle	1	
18	874238	O-ring	4	
19	976597	Copper gasket	6	
20	GU12006400	Gasket 12,25	1	
21	GU95980216	Plug	1	
22	642077	Thermal switch	1	
23	GU01154230	Gasket	2	



<b>Group</b>	SPECIAL TOOLS
<b>Code</b>	36.67
<b>Description</b>	Specific tools I
<b>Service</b>	1

# Special Tools

Pos.	Code	Description	Qty	Variants
1	020677Y	Belt tensioning tool	1	
2	GU05911730	Front cover installation cone	1	
3	AP9100838	Valve spring comp insert	1	
4	020716Y	Connecting rod stopper	1	
5	020470Y	Tool for piston pin catch ass.	1	
6	GU05927230	Timing cover seal drift	1	
7	GU01929100	Wrench remov.cover sump/filter	1	
8	GU12912000	Flange flywheel side	1	
9	GU14927100	Seal ring onto flange fly.side	1	
10	GU12911801	Lock flywh.starter motor gear	1	
11	AP8140179	Bow for valve assy&disassy	1	
12	020672Y	Clutch spring comp insert	1	
13	GU05902530	Gearbox housing support	1	
14	GU19929600	Index plate tim.sett./ign.cont	1	
15	GU17947560	Arrow tim.set.ignition control	1	
16	020673Y	Index plate hub	1	
17	GU12913600	Flange removal flywheel side	1	
18	GU19927100	Seal ring flange flywheel side	1	
19	020674Y	Piston ring spanner	1	
20	020675Y	Service shaft gear ret.	1	
21	020676Y	Piston pos.dial gauge supp.	1	
22	020678Y	Clutch rod inspection tool	1	
23	020689Y	Extractor spark plug cap	1	
24	GU14912603	Key	1	



<b>Group</b>	SPECIAL TOOLS
<b>Code</b>	36.68
<b>Description</b>	Specific tools II
<b>Service</b>	1

# Special Tools

Pos.	Code	Description	Qty	Variants
1	AP8140145	Tool oil seal assy $\varnothing$ 41 mm	1	
1	AP8140190	Steering lock tool	1	
2	AP8140146	Weight for AP8140189	1	
2	GU05902732	Handle for drifts	1	
3	AP8140147	Tool for spacer stop	1	
3	GU05902733	Ball joint seal drift	1	
4	AP8140148	Separator plate for spacer	1	
4	GU05902731	Transmis.box oil seal drift 85	1	
5	AP8140149	Protection for disassembly op	1	
5	GU05902735	Sprocket oil seal drift 45x58	1	
6	AP8140150	Tool to assist bleeding air	1	
6	GU05902734	Wrench for sprocket ring nut	1	
7	AP8140151	SHOWA FORKS TOOL KIT	1	
7	GU05902730	Transmission box support	1	
8	GU05902736	Bevel gears support	1	